

**NOTES:**

EXISTING BRIDGE DATA IS BASED ON THE BEST INFORMATION AVAILABLE.

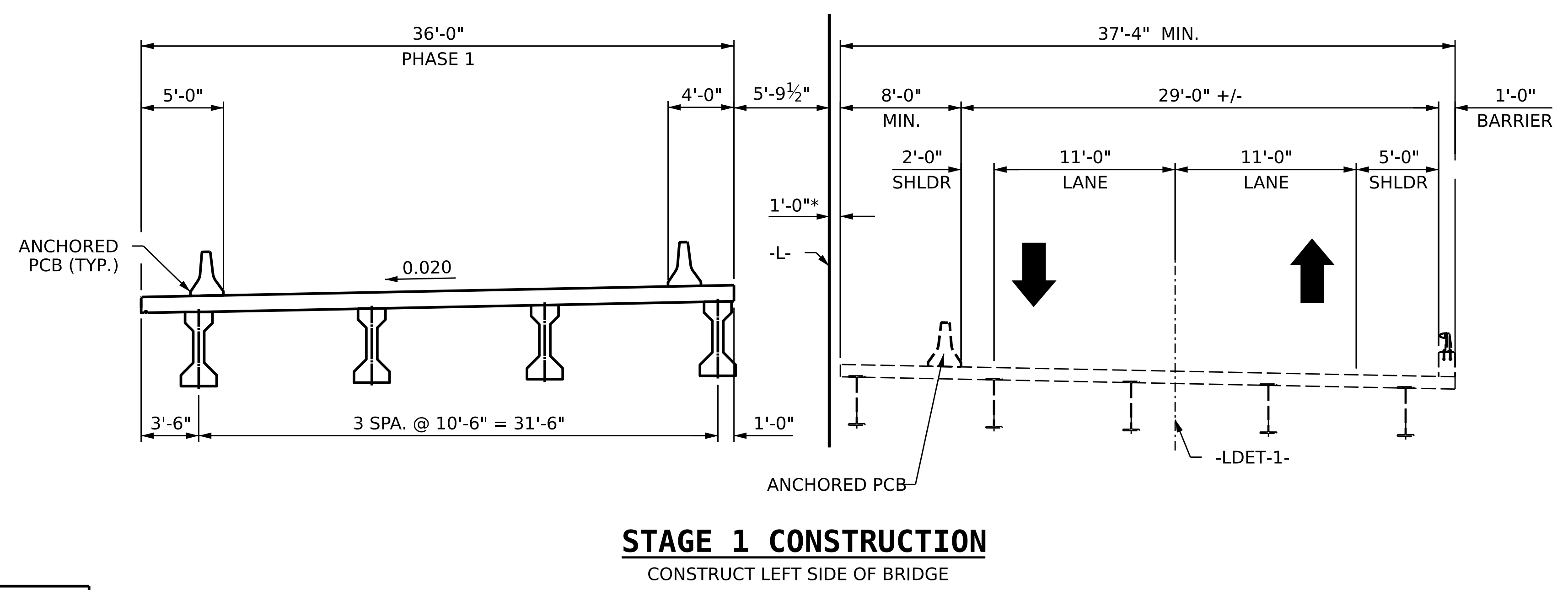
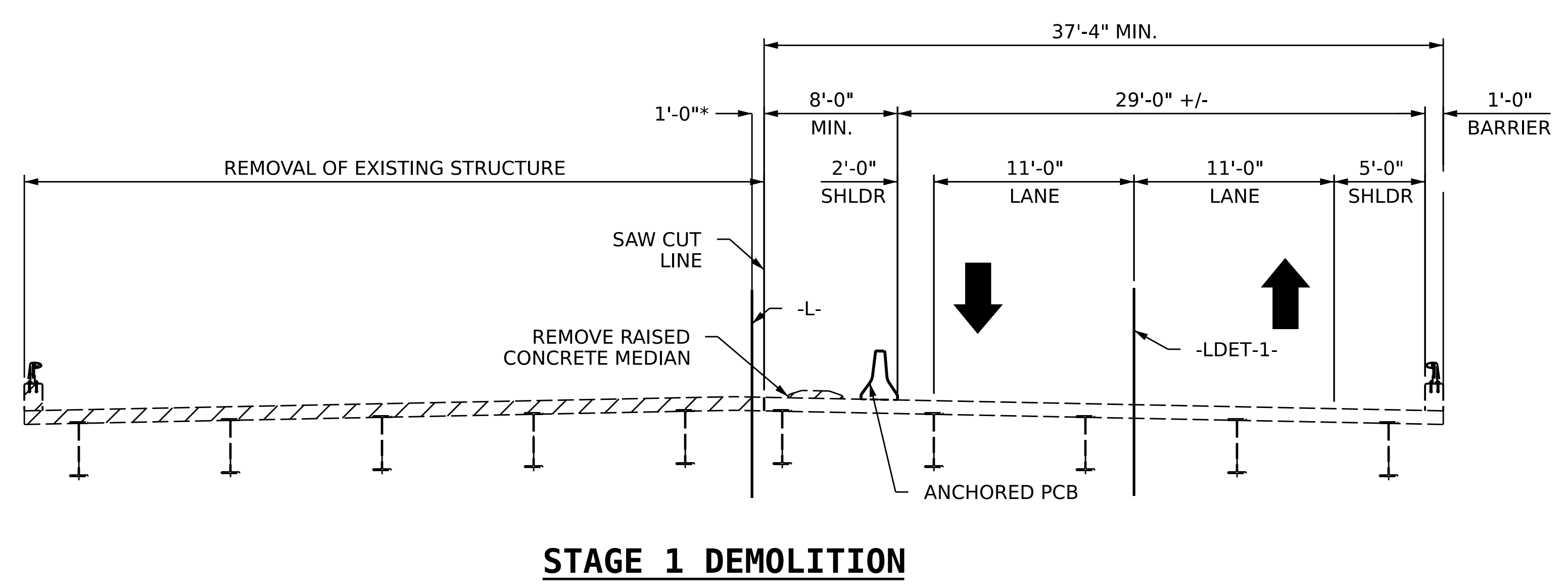
PCB: PORTABLE CONCRETE BARRIER

FOR MANAGEMENT OF TRAFFIC, SEE TRANSPORTATION MANAGEMENT PLANS.

EXISTING BRIDGE DEMOLITION

\* THIS VALUE IS SHOWN FOR THE CONVENIENCE OF THE CONTRACTOR AND SHALL NOT RELIEVE THE CONTRACTOR OF ANY RESPONSIBILITY FOR THE EXISTING STRUCTURE.

THE CONTRACTOR SHALL DETERMINE THIS VALUE IN ACCORDANCE WITH THE STANDARD SPECIFICATIONS.



PROJECT NO. BR-0041  
ROCKINGHAM COUNTY  
 STATION: POT 34+73.00 -L-  
 SHEET 1 OF 3

**AECOM**  
AECOM TECHNICAL SERVICES OF NC, INC.  
 5430 WADE PARK BOULEVARD, SUITE 200  
 RALEIGH, NC 27607  
 (919) 854-6200 www.aecom.com  
 AECOM License No. F0242

**SEAL**  
 NORTH CAROLINA PROFESSIONAL ENGINEER  
 CREGORY R. COLS  
 2/19/2023

STATE OF NORTH CAROLINA  
 DEPARTMENT OF TRANSPORTATION  
 RALEIGH

GENERAL DRAWING

**CONSTRUCTION SEQUENCE**

REVISIONS						SHEET NO.
NO.	BY:	DATE:	NO.	BY:	DATE:	TOTAL SHEETS
1			3			5-06
2			4			48

DRAWN BY : B.T. LEROY DATE : 11/2022  
 CHECKED BY : S. NATARAJAN DATE : 11/2022  
 DESIGN ENGINEER OF RECORD: G. COLS DATE : 12/2022

DOCUMENT NOT CONSIDERED  
 FINAL UNLESS ALL  
 SIGNATURES COMPLETED