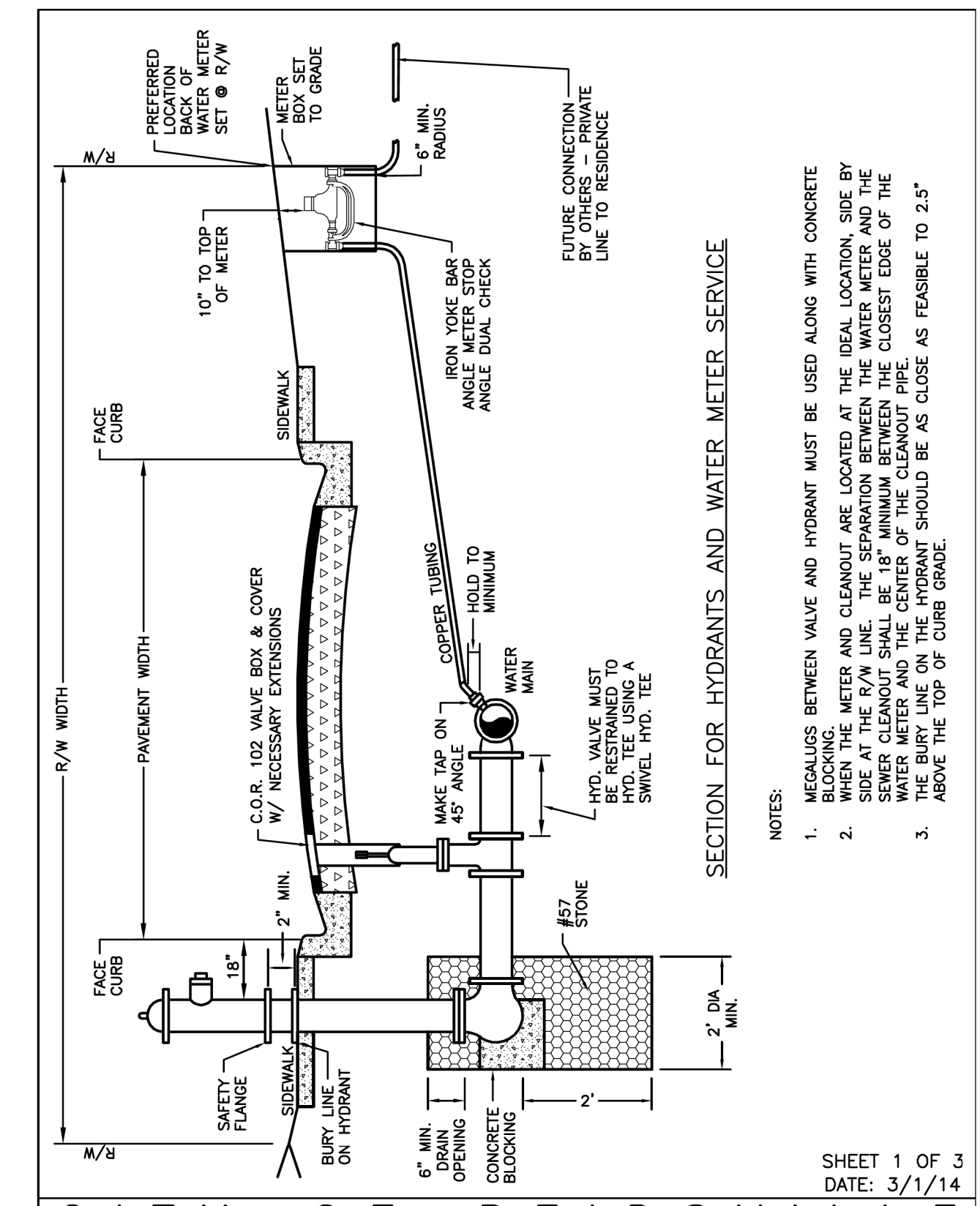


PROJECT REFERENCE NO.	BR-0041	SHEET NO.	UC-3C
DESIGNED BY:		DATE:	1/24/2023
DRAWN BY:			
CHECKED BY:			
APPROVED BY:			
REVISED:			
NORTH CAROLINA DEPARTMENT OF TRANSPORTATION		SEAL 10666	
UTILITIES ENGINEERING SEC.		STEPHEN SCRUGGS	
PHONE: (919) 707-6690		FAX: (919) 250-4151	

DOCUMENT NOT CONSIDERED FINAL  
UNLESS ALL SIGNATURES COMPLETED

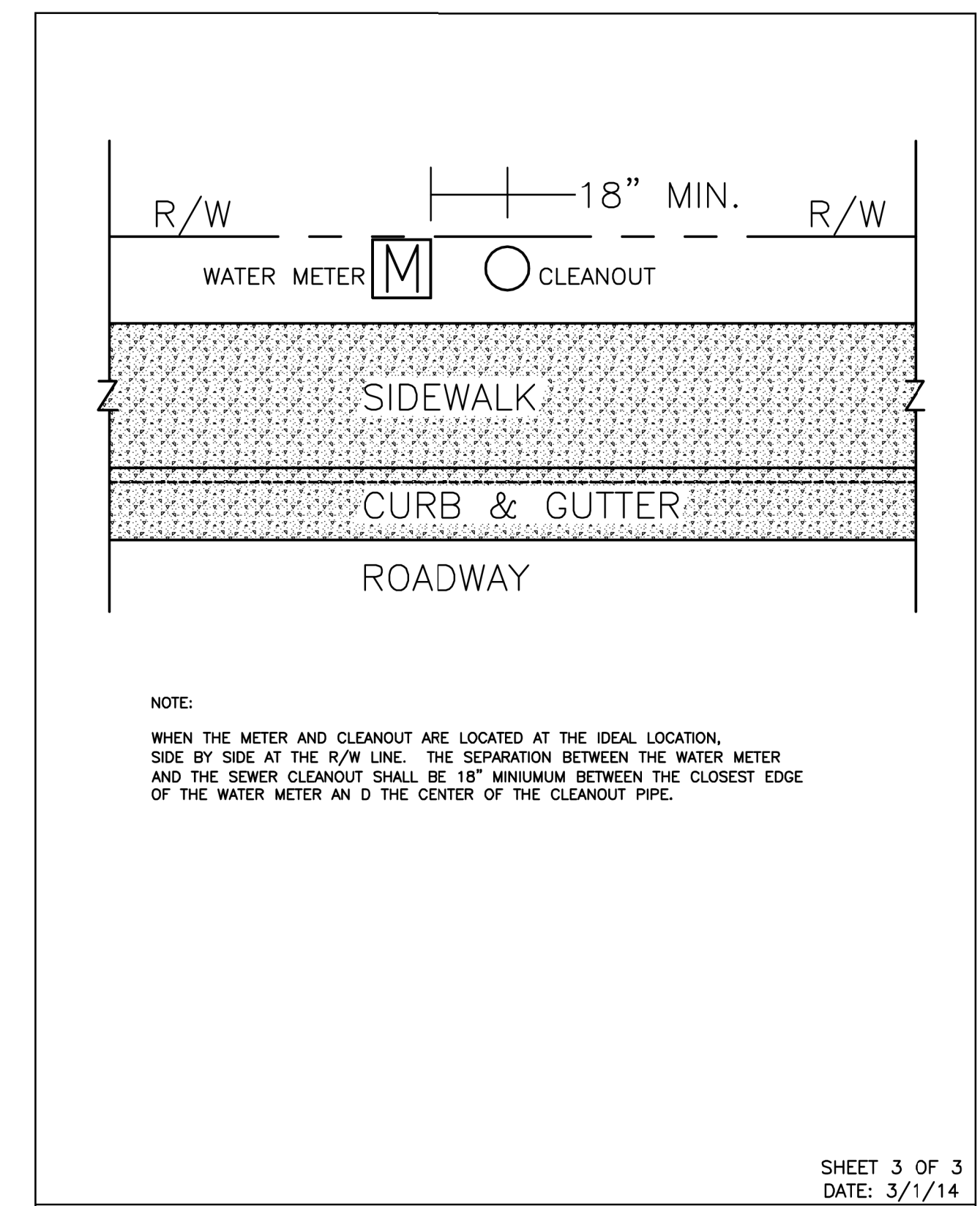
UTILITY CONSTRUCTION



SECTION FOR HYDRANTS AND WATER METER SERVICE

SHEET 1 OF 3  
DATE: 3/1/14

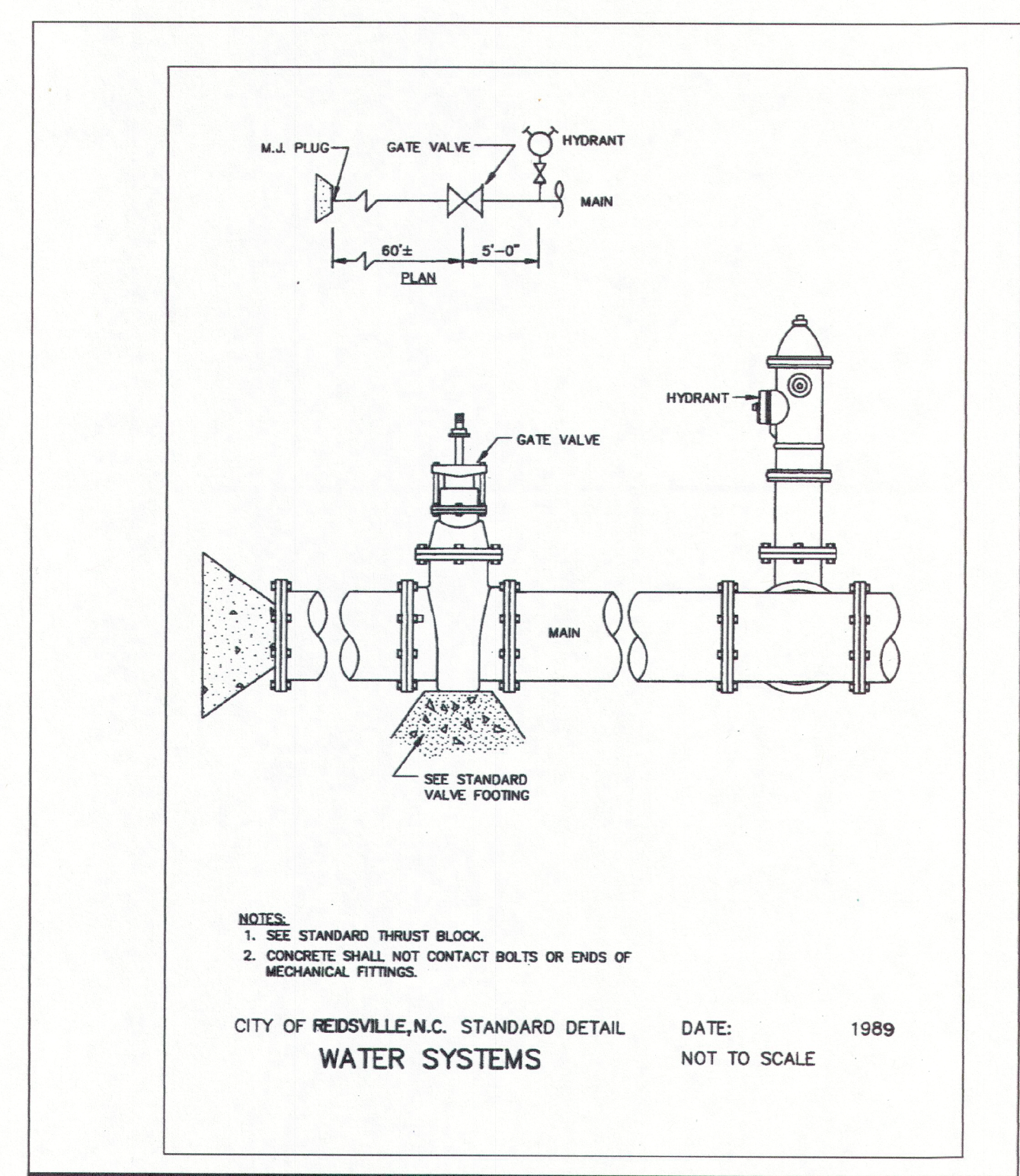
CITY OF REIDSVILLE	HOUSE CONNECTION AND HYDRANT SETTING DETAIL	STD. NO.	REV.
		101	



NOTE:  
WHEN THE METER AND CLEANOUT ARE LOCATED AT THE IDEAL LOCATION, SIDE BY SIDE AT THE R/W LINE. THE SEPARATION BETWEEN THE WATER METER AND THE SEWER CLEANOUT SHALL BE 18" MINIMUM BETWEEN THE CLOSEST EDGE OF THE WATER METER AND THE CENTER OF THE CLEANOUT PIPE.

SHEET 3 OF 3  
DATE: 3/1/14

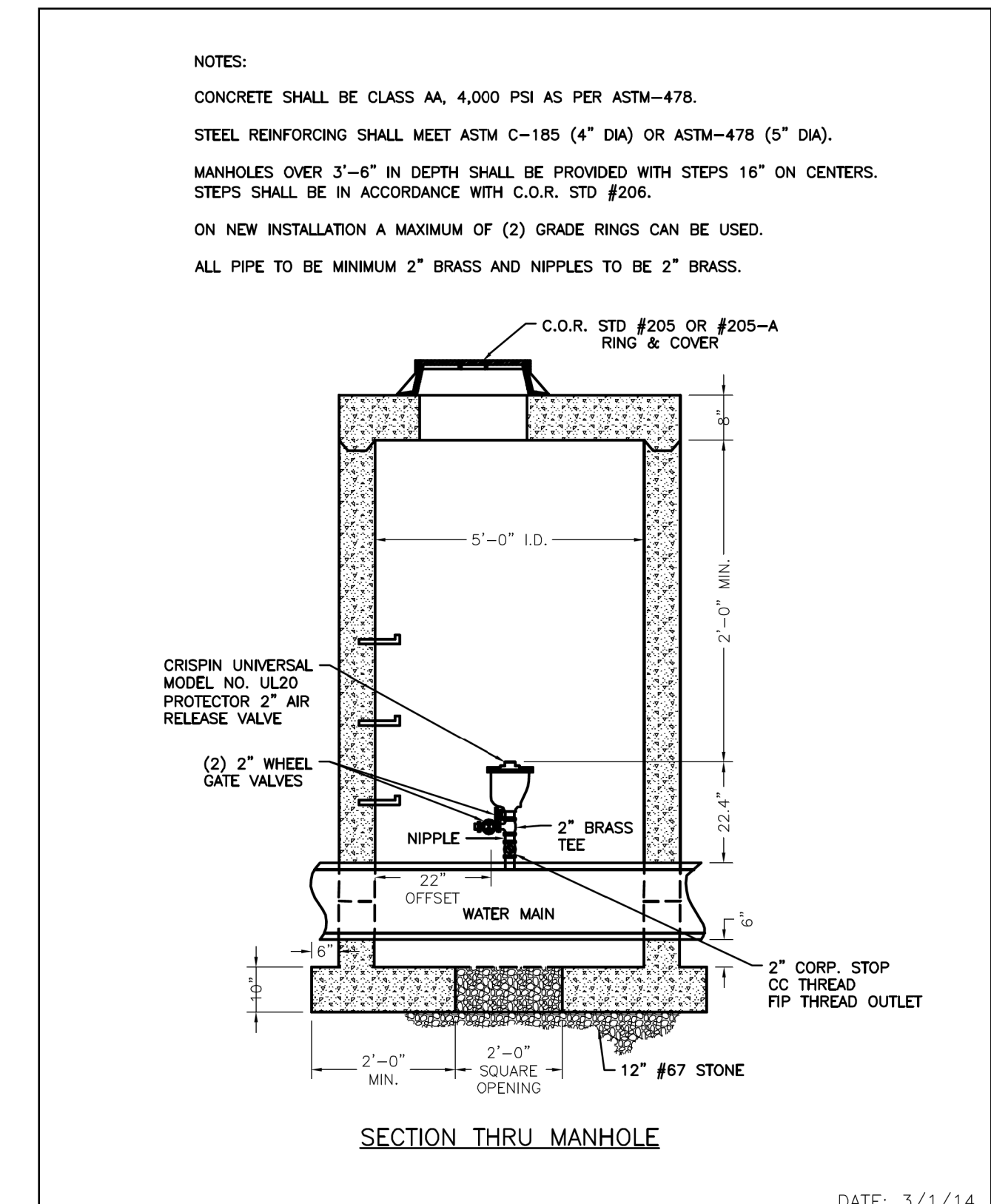
CITY OF REIDSVILLE	HOUSE CONNECTION AND HYDRANT SETTING DETAIL - PLAN VIEW	STD. NO.	REV.
		101	



NOTES:  
1. SEE STANDARD THRUST BLOCK.  
2. CONCRETE SHALL NOT CONTACT BOLTS OR ENDS OF MECHANICAL FITTINGS.

CITY OF REIDSVILLE, N.C. STANDARD DETAIL DATE: 1989  
NOT TO SCALE

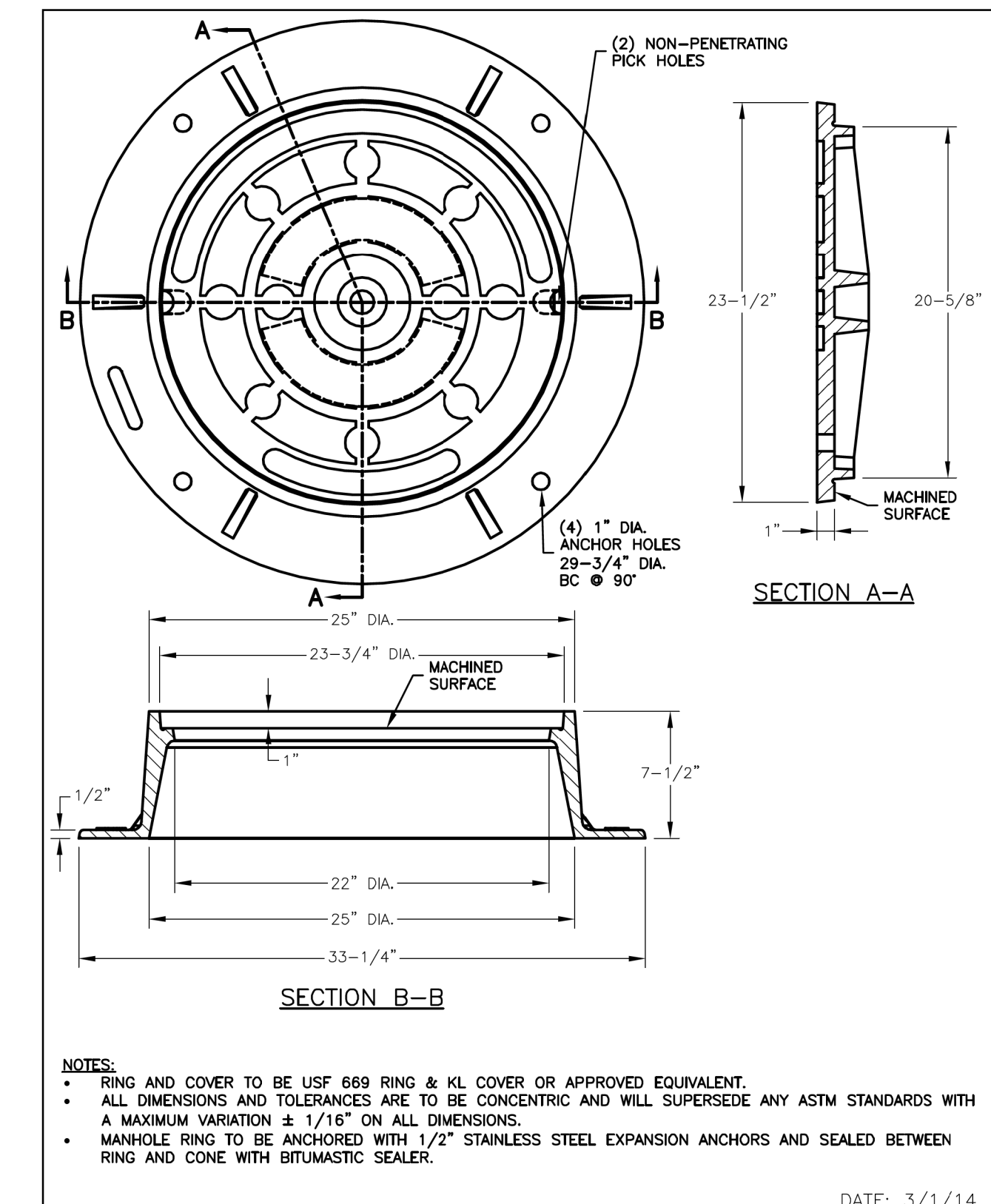
CITY OF REIDSVILLE, N.C. STANDARD DETAIL	DATE: 1989
WATER SYSTEMS	NOT TO SCALE
6" & LARGER DEAD END LINES	STANDARD 106A



NOTES:  
CONCRETE SHALL BE CLASS AA, 4,000 PSI AS PER ASTM-478.  
STEEL REINFORCING SHALL MEET ASTM C-185 (4" DIA) OR ASTM-478 (5" DIA).  
MANHOLES OVER 3'-6" IN DEPTH SHALL BE PROVIDED WITH STEPS 16" ON CENTERS. STEPS SHALL BE IN ACCORDANCE WITH C.O.R. STD #206.  
ON NEW INSTALLATION A MAXIMUM OF (2) GRADE RINGS CAN BE USED.  
ALL PIPE TO BE MINIMUM 2" BRASS AND NIPPLES TO BE 2" BRASS.

DATE: 3/1/14

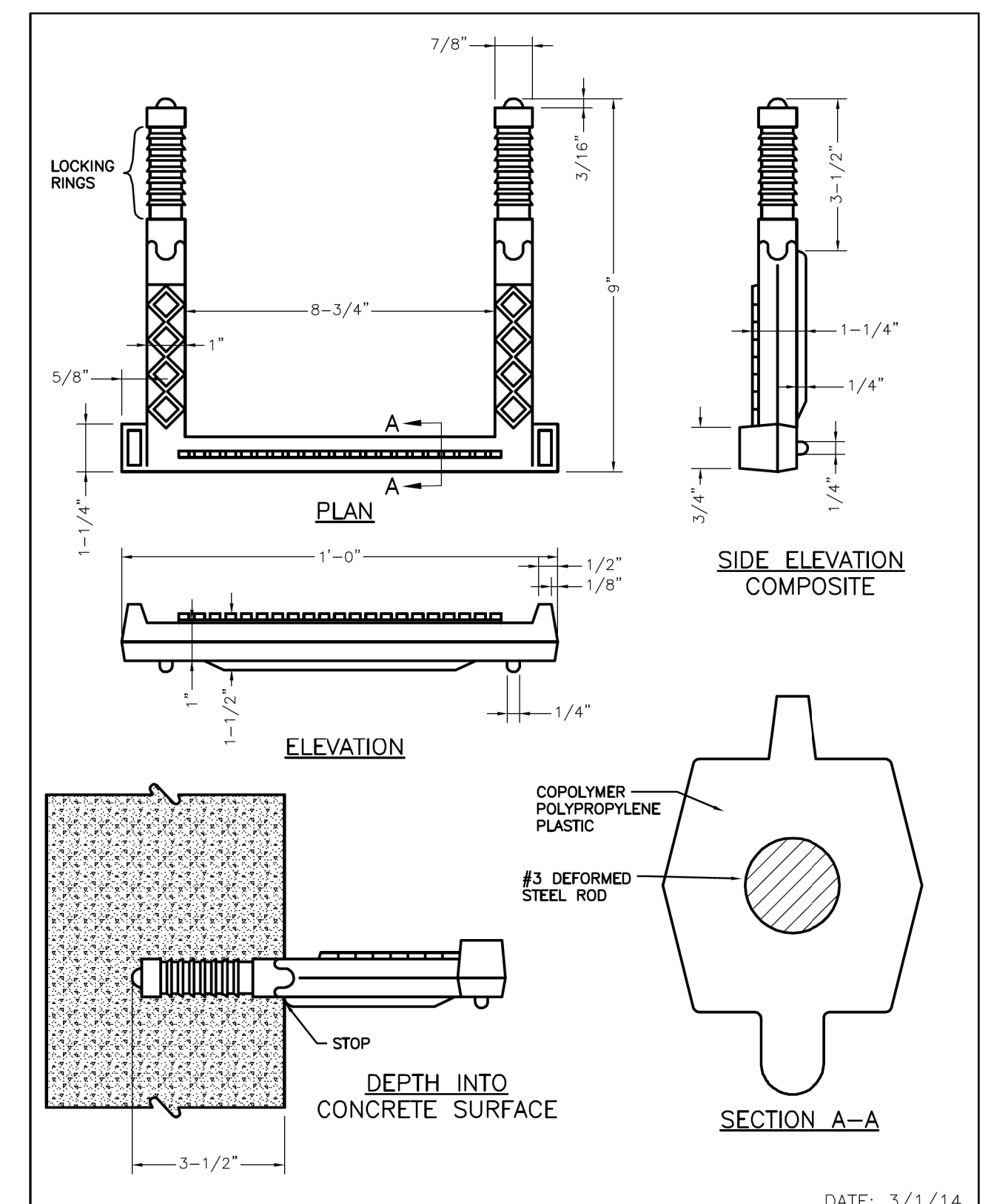
CITY OF REIDSVILLE	STANDARD AIR RELIEF VALVE WITH ASSEMBLY AND MANHOLE FOR WATER LINES	STD. NO.	REV.
		116	



NOTES:  
• RING AND COVER TO BE USF 669 RING & KL COVER OR APPROVED EQUIVALENT.  
• ALL DIMENSIONS AND TOLERANCES ARE TO BE CONCENTRIC AND WILL SUPERSEDE ANY ASTM STANDARDS WITH A MAXIMUM VARIATION ± 1/16" ON ALL DIMENSIONS.  
• MANHOLE RING TO BE ANCHORED WITH 1/2" STAINLESS STEEL EXPANSION ANCHORS AND SEALED BETWEEN RING AND CONE WITH BITUMASTIC SEALER.

DATE: 3/1/14

CITY OF REIDSVILLE	STANDARD MANHOLE RING AND COVER	STD. NO.	REV.
		205A	



COPOLYMER POLYPROPYLENE PLASTIC  
#3 DEFORMED STEEL ROD

DATE: 3/1/14

CITY OF REIDSVILLE	STANDARD MANHOLE STEP FOR PRECAST CONCRETE MANHOLE	STD. NO.	REV.
		206	