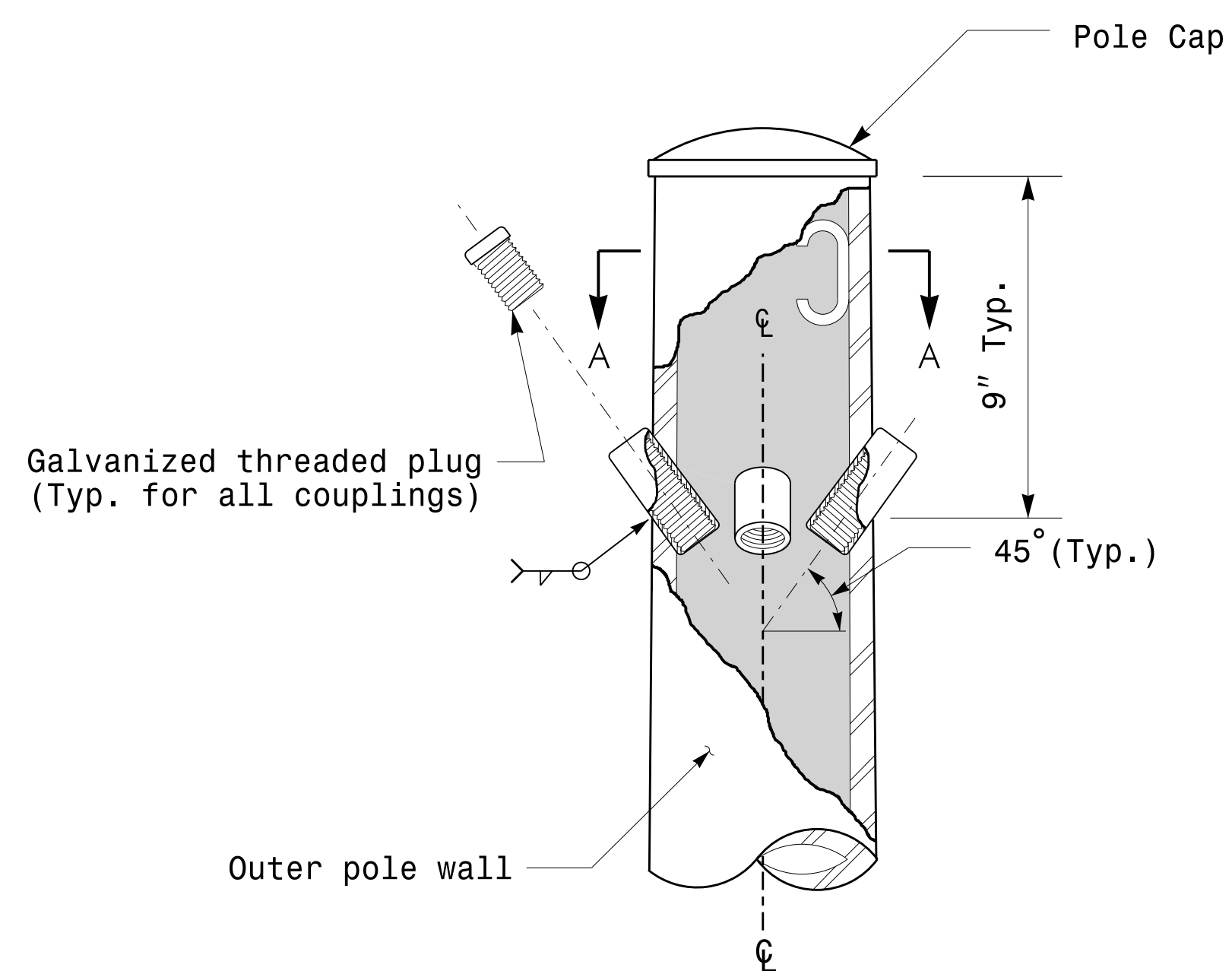
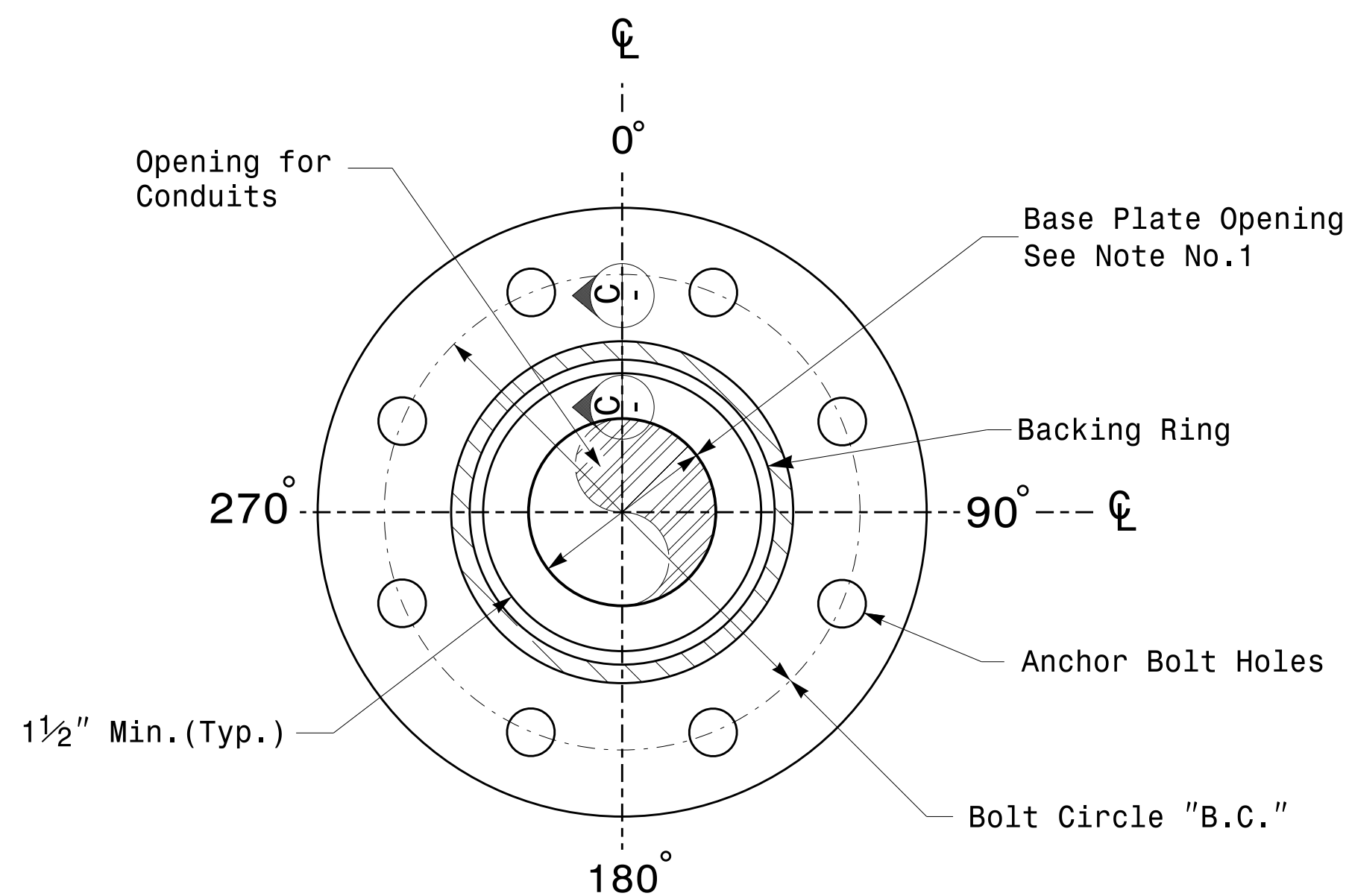


Note:
1. Opening in pole base plate shall be equal to pole base inside diameter minus 3 1/2" but shall not be less than 8 1/2".

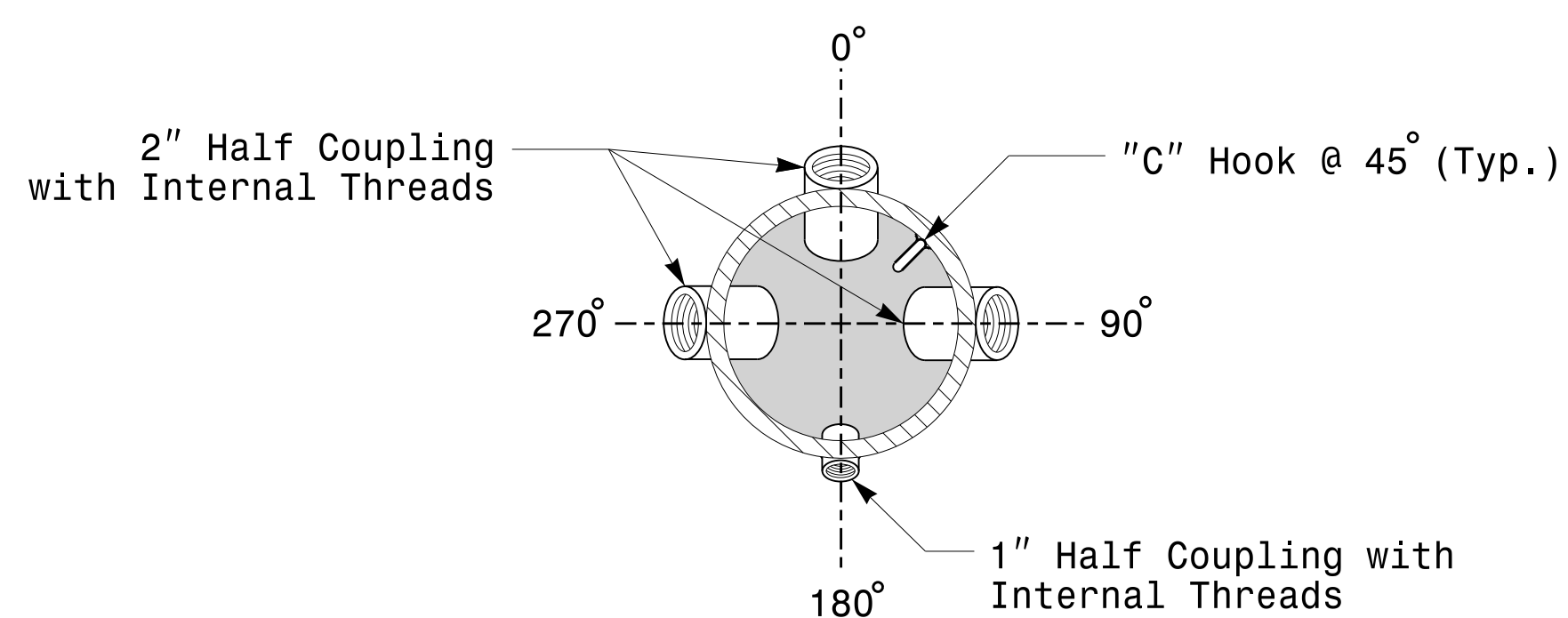


Cable Entrances at Top of Pole

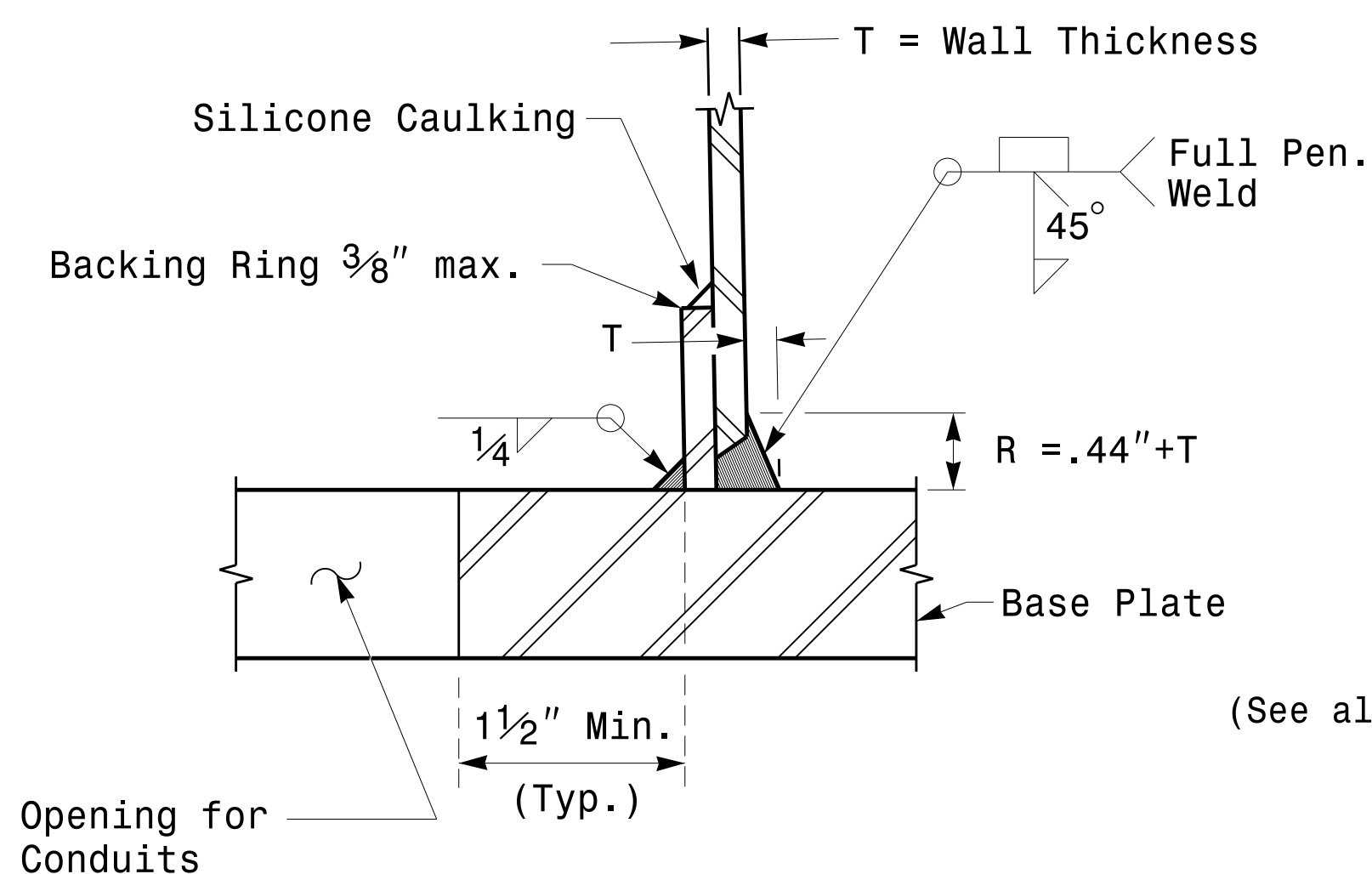


Section B-B
Pole Base Plate Details
(8 and 12 Bolt Pattern)

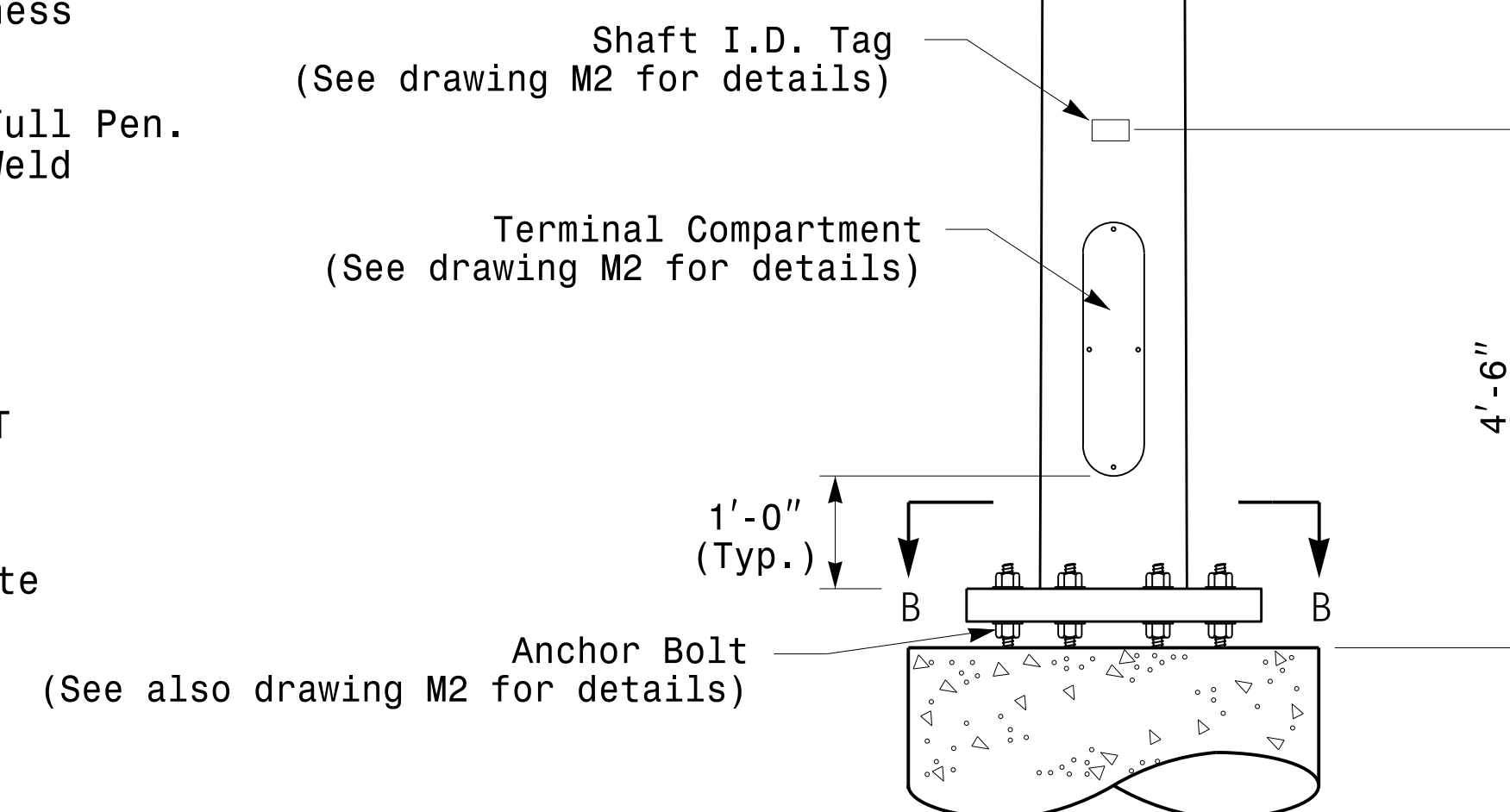
2 Cable Clamps designed for variable attachment heights from 1'-6" to 5'-0" below the top of the pole.



Section A-A
Radial Orientation for Factory Installed
Accessories at Top of Pole



Section C-C
(Pole Attachment to Base Plate)
Full-Penetration
Groove Weld Detail



Monotube Strain Pole

Prepared in the Offices of:

750 N. Greenfield Pkwy, Garner, NC 27529

SCALE: NONE

Typical Fabrication Details For Strain Poles			
PLAN DATE:	OCTOBER 2017	DESIGNED BY:	K.C. DURIGON
PREPARED BY:	N. BITTING	REVIEWED BY:	D.C. SARKAR
REVISIONS	INIT.	DATE	

SEAL

DocuSigned by: *Dibesh C. Sarkar*

10/11/2017

DATE

Fabrication Details – Strain Poles