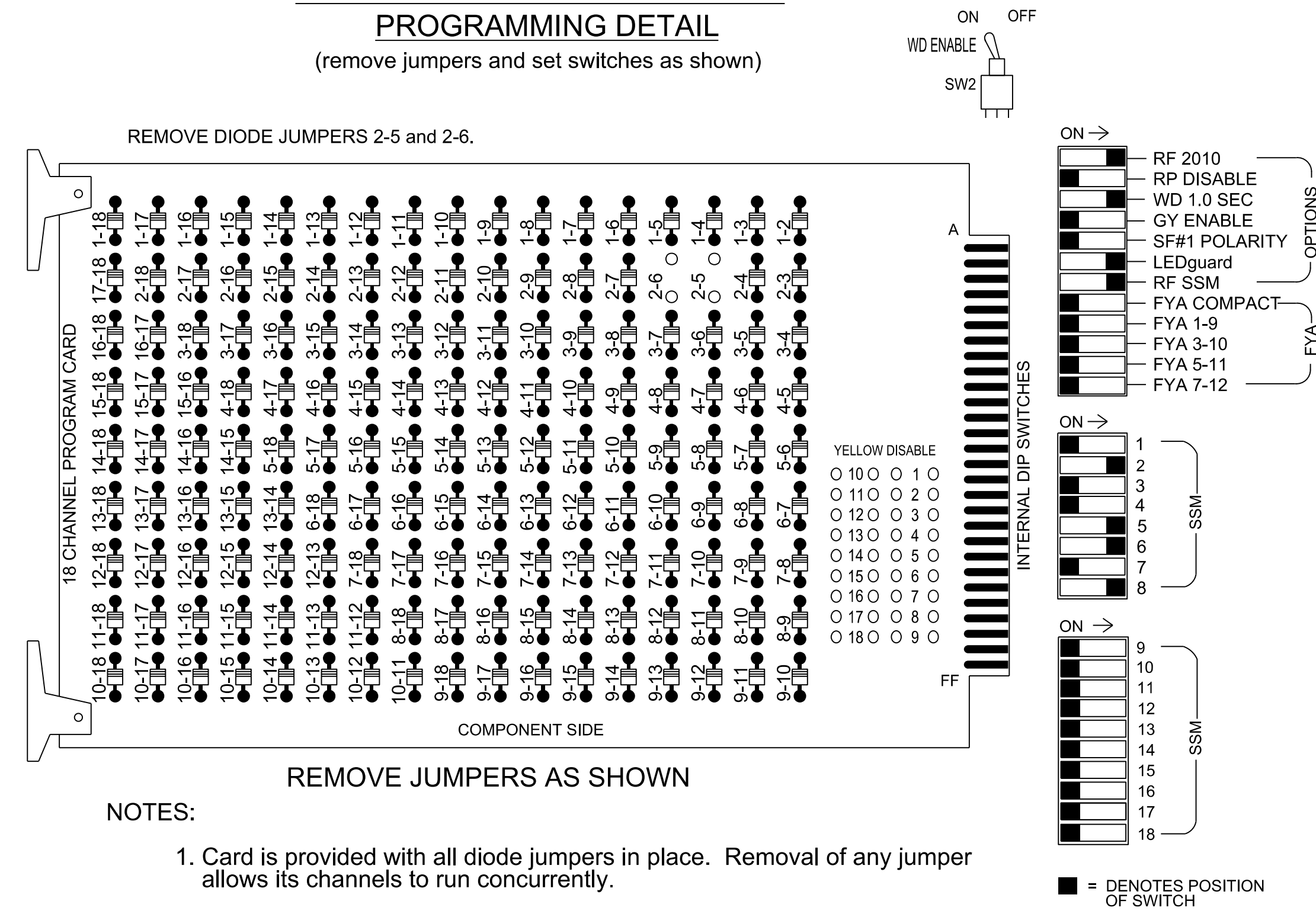


18 CHANNEL CONFLICT MONITOR PROGRAMMING DETAIL

(remove jumpers and set switches as shown)



NOTES:

- Card is provided with all diode jumpers in place. Removal of any jumper allows its channels to run concurrently.
- Ensure jumpers SEL2-SEL5 and SEL9 are present on the monitor board.
- Ensure that the Red Enable is active at all times during normal operation.
- Connect serial cable from conflict monitor to comm. port 1 of 2070 controller. Ensure conflict monitor communicates with 2070.

NOTES

- To prevent "flash-conflict" problems, insert red flash program blocks for all unused vehicle load switches in the output file. The installer shall verify that signal heads flash in accordance with the signal plan.
- Program controller to start up in phase 2 Green No Walk and 6 Green No Walk.
- If this signal will be managed by an ATMS software, enable controller and detector logging for all detectors used at this location.
- The cabinet and controller are part of NC 87/ SR 2817 (Barnes Street) Closed Loop System. Signal System #: D07-10 Reidsville.

EQUIPMENT INFORMATION

Controller.....2070LX
 Cabinet.....332 w/ Aux
 Software.....Q-Free MAXTIME
 Cabinet Mount.....BASE
 Output File Positions.....18 With Aux. Output File
 Load Switches Used.....S2, S7, S8, S11
 Phases Used.....2, 5, 6, 8
 Overlap "1".....NOT USED
 Overlap "2".....NOT USED
 Overlap "3".....NOT USED
 Overlap "4".....NOT USED

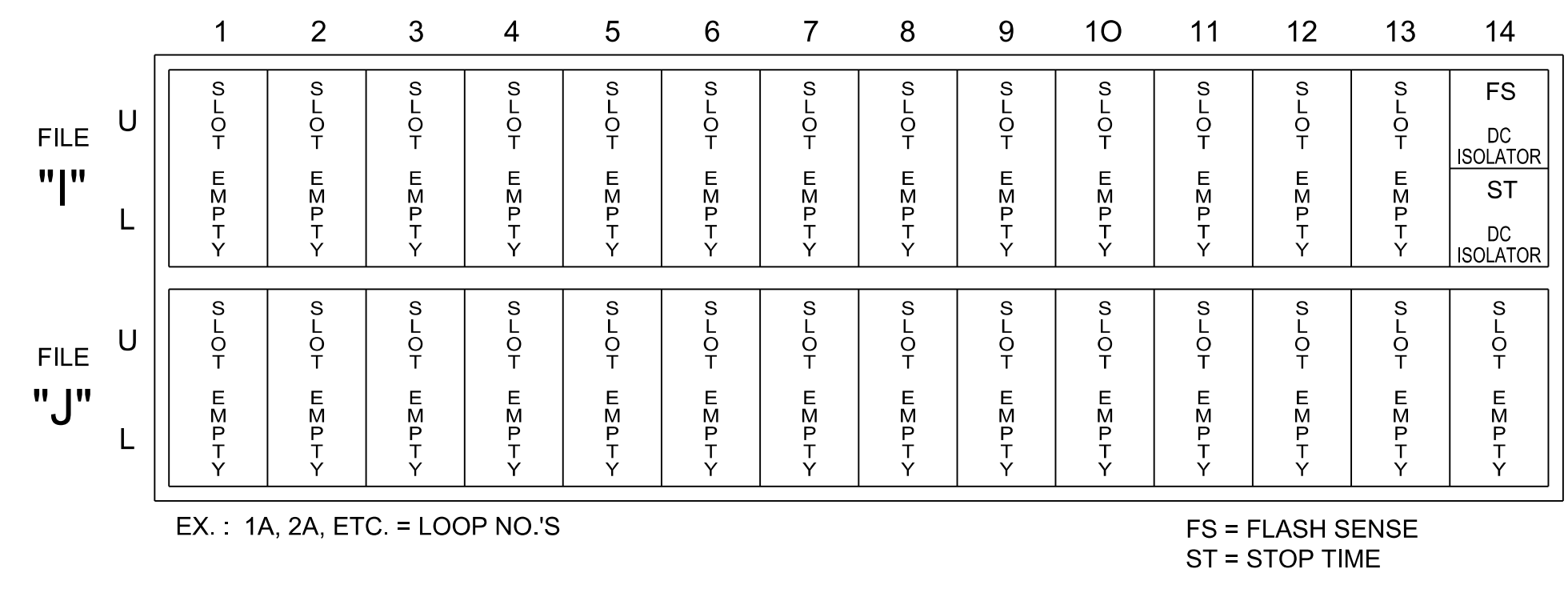
SIGNAL HEAD HOOK-UP CHART

LOAD SWITCH NO.	S1	S2	S3	S4	S5	S6	S7	S8	S9	S10	S11	S12	AUX S1	AUX S2	AUX S3	AUX S4	AUX S5	AUX S6
CMU CHANNEL NO.	1	2	13	3	4	14	5	6	15	7	8	16	9	10	17	11	12	18
PHASE	1	2	2 PED	3	4	4 PED	5	6	6 PED	7	8	8 PED	OL1	OL2	SPARE	OL3	OL4	SPARE
SIGNAL HEAD NO.	NU	21	22	NU	NU	NU	21	61	62	NU	NU	81,82	NU	NU	NU	NU	NU	NU
RED		128	128				*	134	134			107						
YELLOW		129	129					135	135			108						
GREEN		130							136			109						
RED ARROW																		
YELLOW ARROW							132											
GREEN ARROW			130				133	136										

NU = Not Used
 * Denotes install load resistor. See load resistor installation detail this sheet.

INPUT FILE POSITION LAYOUT

(front view)

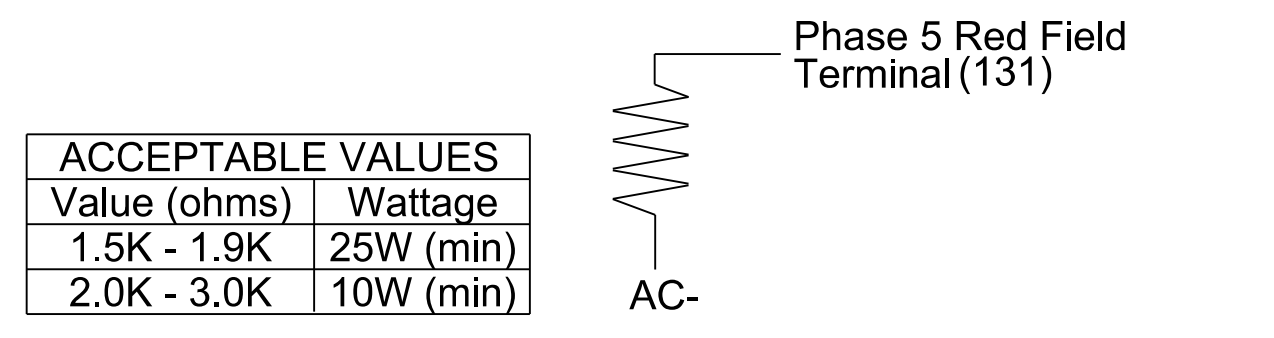


SPECIAL DETECTOR NOTE

Install a video detection system for vehicle detection. Perform installation according to manufacturer's directions and NCDOT engineer-approved mounting locations to accomplish the detection schemes shown on the Signal Design Plans.

LOAD RESISTOR INSTALLATION DETAIL

(install resistor as shown)



THIS ELECTRICAL DETAIL IS FOR THE SIGNAL DESIGN: 07-1675T1
 DESIGNED: Jan 2023
 SEALED: 3/10/2023
 REVISED:

Temporary Design 1 (TMP Phase I)
 Electrical Detail

Electrical and Programming Details For: Prepared for the Offices of: NC Firm License No.: F-0342 5438 Wade Park Boulevard Suite 200, Raleigh, NC 27607 Phone: 919-461-1100	SR 2817 (Barnes Street) at US 29 NB Ramps		DOCUMENT NOT CONSIDERED FINAL UNLESS ALL SIGNATURES COMPLETED SEAL Hemanth M. Surti 3/10/2023 SIG. INVENTORY NO. 07-1675T1
	Division 7 PLAN DATE: January 2023 PREPARED BY: A Ravipati	Rockingham County REVIEWED BY: H M Surti REVIEWED BY:	

3/10/2023 10:45:00 AM C:\Users\paw.bent\OneDrive\Documents\60581577-NCDDT-SMU\BR-0041\300-CAD\154910-CAD\70-NCDDT-TIP\Signal\0051\gn\el\ecfr\col\Detail\2022\MAXTIME_3-10-23\4071675T1_sml.e_2022XXXX.dgn