

**Project: BR-0041**

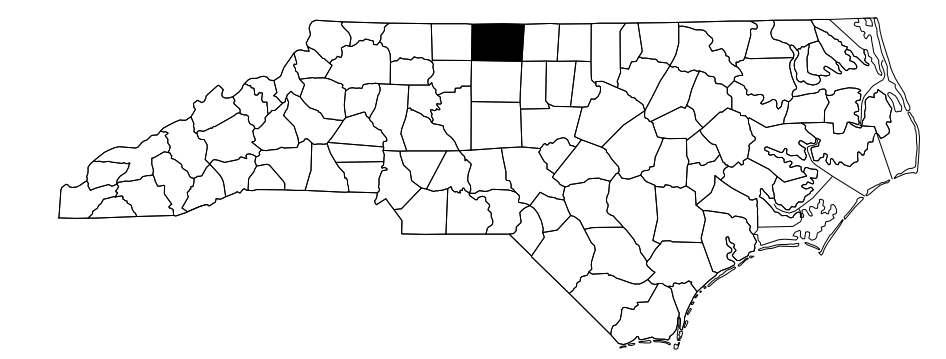
**CONTRACT: C204793**

STATE OF NORTH CAROLINA  
DIVISION OF HIGHWAYS

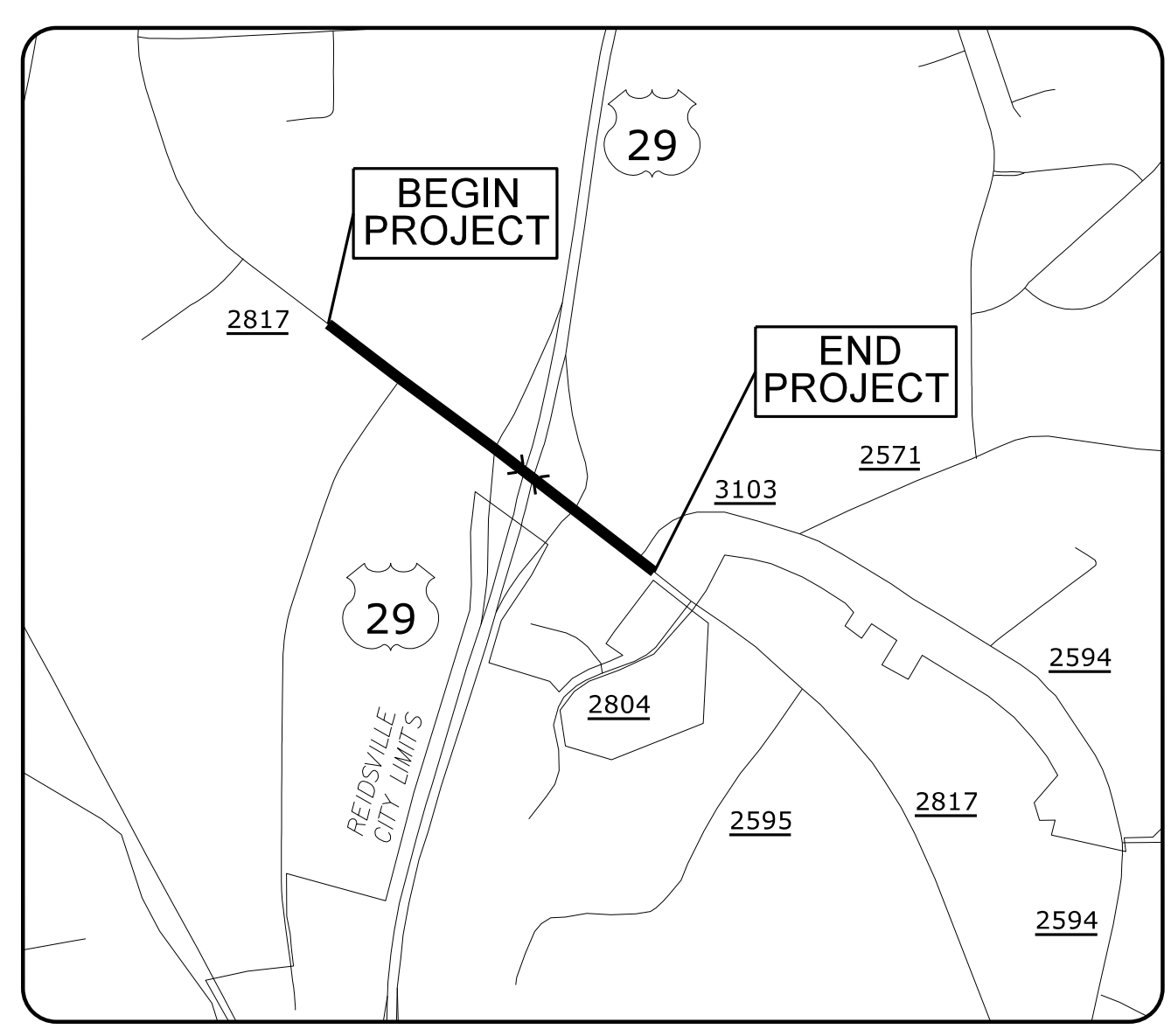
# ROCKINGHAM COUNTY

**LOCATION: SR 2817 (BARNES STREET) WEST OF WATLINGTON INDUSTRIAL DRIVE TO WEST OF SR 2804 (ROCKINGHAM DRIVE)**

**TYPE OF WORK: TRAFFIC SIGNALS AND SIGNAL COMMUNICATIONS**

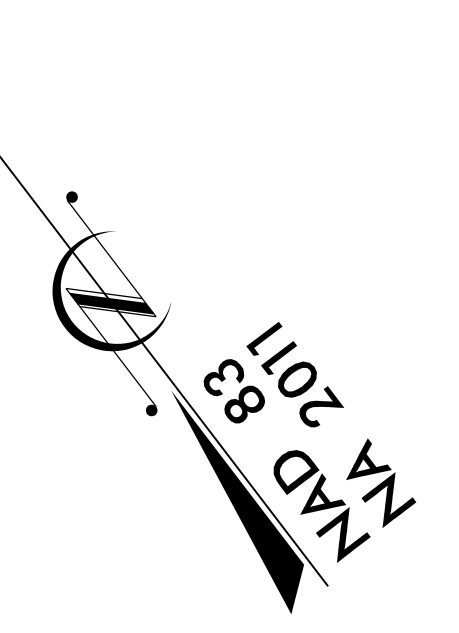
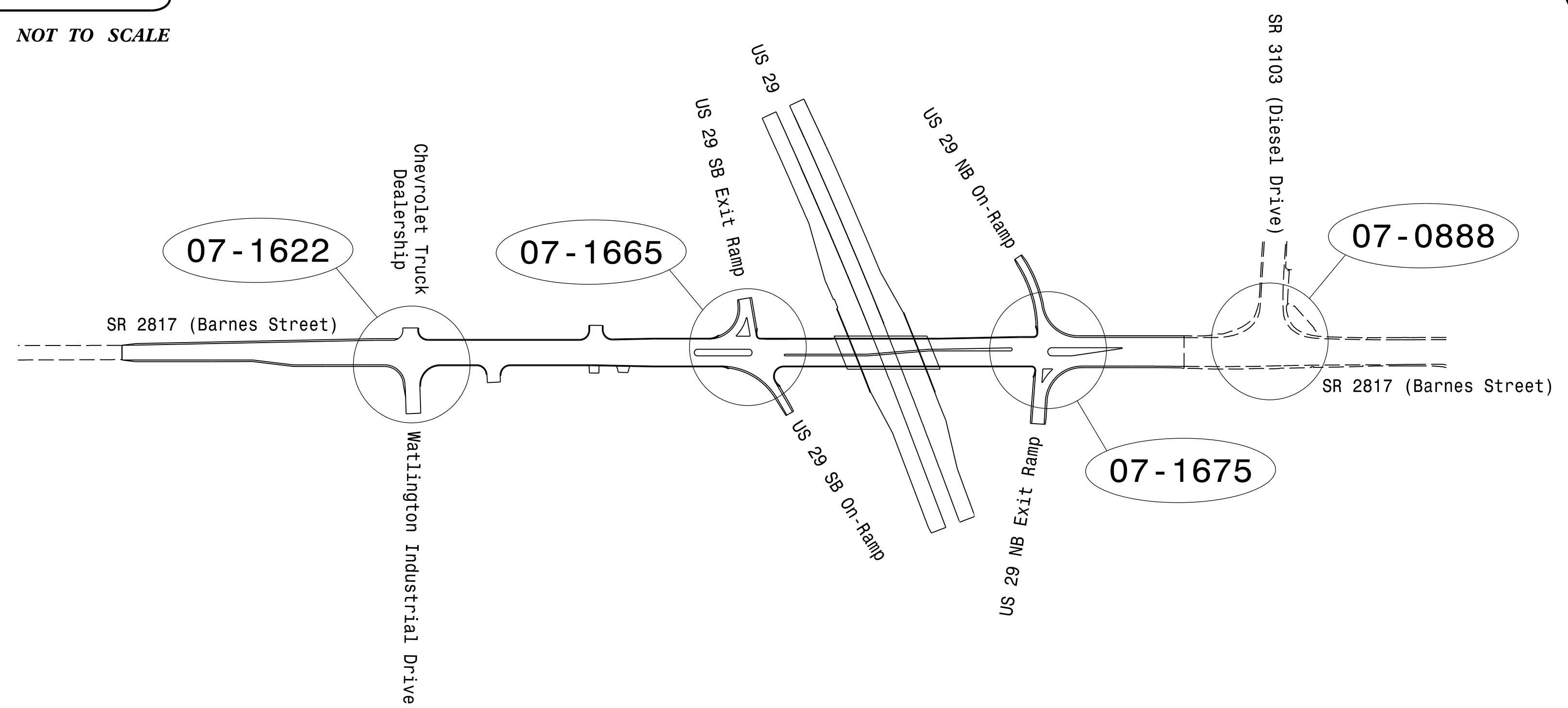


DOCUMENT NOT CONSIDERED FINAL  
UNLESS ALL SIGNATURES COMPLETED



**VICINITY MAP**

NOT TO SCALE



**AECOM**  
NC Firm License No.: F-0342  
5438 Wade Park Boulevard  
Suite 200 Raleigh, NC 27607  
Phone: 919-461-1100

Refer to "Roadway Standard Drawings  
NCDOT" dated January 2018 and  
"Standard Specifications for Roads  
and Structures" dated January 2018.

Index of Plans		
Sheet #	Reference #	Location/Description
Sig. 1.0	N/A	Project Titlesheet
Sig. 1.1 - 1.2	N/A	2018 Standard Plate Sheets
Sig. 2.0 - 4.2	07-1622	SR 2817 (Barnes Street) at Watlington Industrial Drive
Sig. 5.0 - 8.4	07-1665	SR 2817 (Barnes Street) at US 29 SB Ramps
Sig. 9.0 - 12.4	07-1675	SR 2817 (Barnes Street) at US 29 NB Ramps
Sig. 13.0 - 14.1	07-0888	SR 2817 (Barnes Street) at SR 3103 (Diesel Drive)
Sig. M1 - M8	N/A	Standard Metal Pole Sheets
SCP 1 - 8	N/A	Signal Communication Plans and Splice Details

**NCDOT TRANSPORTATION SYSTEMS  
MANAGEMENT & OPERATIONS UNIT**

Contacts:  
**Robert J. Ziemba, PE, CPM - Central Region Signals Engineer**  
**Keith M. Mims, PE - Signal Equipment Design Engineer**  
**Gregory A. Green - Signal Communications Project Engineer**

**AECOM**  
Contact:  
**Hemang M. Surti, PE - NC Signals & ITS Lead**

Prepared for the Office of:  
**DIVISION OF HIGHWAYS**  
**TRANSPORTATION MOBILITY AND SAFETY  
DIVISION**

750 N. Greenfield Parkway, Garner, NC 27529

3/10/2023  
p:\aecom\nc-pw\bentley.com\AECOM\_DS21\_NA\_2020\Documents\60681577-NCDOT\_SMU\_BR-0041\900-CAD\_GIS\910-CAD\70-NCDOT\_TIP\Signals\Design\BR-0041\_sig\_tsh.dgn  
michael.leavenworth