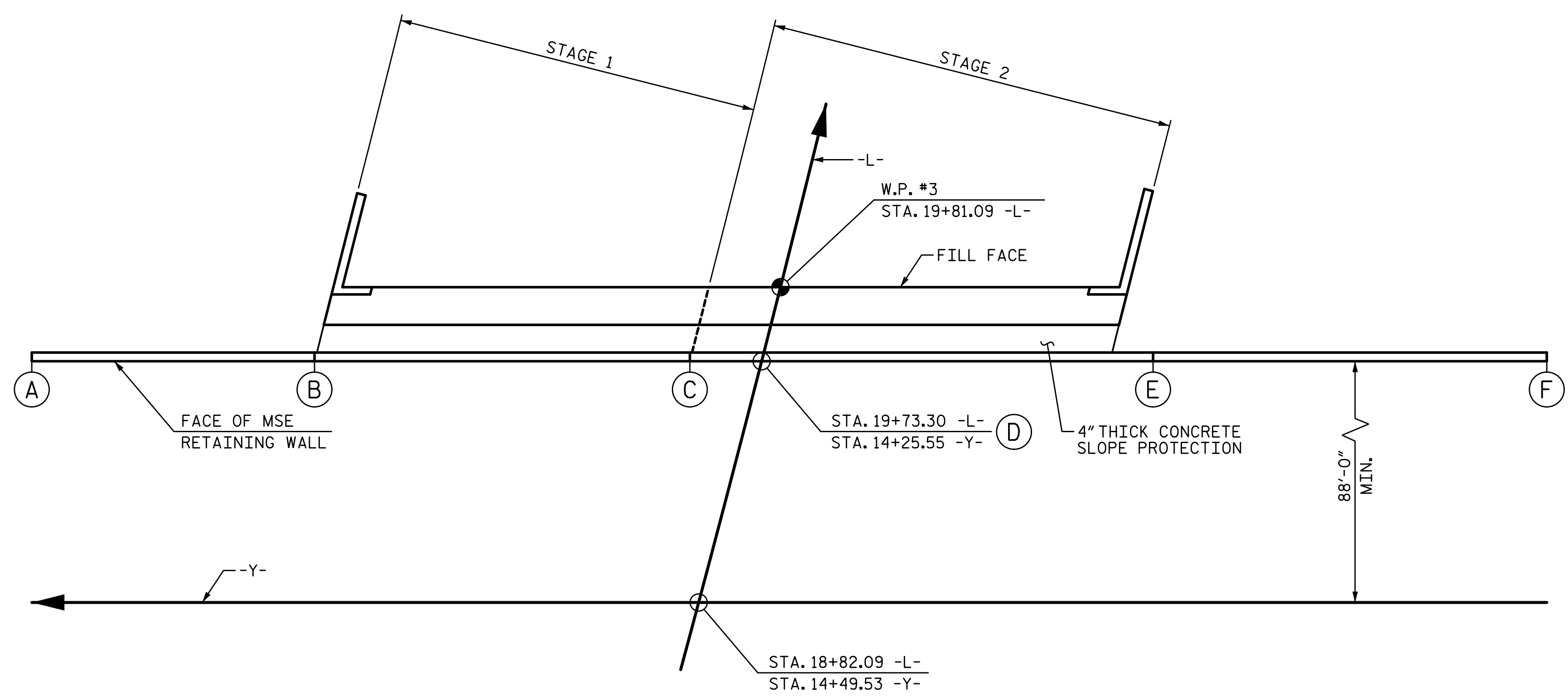
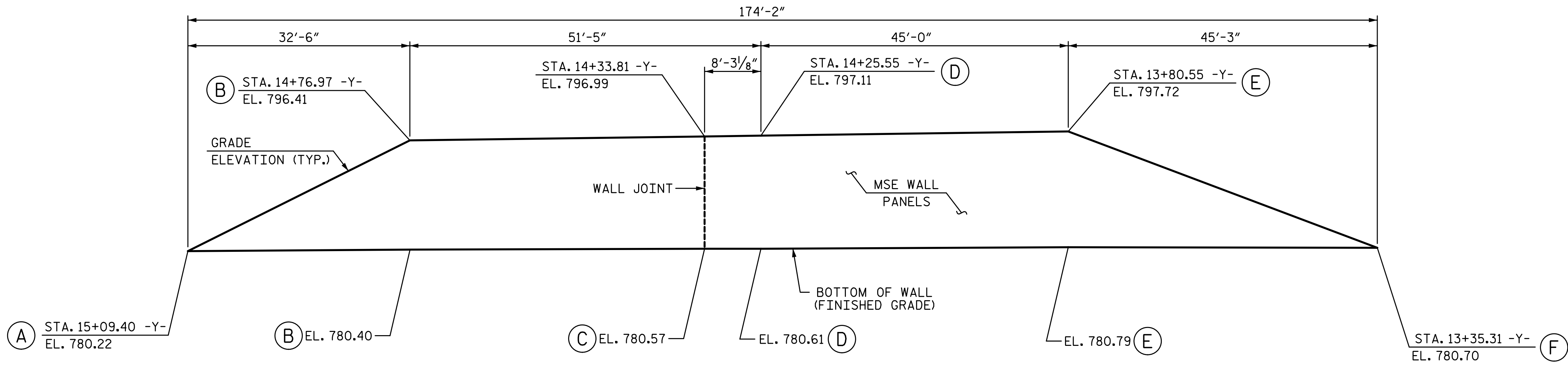


1/27/2023 1:06:44 PM P:\Raleigh\Projects\2018\Division 7 (SEA)\17BP7R142 Guilford 225 (Rehobeth Ch Rd over I-85 Bus)\Structures\Drawings\Final\17BP7R142_SML_MSE_400225.dgn



PLAN - END BENT 2



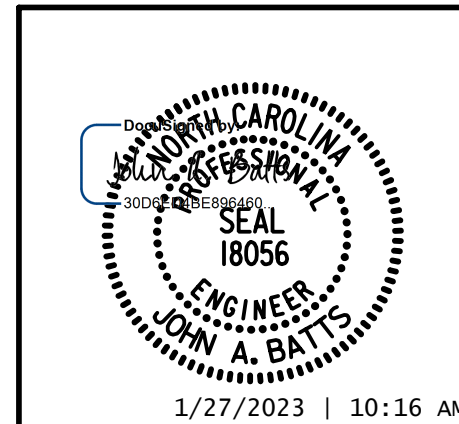
ELEVATION - END BENT 2
LOOKING AT EXPOSED FRONT FACE OF MSE RETAINING WALL
(2231 SF)

PROJECT NO. BP7.R006.3
GUILFORD COUNTY
 STATION: 18+82.09 -L-

SHEET 2 OF 5

STATE OF NORTH CAROLINA
 DEPARTMENT OF TRANSPORTATION
 RALEIGH

MSE RETAINING WALLS
 PLAN AND WALL ENVELOPE
 AT END BENT 2
 (WALL W2)



1/27/2023 10:16 AM

DRAWN BY: S.D. COOPER	DATE: 10-21
CHECKED BY: J.A. BATTS	DATE: 10-21
DESIGN ENGINEER OF RECORD: J.A. BATTS	DATE: 10-21

LICENSURE NO. C-4434						DOCUMENT NOT CONSIDERED FINAL UNLESS ALL SIGNATURES COMPLETED						
REVISIONS												SHEET NO.
NO.	BY:	DATE:	NO.	BY:	DATE:							W-2
1			3									TOTAL SHEETS
2			4									5