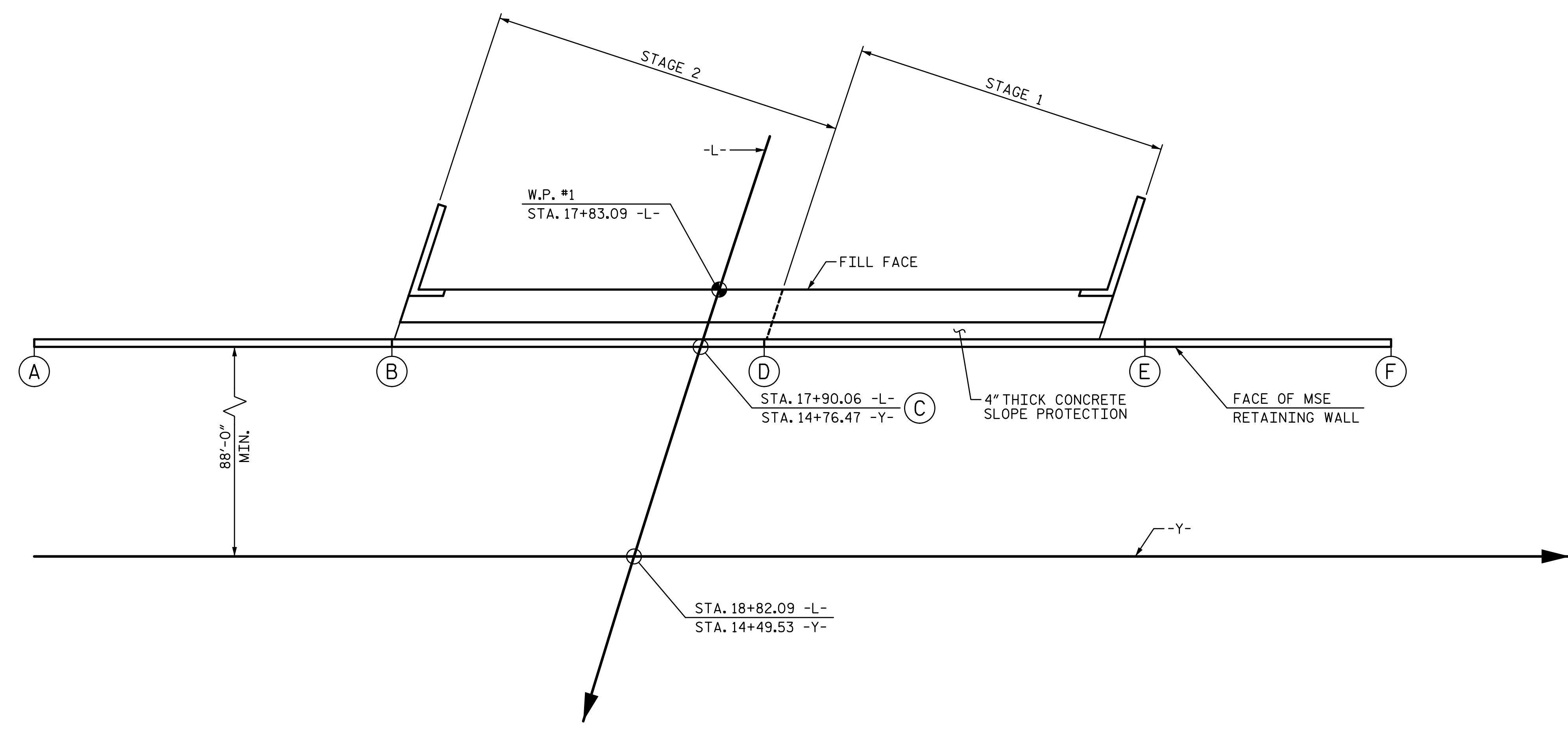
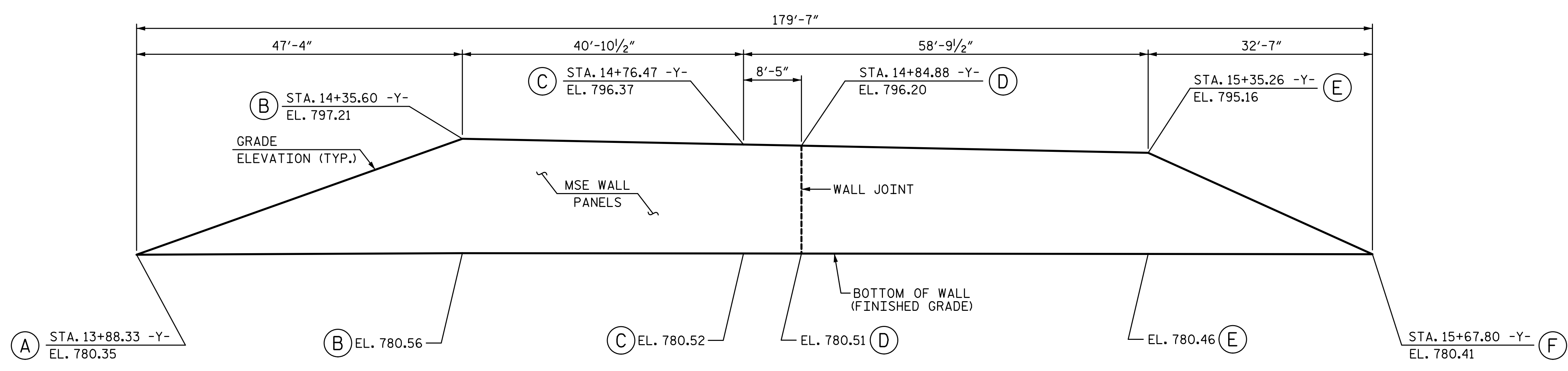


1/27/2023 1:06:43 PM P:\Raleigh\Projects\2018\Division 7 (SEA)\17BP7R142 Guilford 225 (Rehobeth Ch Rd over I-85 Bus)\Structures\Drawings\Final\17BP7R142_SMJ_MSE_400225.dgn

NOTE:
FOR SECTIONS AND NOTES, SEE SHEETS 3 THRU 5.



PLAN - END BENT 1

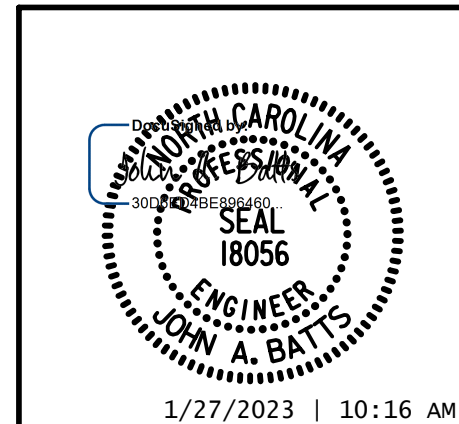


ELEVATION - END BENT 1
LOOKING AT EXPOSED FRONT FACE OF MSE RETAINING WALL
(2195 SF)

PROJECT NO. BP7.R006.3
GUILFORD COUNTY
STATION: 18+82.09 -L-

SHEET 1 OF 5

STATE OF NORTH CAROLINA
DEPARTMENT OF TRANSPORTATION
RALEIGH
MSE RETAINING WALLS
PLAN AND WALL ENVELOPE
AT END BENT 1
(WALL W1)



1/27/2023 | 10:16 AM

DRAWN BY: S.D. COOPER	DATE: 10-21
CHECKED BY: J.A. BATTIS	DATE: 10-21
DESIGN ENGINEER OF RECORD: J.A. BATTIS	DATE: 10-21

REVISIONS						SHEET NO.
NO.	BY:	DATE:	NO.	BY:	DATE:	W-1
1			3			TOTAL SHEETS
2			4			5

LICENSURE NO. C-4434
DOCUMENT NOT CONSIDERED FINAL
UNLESS ALL SIGNATURES COMPLETED