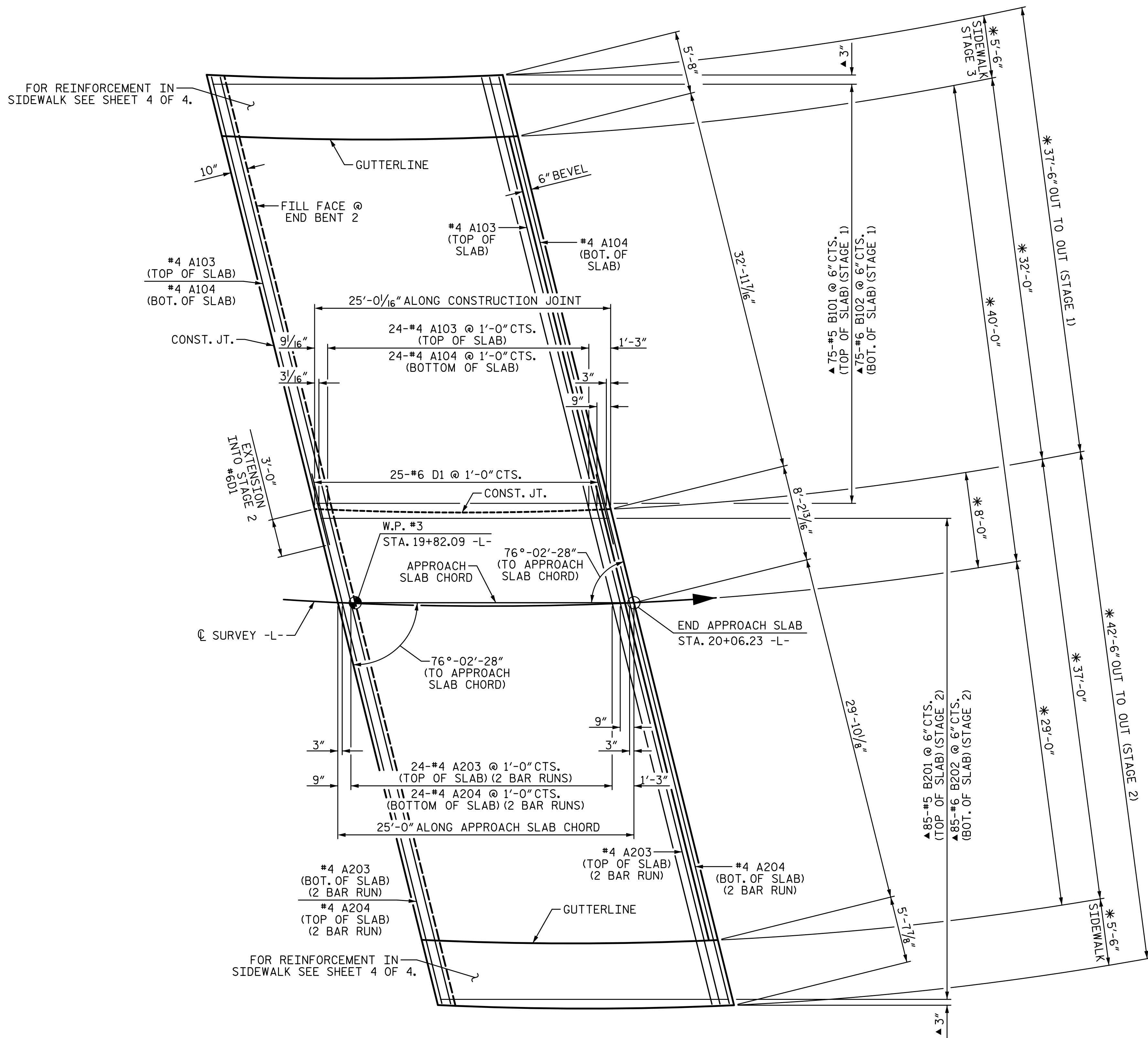
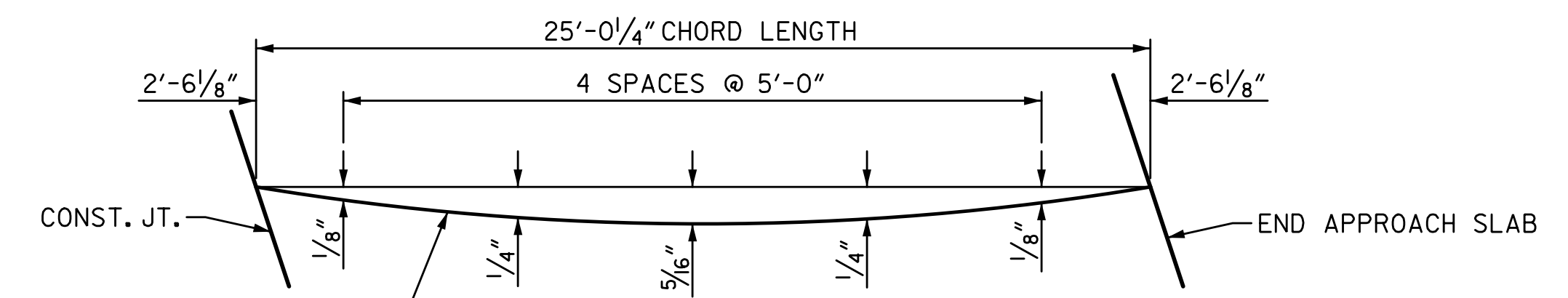


2/7/2023 11:20:08 AM P:\Raleigh\Projects\2018\Division 7 (SEA)\17BP7R142 Guilford 225 (Rehobeth Ch Rd over I-85 Bus)\Structures\Drawings\Final\17BP7R142_SML_AS_400225.dgn

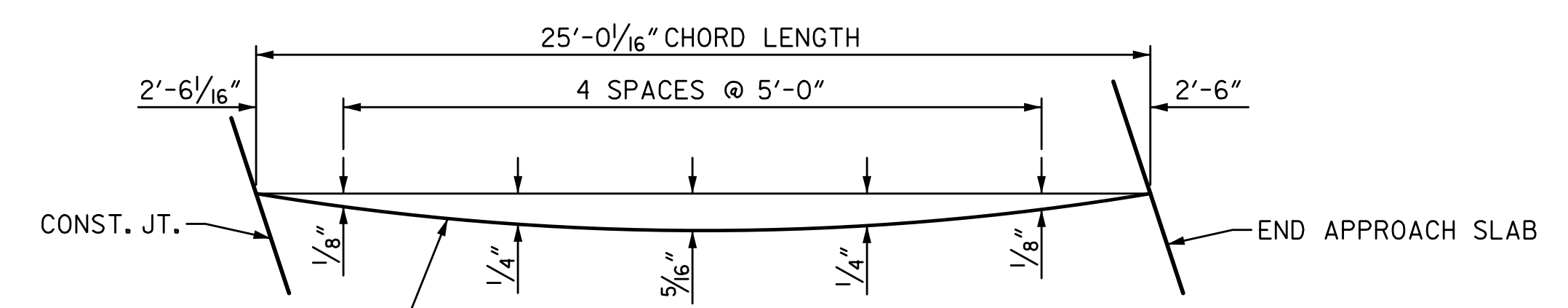


PLAN @ END BENT 2

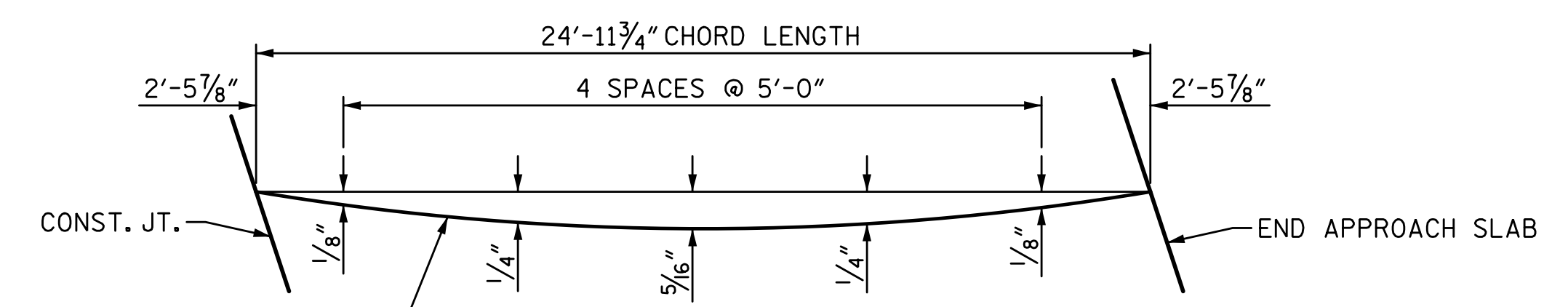
* RADIAL DIMENSIONS
▲ "B" BARS PLACED PARALLEL TO APPROACH SLAB CHORD



LEFT SIDE



CONSTRUCTION JOINT



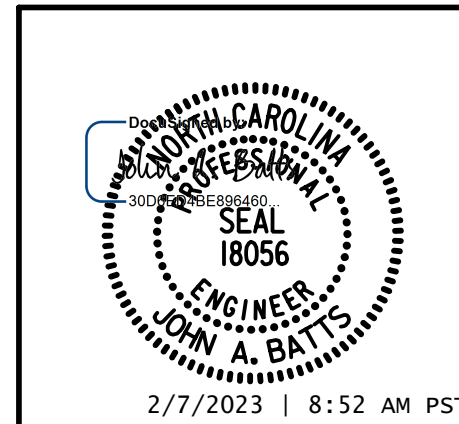
RIGHT SIDE

ARC OFFSETS @ END BENT 2

PROJECT NO. BP7.R006.3
GUILFORD COUNTY
STATION: 18+82.09 -L-

SHEET 2 OF 4

STATE OF NORTH CAROLINA
DEPARTMENT OF TRANSPORTATION
RALEIGH
**BRIDGE APPROACH SLAB
FOR INTEGRAL
END BENT**



REVISIONS						SHEET NO.
NO.	BY:	DATE:	NO.	BY:	DATE:	S-56
1			3			TOTAL SHEETS
2			4			58

DOCUMENT NOT CONSIDERED FINAL
UNLESS ALL SIGNATURES COMPLETED

DRAWN BY: <u>S.D. COOPER</u>	DATE: <u>2-22</u>
CHECKED BY: <u>J.A. BATTS</u>	DATE: <u>2-22</u>
DESIGN ENGINEER OF RECORD: <u>J.A. BATTS</u>	DATE: <u>2-22</u>