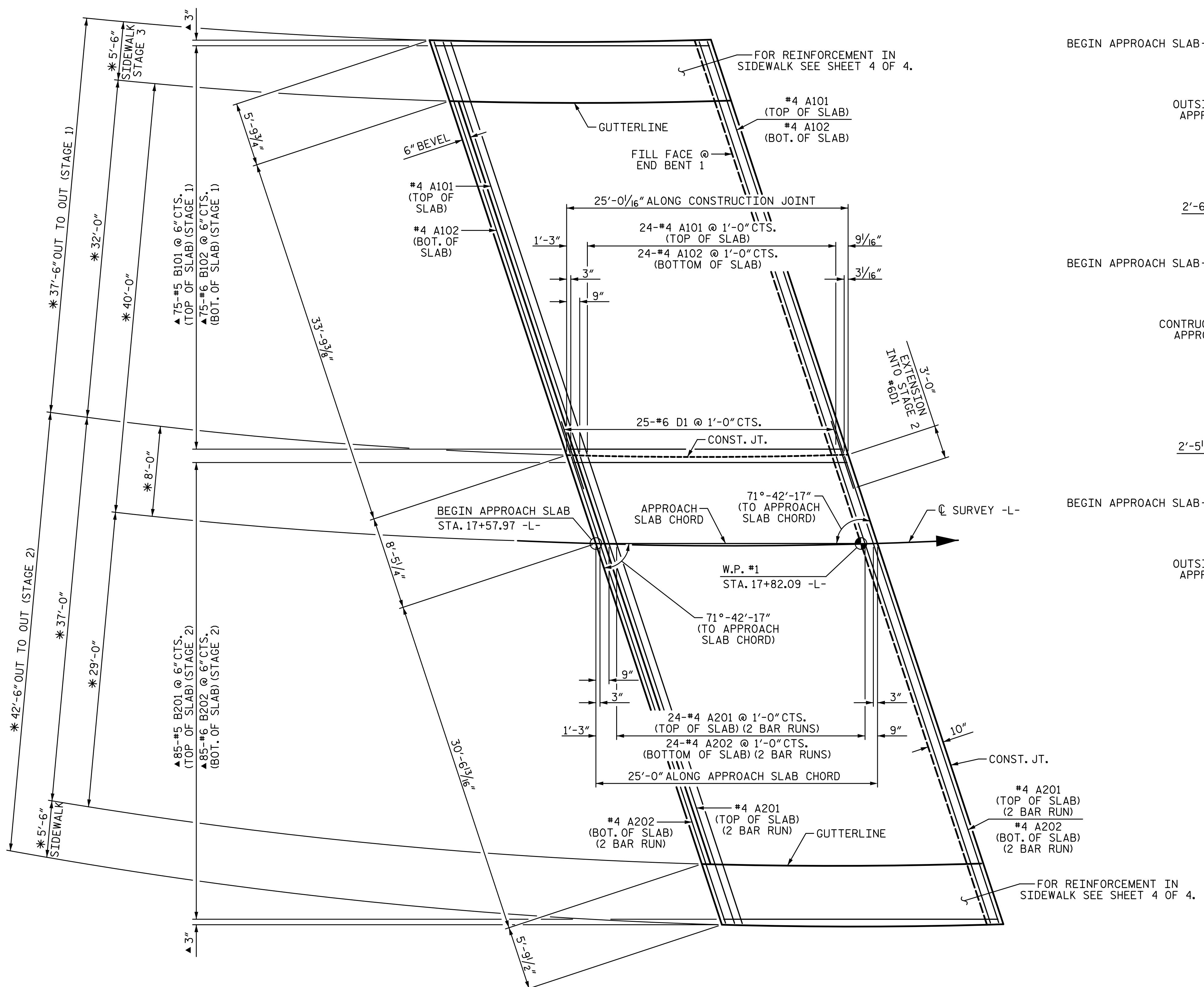
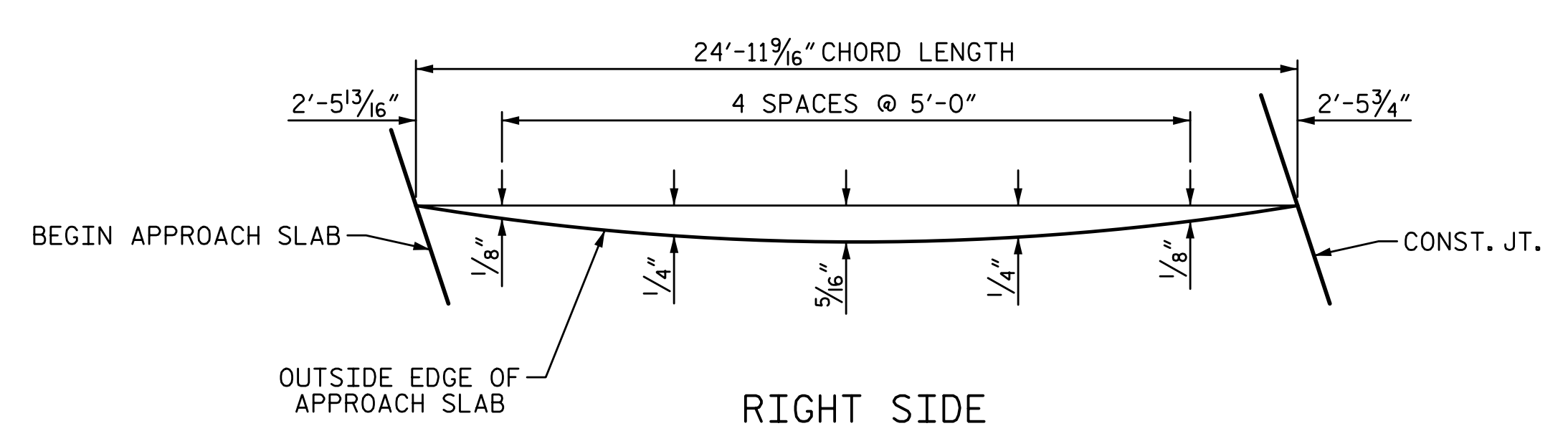
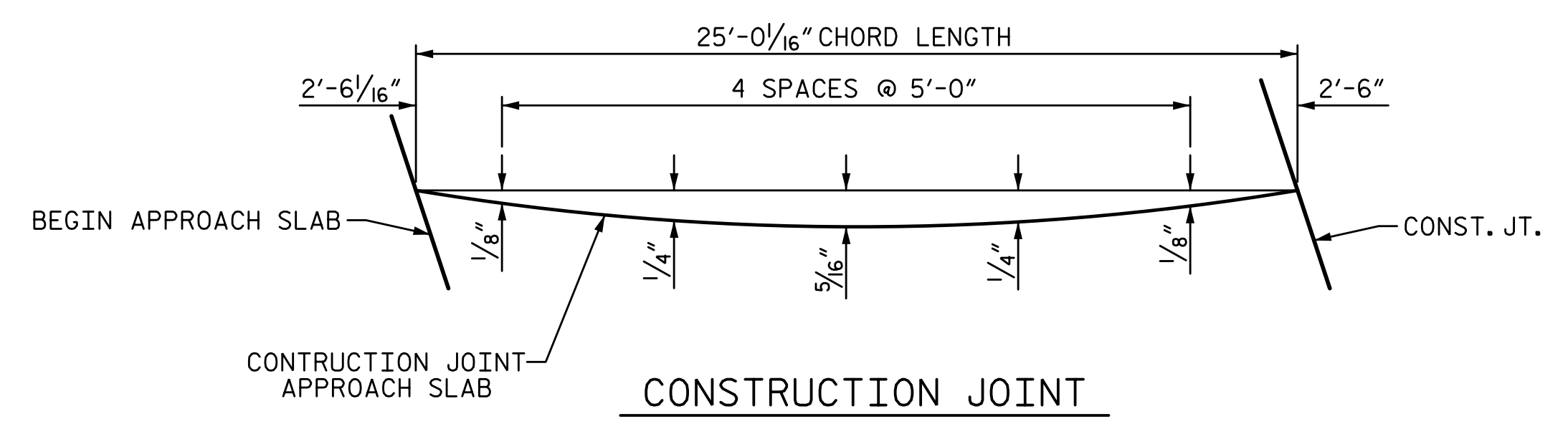
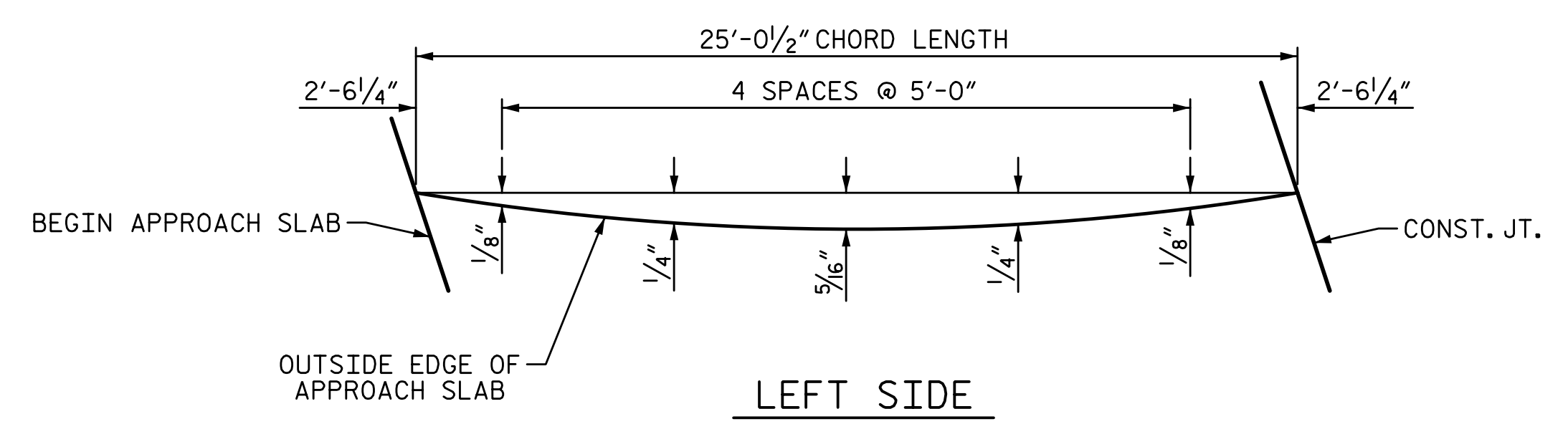


2/7/2023 11:20:08 AM P:\Raleigh\Projects\2018\Division 7 (SEA)\17BP7R142 Gullford 225 (Rehobeth Ch Rd over I-85 Bus)\Structures\Drawings\Final\17BP7R142_SMU_AS_400225.dgn



PLAN @ END BENT 1

* RADIAL DIMENSIONS
▲ "B" BARS PLACED PARALLEL TO APPROACH SLAB CHORD



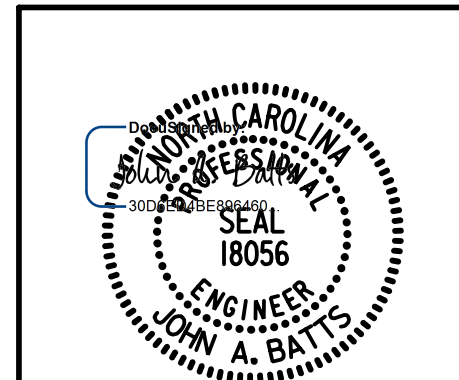
ARC OFFSETS @ END BENT 1

PROJECT NO. BP7.R006.3
GUILFORD COUNTY
 STATION: 18+82.09 -L-

SHEET 1 OF 4

STATE OF NORTH CAROLINA
 DEPARTMENT OF TRANSPORTATION
 RALEIGH

BRIDGE APPROACH SLAB FOR INTEGRAL END BENT



W WGI
 5640 Dillard Drive, Suite 200
 Cary, NC 27518
 LICENSURE NO. C-4434

DRAWN BY: S.D. COOPER	DATE: 2-22
CHECKED BY: J.A. BATTS	DATE: 2-22
DESIGN ENGINEER OF RECORD: J.A. BATTS	DATE: 2-22

REVISIONS						SHEET NO.
NO.	BY:	DATE:	NO.	BY:	DATE:	S-55
1			3			TOTAL SHEETS
2			4			58

DOCUMENT NOT CONSIDERED FINAL UNLESS ALL SIGNATURES COMPLETED