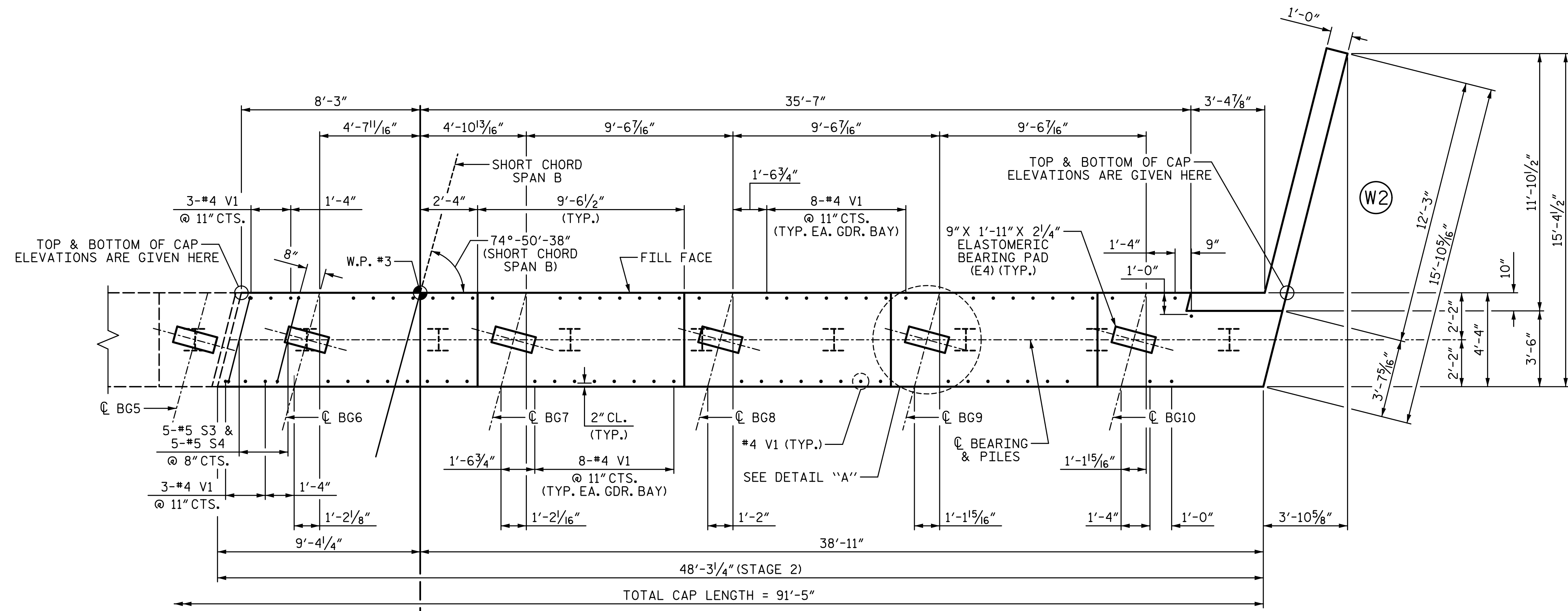
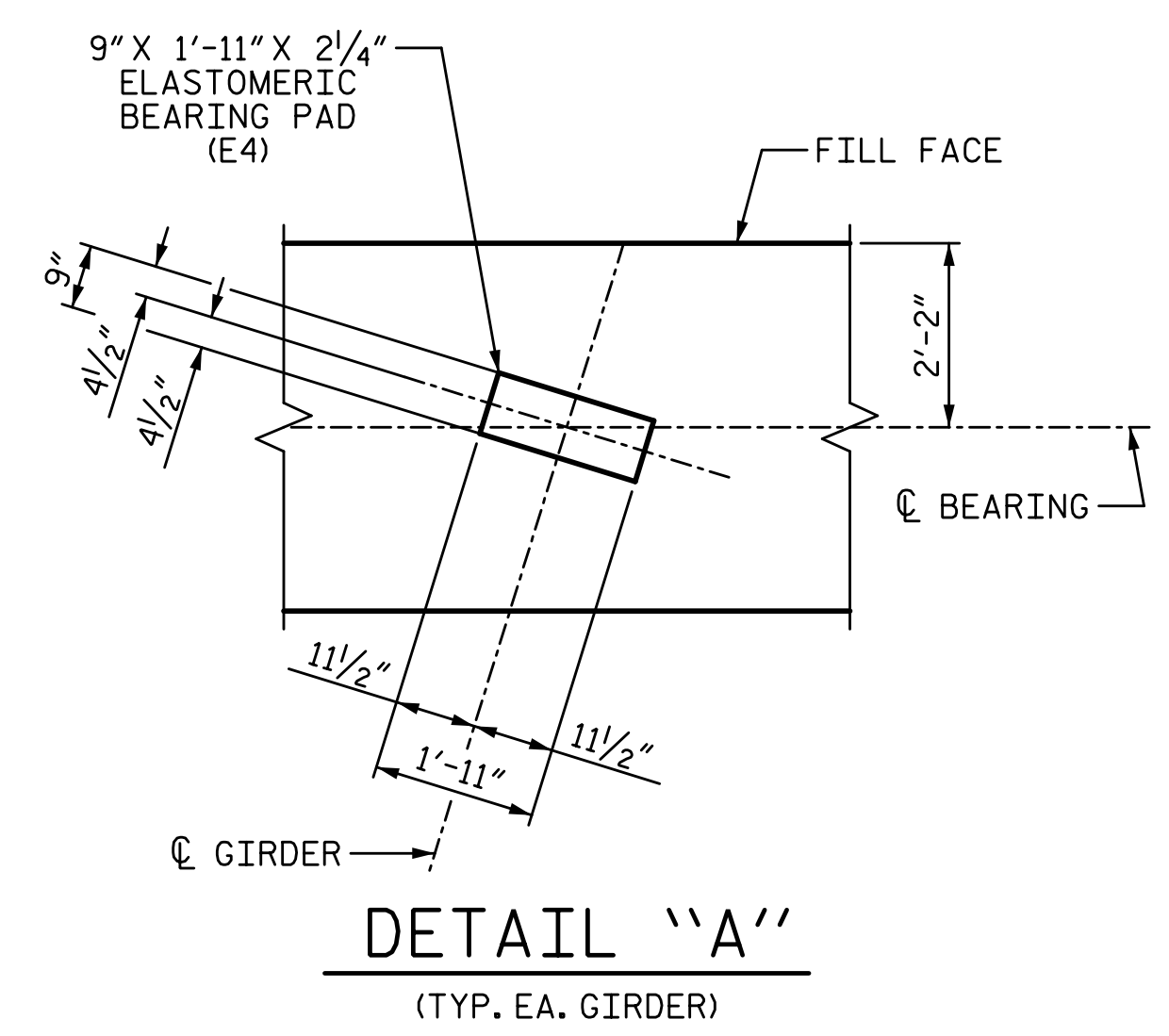


2/7/2023 11:20:05 AM P:\Raleigh\Projects\2018\Division 7 (SEA)\17BP7R142 Guilford 225 (Rehobeth Ch Rd over I-85 Bus)\Structures\Drawings\Final\17BP7R142_SMU_E2_400225.dgn

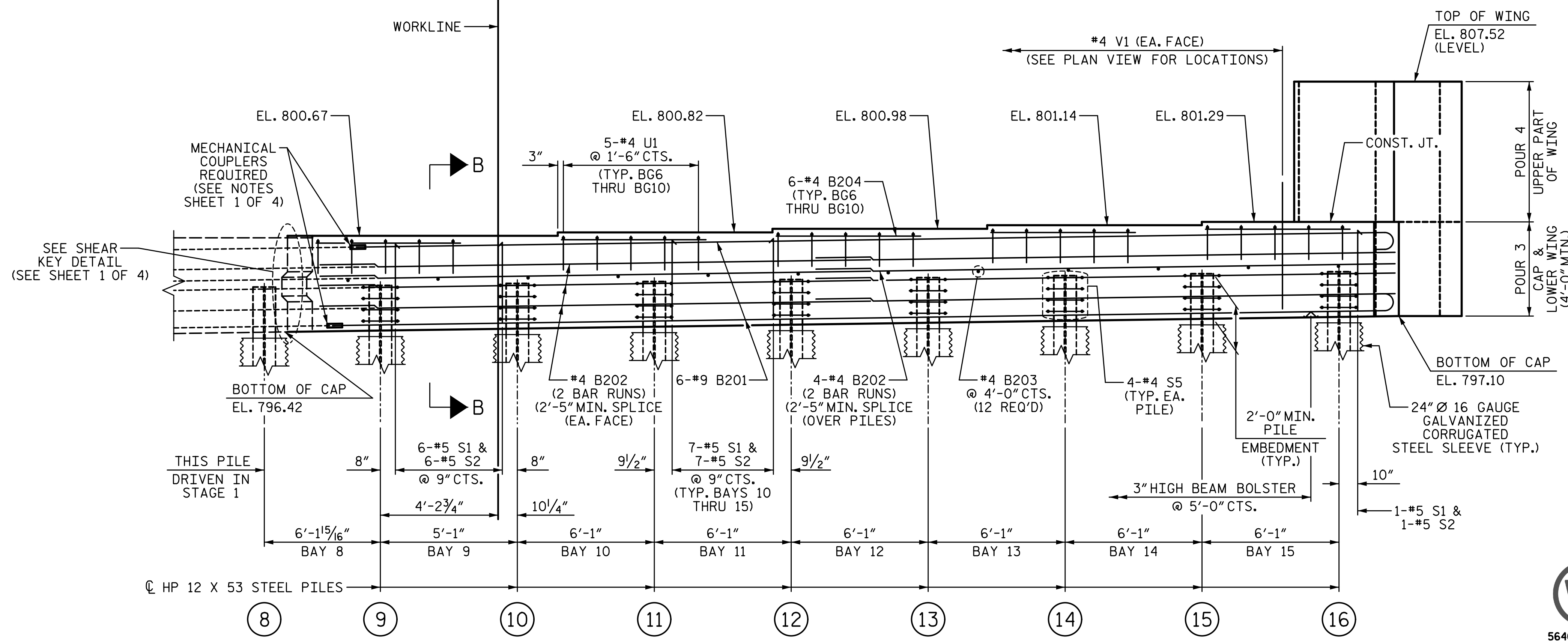


PLAN



DETAIL "A"
(TYP. EA. GIRDER)

TOP OF PILE ELEVATION	
PILE	ELEVATION
9	798.49
10	798.57
11	798.66
12	798.76
13	798.85
14	798.95
15	799.04
16	799.13

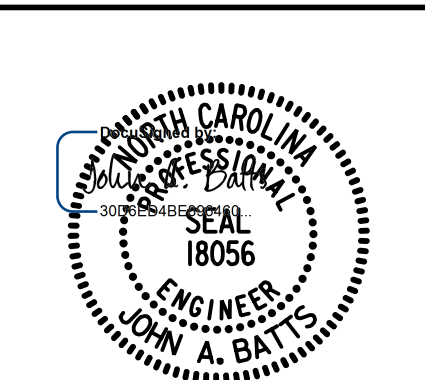


ELEVATION

FOR LOCATION OF S3 AND S4 BARS, SEE PLAN VIEW

PROJECT NO. BP7.R006.3
GUILFORD COUNTY
 STATION: 18+82.09 -L-
 SHEET 2 OF 4

STATE OF NORTH CAROLINA
 DEPARTMENT OF TRANSPORTATION
 RALEIGH
 SUBSTRUCTURE
 END BENT 2
 STAGE 2



DRAWN BY: T. BANKOVICH DATE: 2-22
 CHECKED BY: J.A. BATTS DATE: 2-22
 DESIGN ENGINEER OF RECORD: J.A. BATTS DATE: 2-22

REVISIONS				SHEET NO.	
NO.	BY:	DATE:	NO.	BY:	DATE:
1			3		
2			4		

DOCUMENT NOT CONSIDERED FINAL
UNLESS ALL SIGNATURES COMPLETED