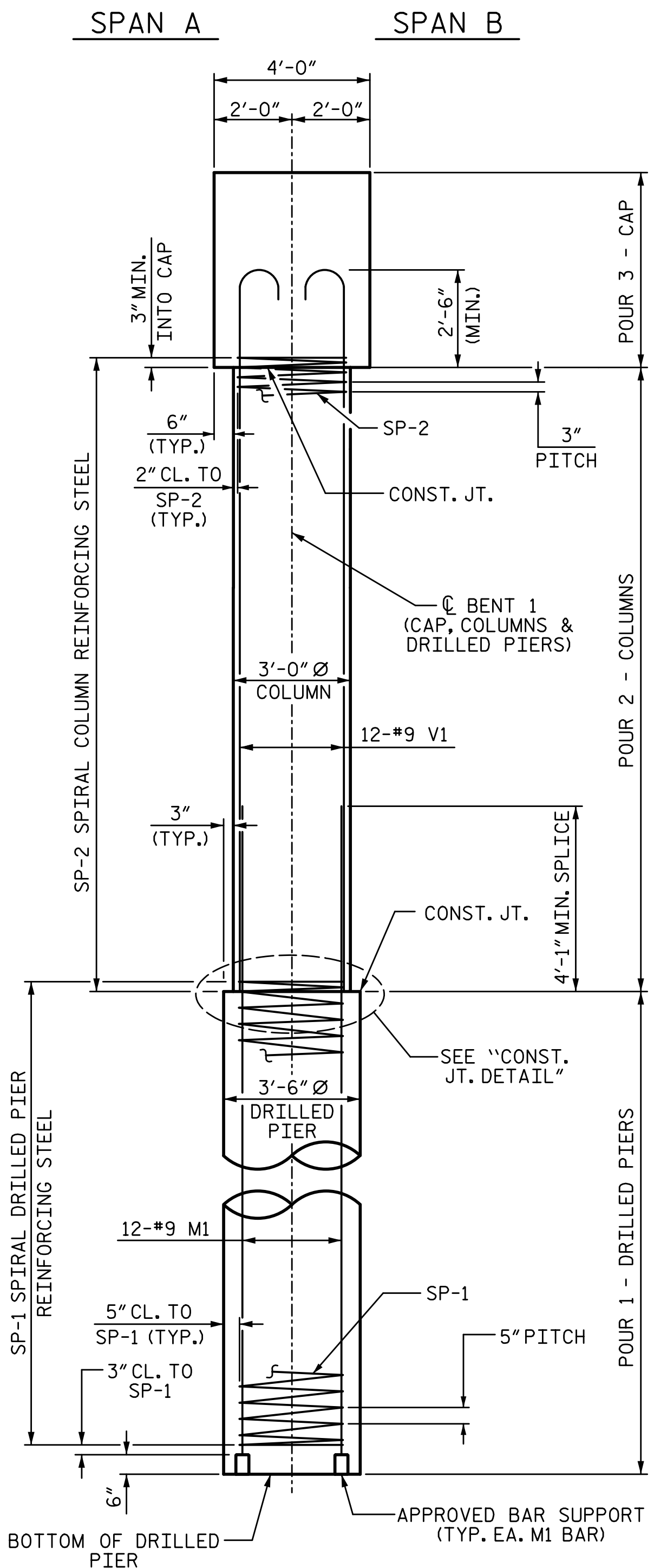
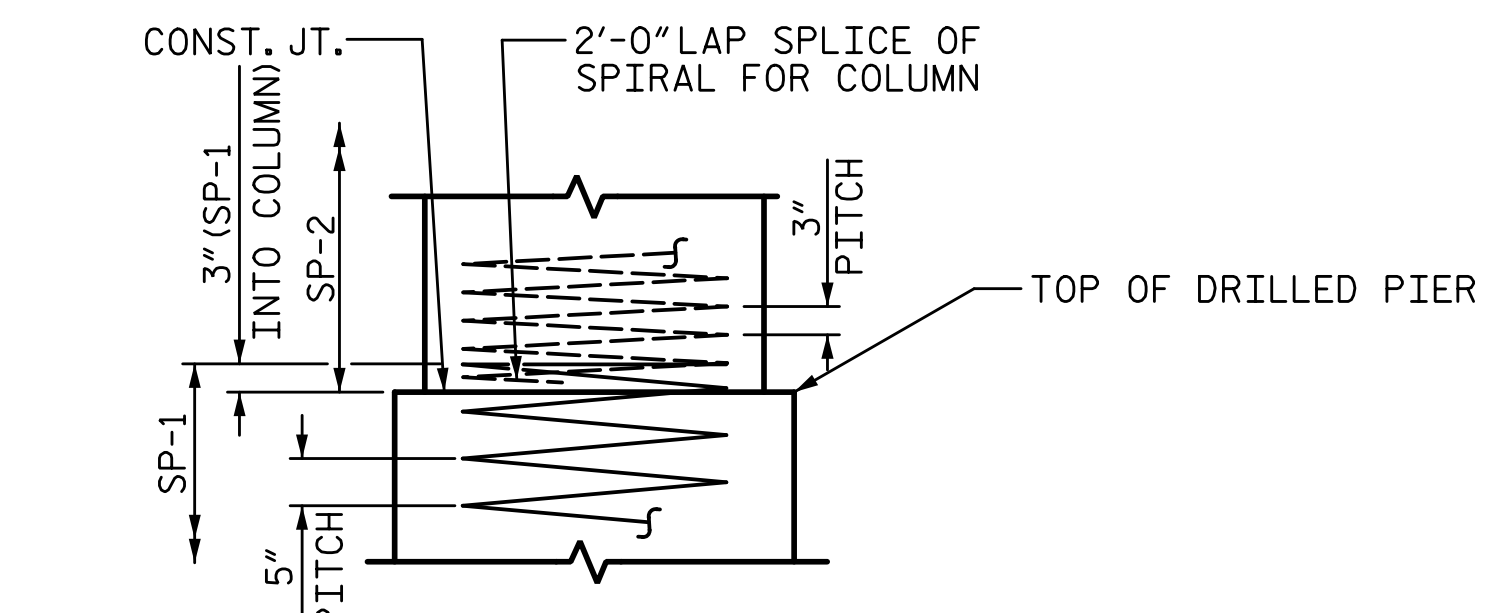


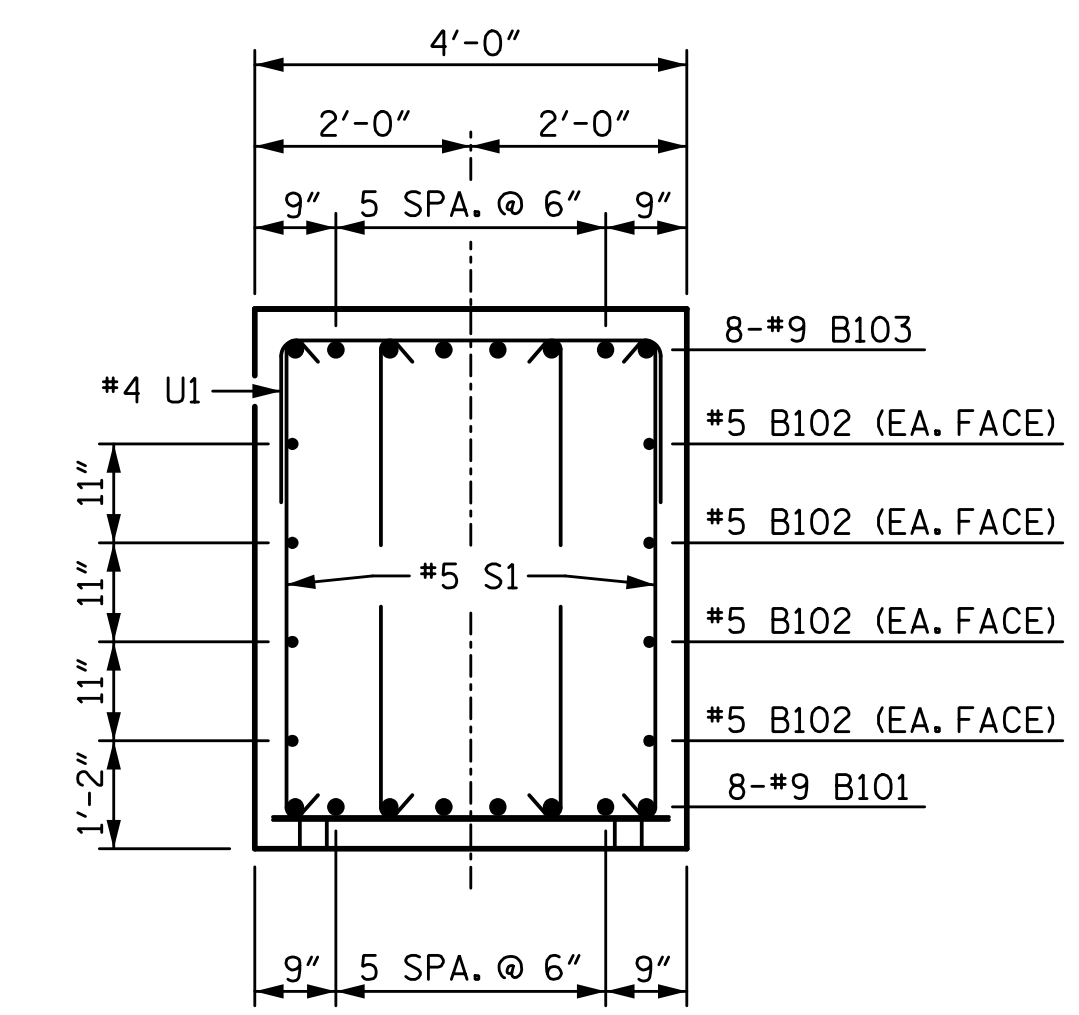
2/7/2023 11:20:02 AM P:\Raleigh\Projects\2018\Division 7 (SEA)\17BP7R142 Guilford 225 (Rehobeth Ch Rd over I-85 Bus)\Structures\Drawings\Final\17BP7R142_SMJ_B1_400225.dgn



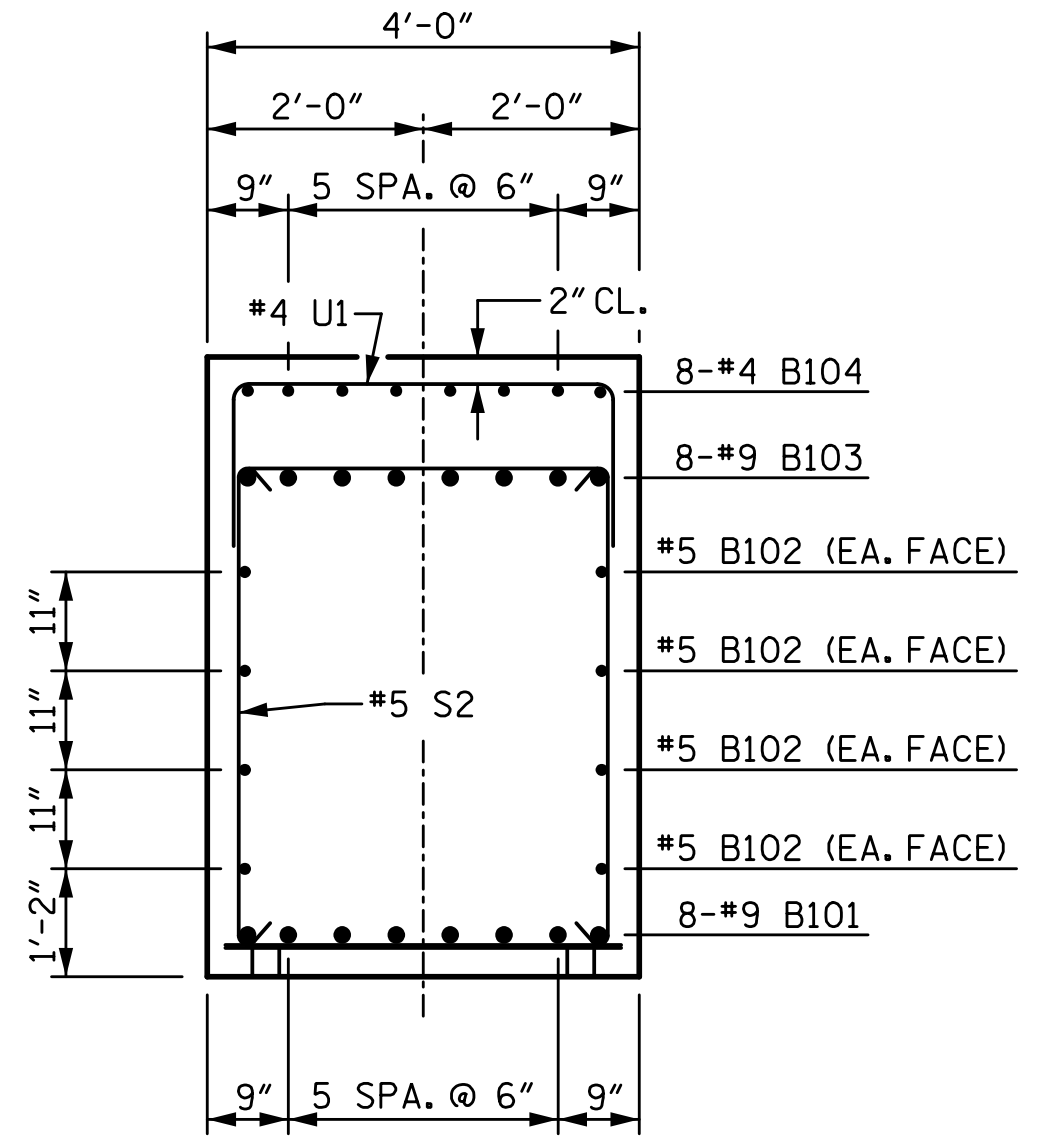
END ELEVATION



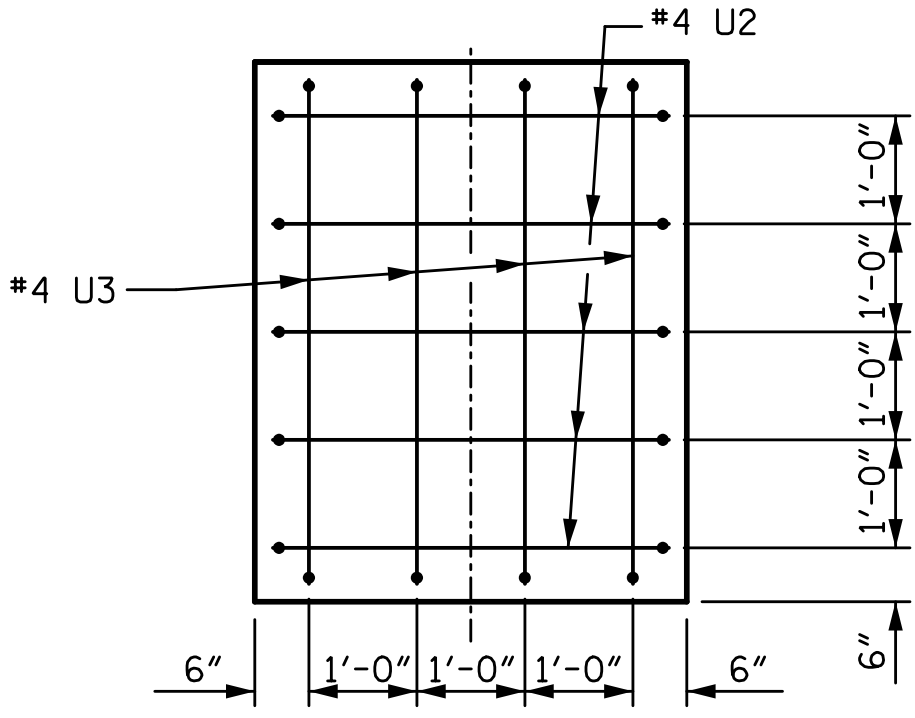
CONSTRUCTION JOINT DETAIL



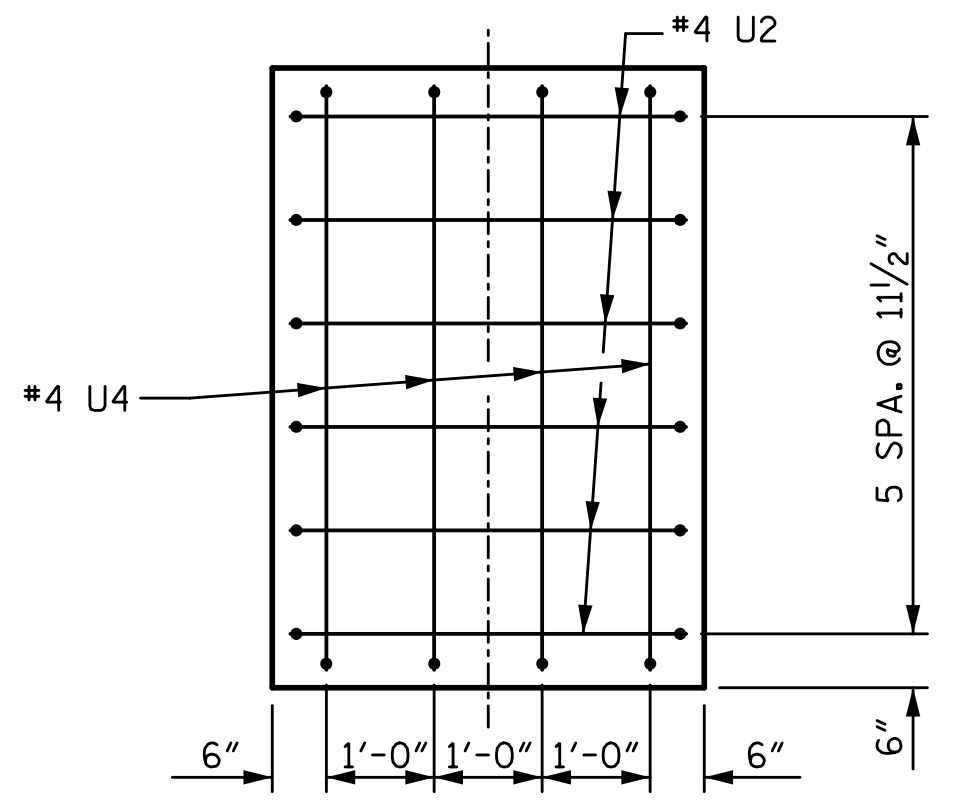
SECTION A-A



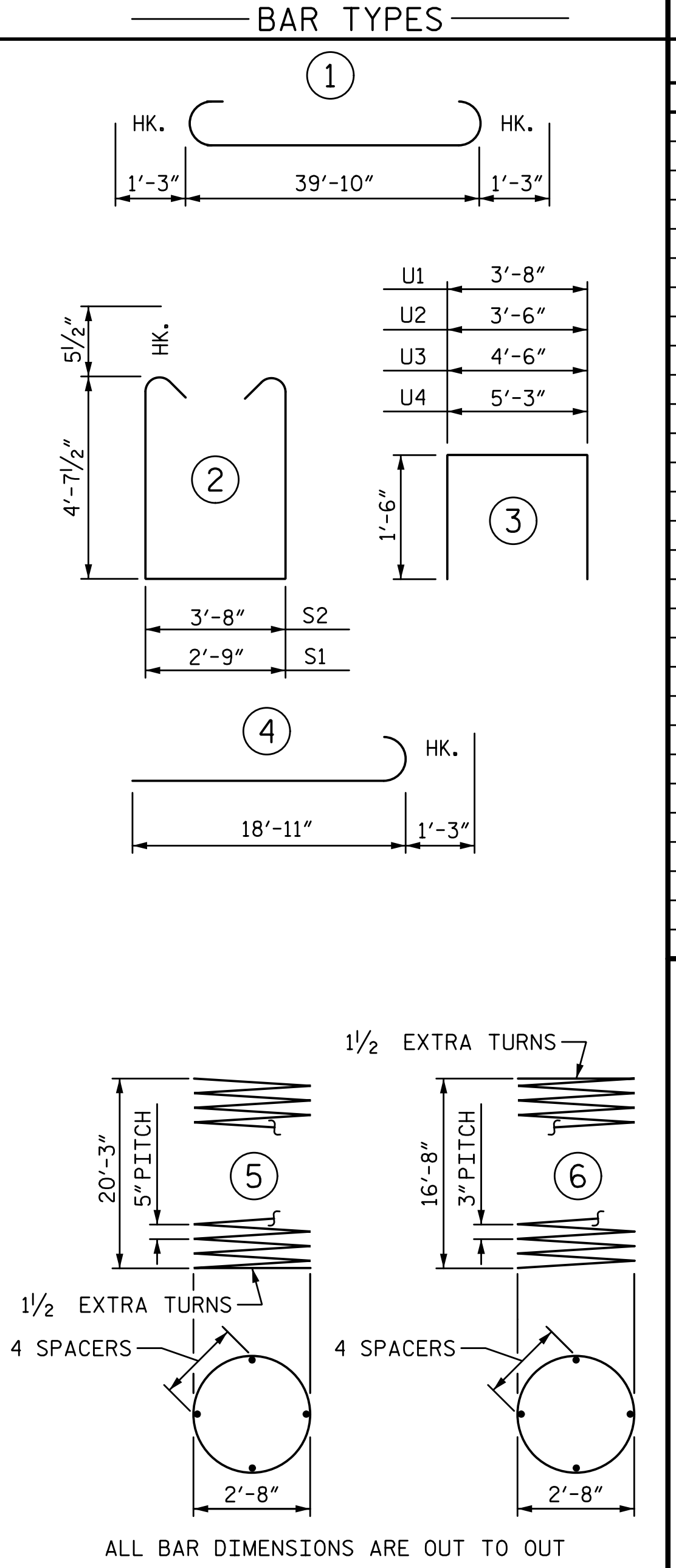
SECTION B-B



VIEW X-X

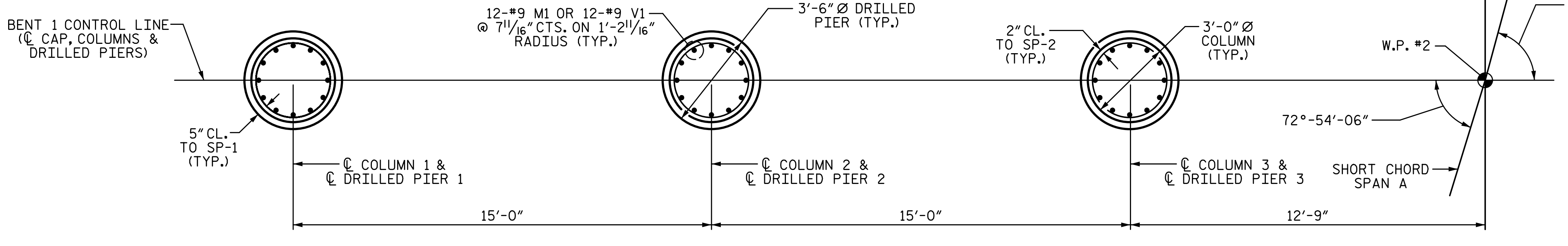


VIEW Y-Y



ALL BAR DIMENSIONS ARE OUT TO OUT
 * THE "SP-1" SPIRAL REINFORCING STEEL SHALL BE W31 OR D31 COLD DRAWN WIRE OR #5 PLAIN OR DEFORMED BAR.
 * THE "SP-2" SPIRAL REINFORCING STEEL SHALL BE W20 OR D20 COLD DRAWN WIRE OR #4 PLAIN OR DEFORMED BAR.

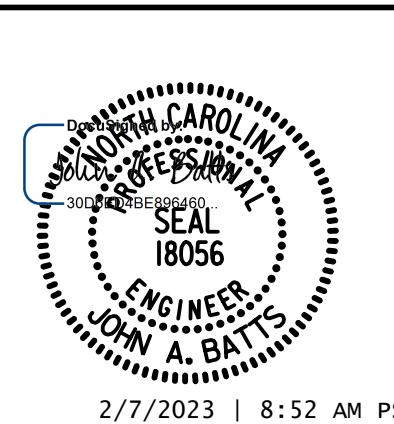
BILL OF MATERIAL					
BENT 1 (STAGE 1)					
BAR NO.	NO.	SIZE	TYPE	LENGTH	WEIGHT
B101	8	#9	STR	40'-0"	1088
B102	8	#5	STR	40'-0"	334
B103	8	#9	1	42'-4"	1151
B104	8	#4	STR	8'-10"	47
B105	8	#4	STR	12'-10"	69
M1	36	#9	STR	28'-0"	3427
S1	28	#5	2	12'-11"	377
S2	40	#5	2	13'-10"	577
U1	46	#4	3	6'-8"	205
U2	11	#4	3	6'-6"	48
U3	4	#4	3	7'-6"	20
U4	4	#4	3	8'-3"	22
V1	36	#9	4	20'-2"	2468
SP-1	3	**	5	419'-6"	1313
SP-2	3	*	6	569'-4"	1141
REINFORCING STEEL					9833 LB
SPIRAL COL. REINF. STEEL					2454 LB
CLASS "A" CONCRETE BREAKDOWN					
POUR 2 (COLUMNS)					12.9 CY
POUR 3 (CAP)					31.9 CY
TOTAL					44.8 CY



PLAN OF DRILLED PIERS AND COLUMNS

PROJECT NO. BP7.R006.3
GUILFORD COUNTY
 STATION: 18+82.09 -L-
 SHEET 2 OF 4

STATE OF NORTH CAROLINA
 DEPARTMENT OF TRANSPORTATION
 RALEIGH
 SUBSTRUCTURE
BENT 1
 STAGE 1



W WGI
 5640 Dillard Drive, Suite 200
 Cary, NC 27518
 LICENSURE NO. C-4434

DRAWN BY: S.D. COOPER	DATE: 2-22
CHECKED BY: J.A. BATTS	DATE: 2-22
DESIGN ENGINEER OF RECORD: J.A. BATTS	DATE: 2-22

REVISIONS				SHEET NO.
NO.	BY:	DATE:	NO.	DATE:
1			3	
2			4	

DOCUMENT NOT CONSIDERED FINAL
 UNLESS ALL SIGNATURES COMPLETED