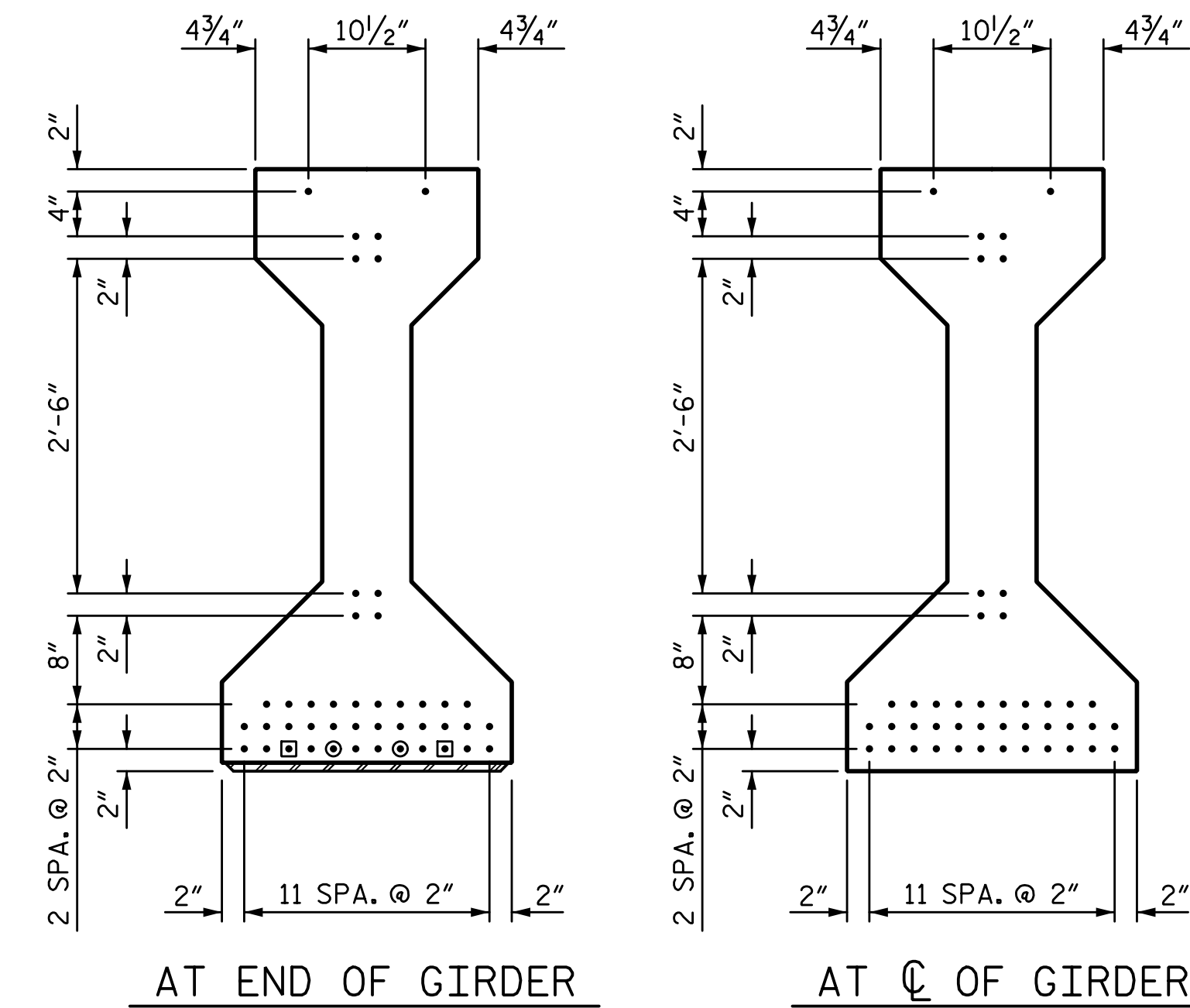
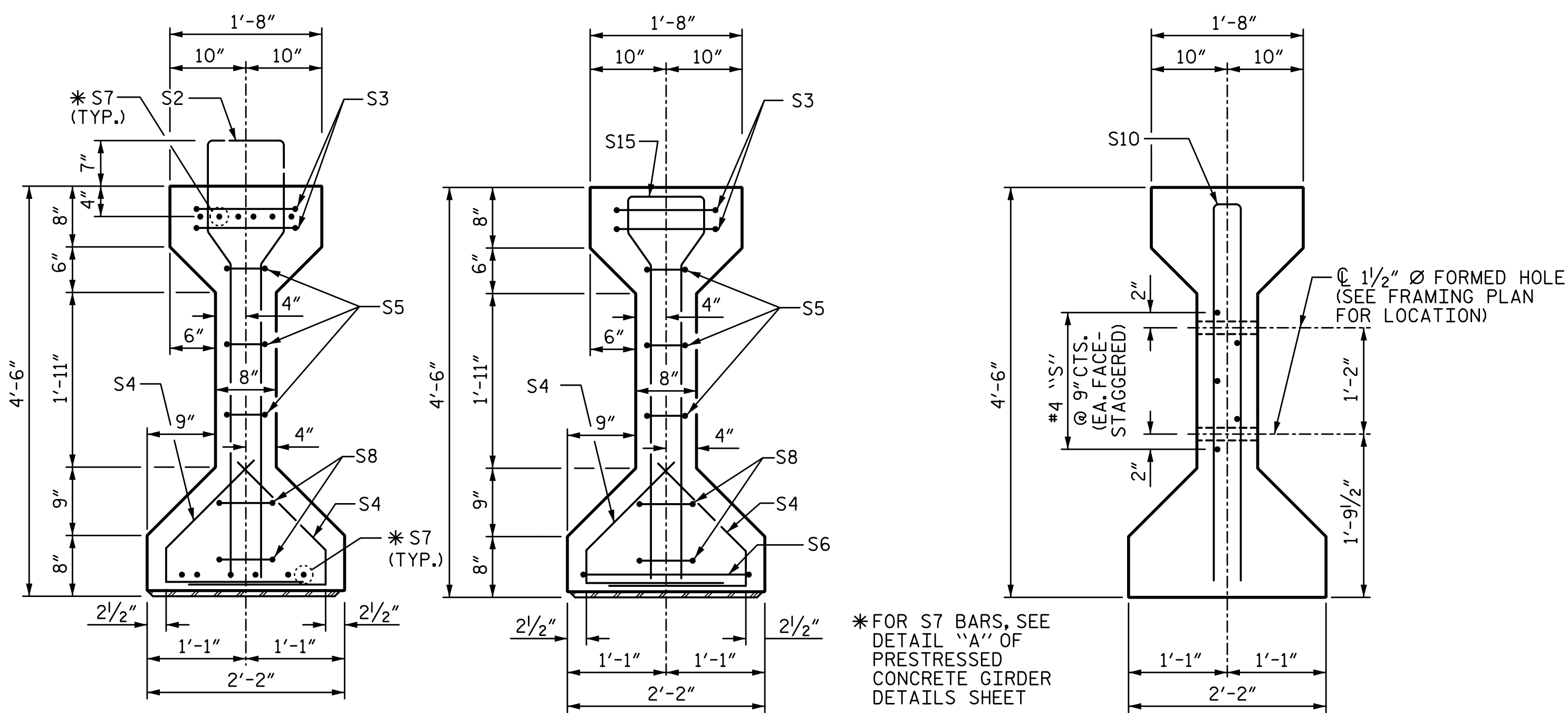


2/7/2023 11:19:28 AM P:\Raleigh\Projects\2018\Division 7 (SEA)\17BP7R142 Guilford 225 (Rehobeth Ch Rd over I-85 Bus)\Structures\Drawings\Final\17BP7R142_SML_G_400225.dgn



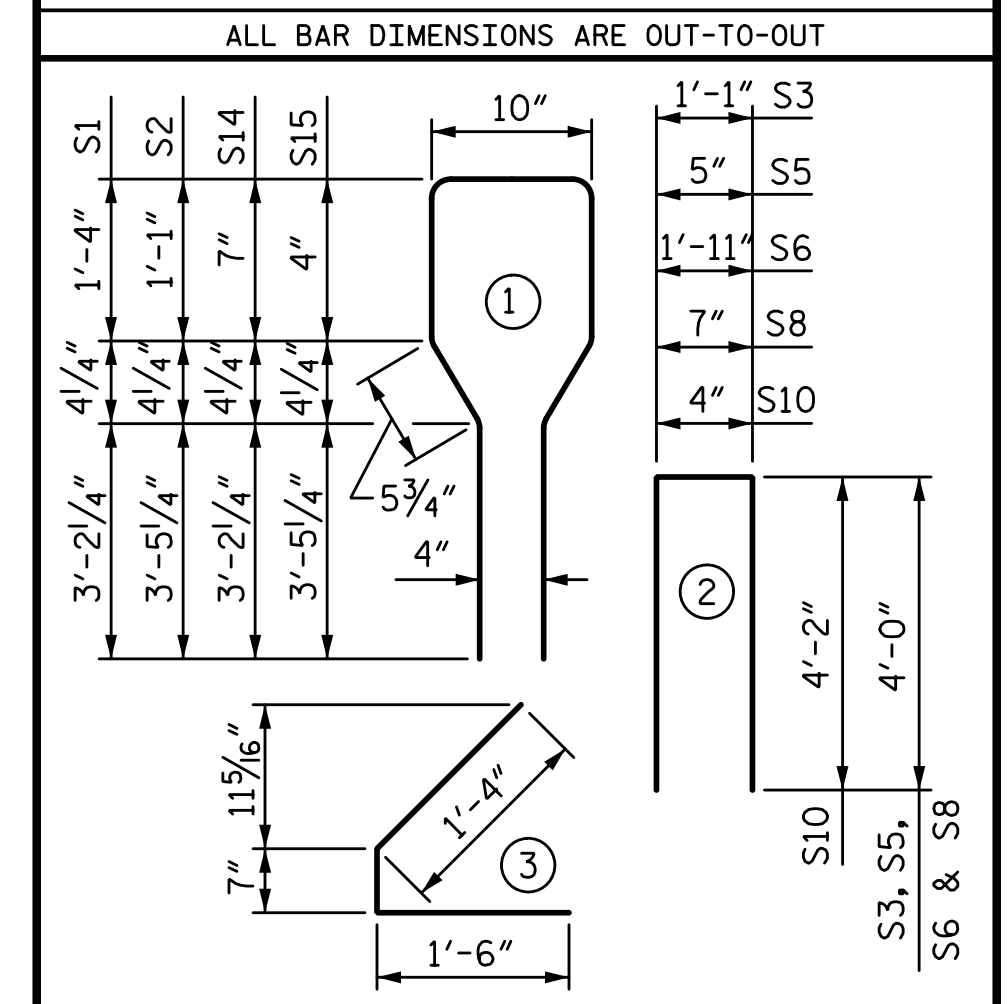
0.6" Ø L. R. GRADE 270 STRANDS

AREA (SQ. INCHES)	ULTIMATE STRENGTH (LBS. PER STRAND)	APPLIED PRESTRESS (LBS. PER STRAND)
0.217	58,600	43,950

REINFORCING STEEL FOR ONE GIRDER

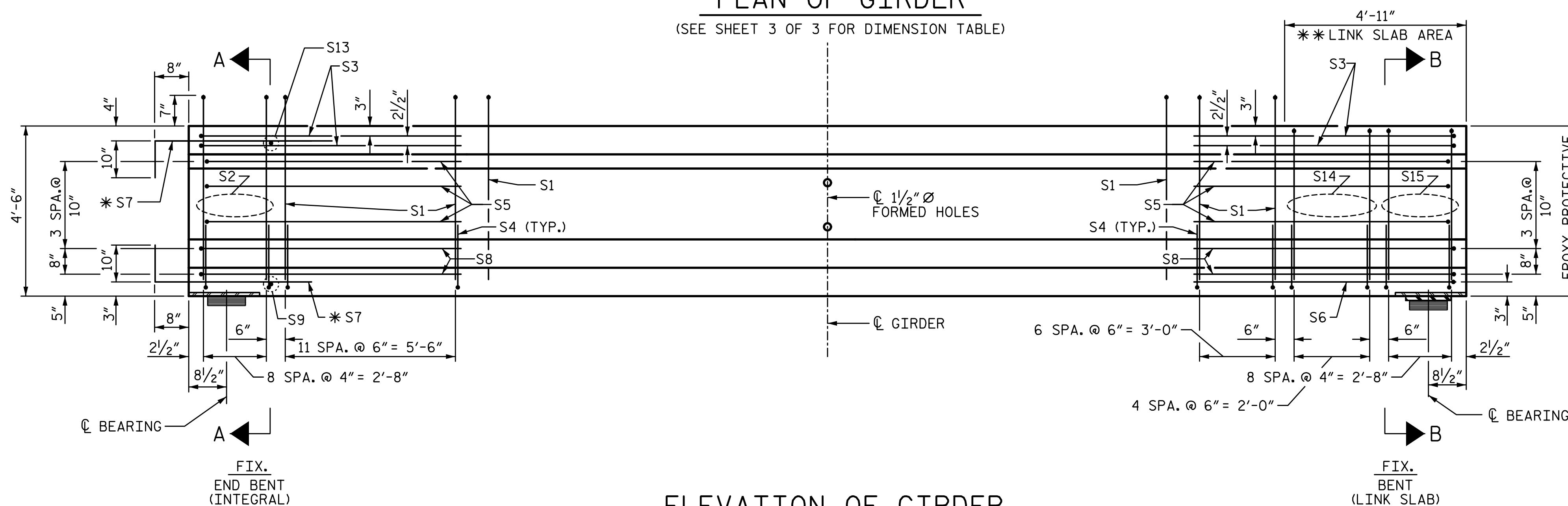
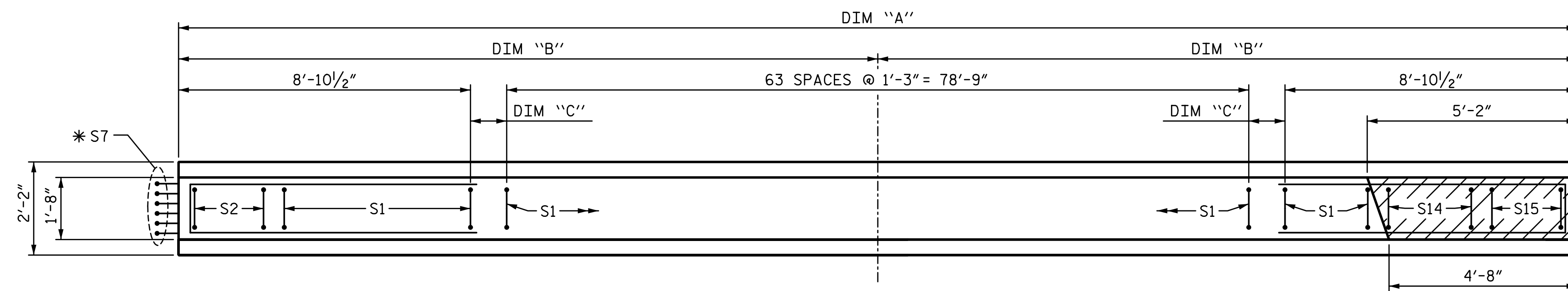
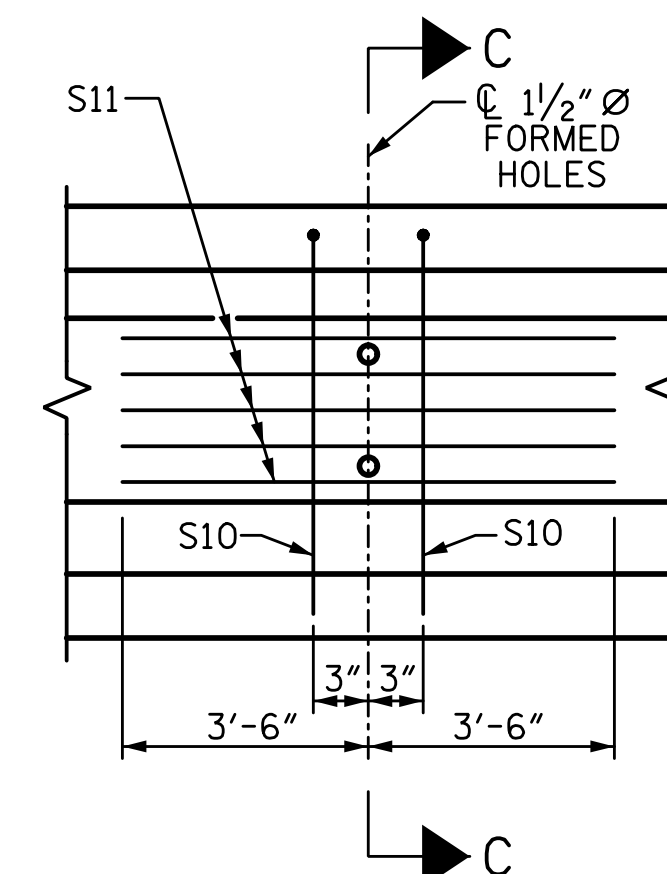
BAR	NO.	SIZE	TYPE	LENGTH	WEIGHT
S1	83	#4	1	10'-10"	601
S2	9	#5	1	10'-10"	102
S3	4	#4	2	9'-1"	24
S4	84	#4	3	3'-5"	192
S5	6	#4	2	8'-5"	34
S6	1	#4	2	9'-11"	7
* S7	12	#5	STR	3'-8"	46
S8	4	#4	2	8'-7"	23
S9	1	#3	STR	1'-10"	1
S10	2	#5	2	8'-8"	18
S11	5	#4	STR	7'-0"	23
S13	1	#3	STR	1'-4"	1
S14	5	#4	1	9'-4"	31
S15	9	#5	1	9'-4"	88

BAR TYPES



DEBONDING LEGEND

- FULLY BONDED STRAND
- STRAND DEBONDED FOR 18'-0" FROM END OF GIRDER
- ◻ STRAND DEBONDED FOR 8'-0" FROM END OF GIRDER



ELEVATION OF GIRDER

(SEE PARTIAL ELEVATION FOR ADDITIONAL "S" BARS)

** DO NOT ROUGHEN TOP OF GIRDER IN THIS AREA

QUANTITIES FOR ONE GIRDER

	REINFORCING STEEL	8,000 PSI CONCRETE	0.6" Ø L. R. STRANDS
	LB	CY	No.
GIRDER	1191	20.0	44

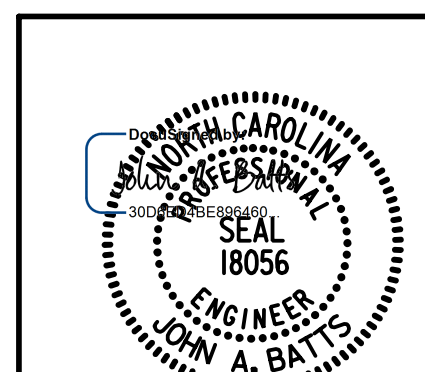
GIRDERS REQUIRED

NUMBER	LENGTH	TOTAL LENGTH
10	VARIES	983.56'

PROJECT NO. BP7.R006.3
GUILFORD COUNTY
 STATION: 18+82.09 -L-

SHEET 1 OF 3

STATE OF NORTH CAROLINA
 DEPARTMENT OF TRANSPORTATION
 RALEIGH
 SUPERSTRUCTURE
 AASHTO TYPE IV
 PRESTRESSED CONCRETE
 GIRDERS 1-5
 SPANS A & B (STAGE 1)



LICENSURE NO. C-4434

2/7/2023 8:52 AM PST

DRAWN BY: S.D. COOPER	DATE: 2-22
CHECKED BY: J.A. BATTS	DATE: 2-22
DESIGN ENGINEER OF RECORD: J.A. BATTS	DATE: 2-22

REVISIONS				SHEET NO.	
NO.	BY:	DATE:	NO.	DATE:	S-27
1			3		TOTAL SHEETS
2			4		58

DOCUMENT NOT CONSIDERED FINAL UNLESS ALL SIGNATURES COMPLETED