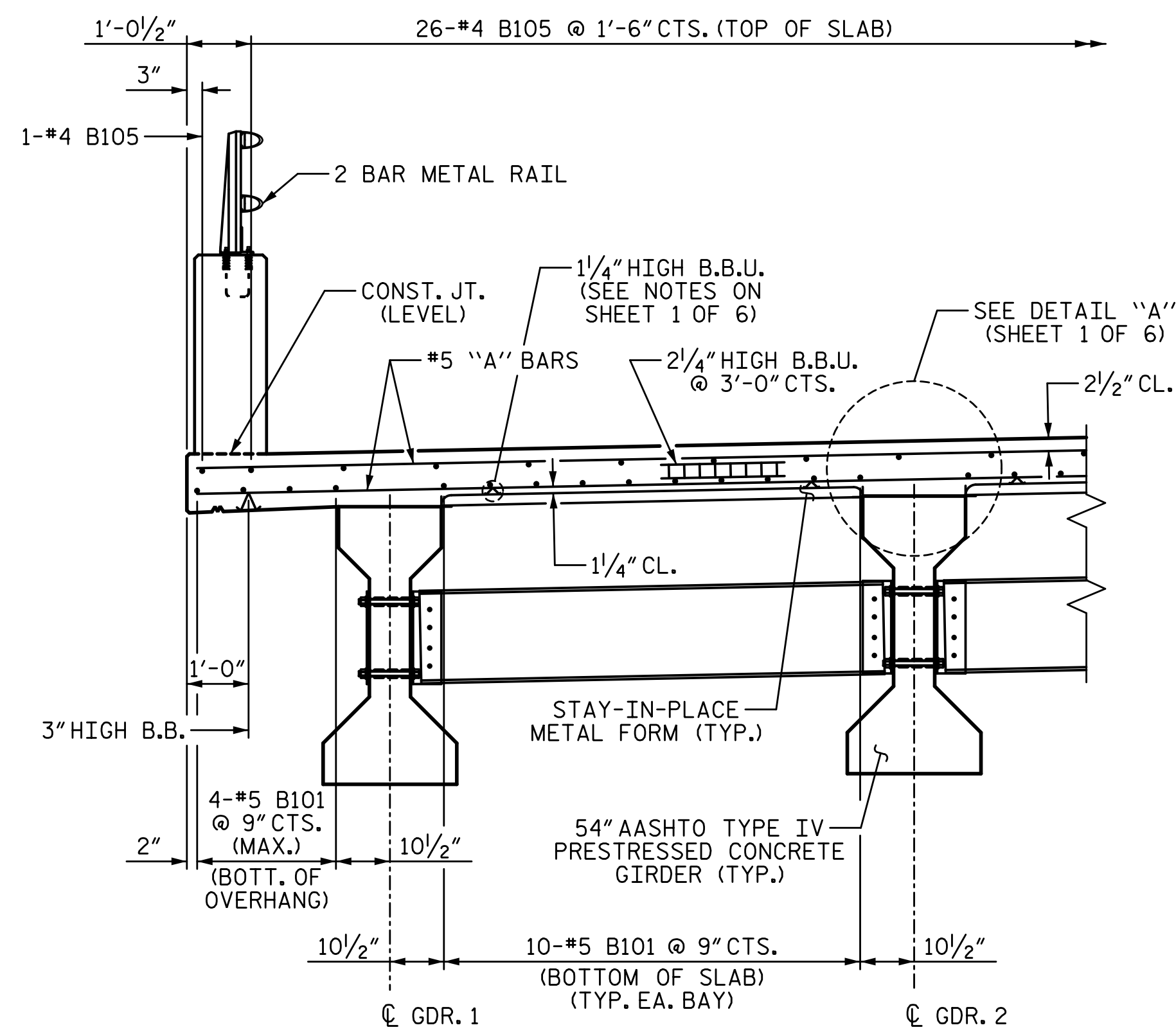
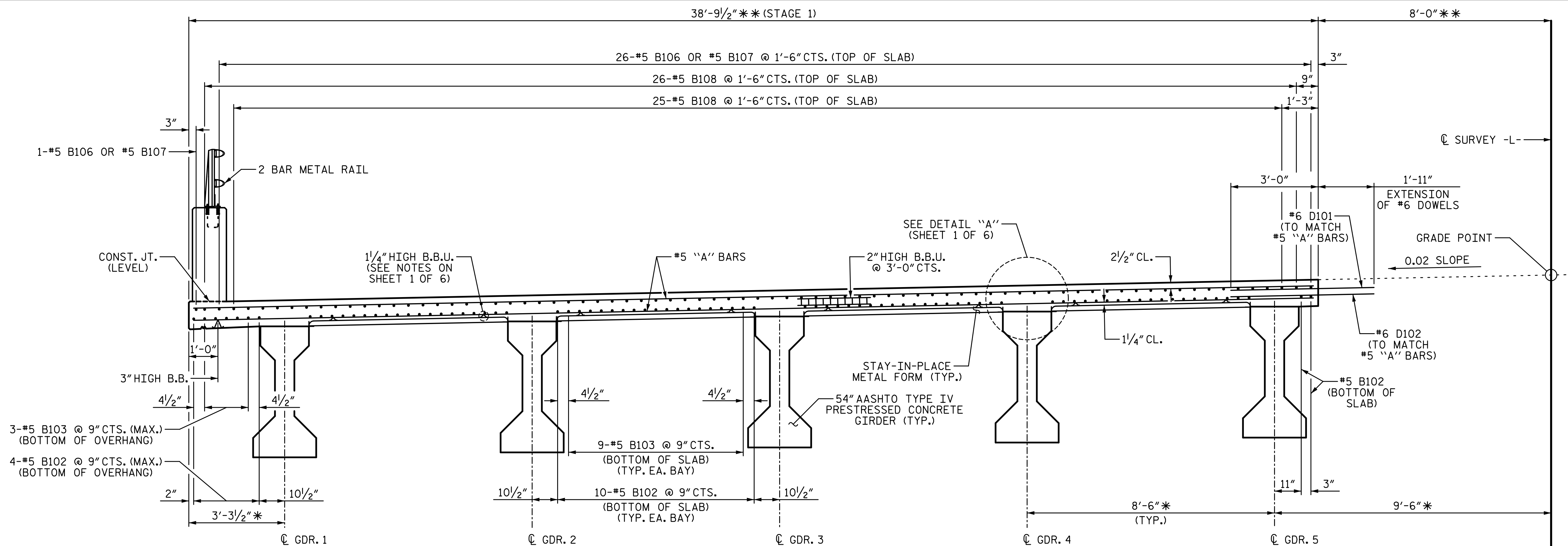


2/7/2023 11:19:18 AM P:\Raleigh\Projects\2018\Division 7 (SEA)\17BP7R142 Guilford 225 (Rehobeth Ch Rd over I-85 Bus)\Structures\Drawings\Final\17BP7R142_SML_TS_400225.dgn



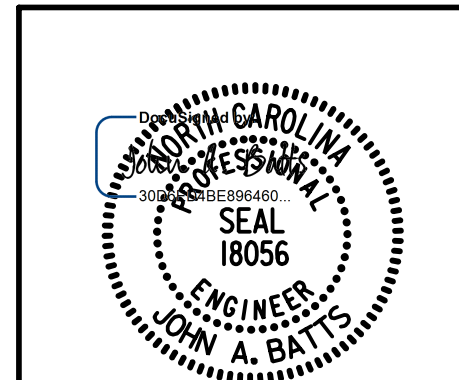
PROJECT NO. BP7.R006.3
GUILFORD COUNTY
 STATION: 18+82.09 -L-

SHEET 3 OF 6

STATE OF NORTH CAROLINA
 DEPARTMENT OF TRANSPORTATION
 RALEIGH
 SUPERSTRUCTURE

TYPICAL SECTION

STAGE 1



| | |
|---------------------------------------|------------|
| DRAWN BY: T. BANKOVICH | DATE: 2-22 |
| CHECKED BY: J.A. BATTS | DATE: 2-22 |
| DESIGN ENGINEER OF RECORD: J.A. BATTS | DATE: 2-22 |

| REVISIONS | | | | | | SHEET NO. |
|-----------|-----|-------|-----|-----|-------|--------------|
| NO. | BY: | DATE: | NO. | BY: | DATE: | S-11 |
| 1 | | | 3 | | | TOTAL SHEETS |
| 2 | | | 4 | | | 58 |

LICENSURE NO. C-4434

**DOCUMENT NOT CONSIDERED FINAL
 UNLESS ALL SIGNATURES COMPLETED**