

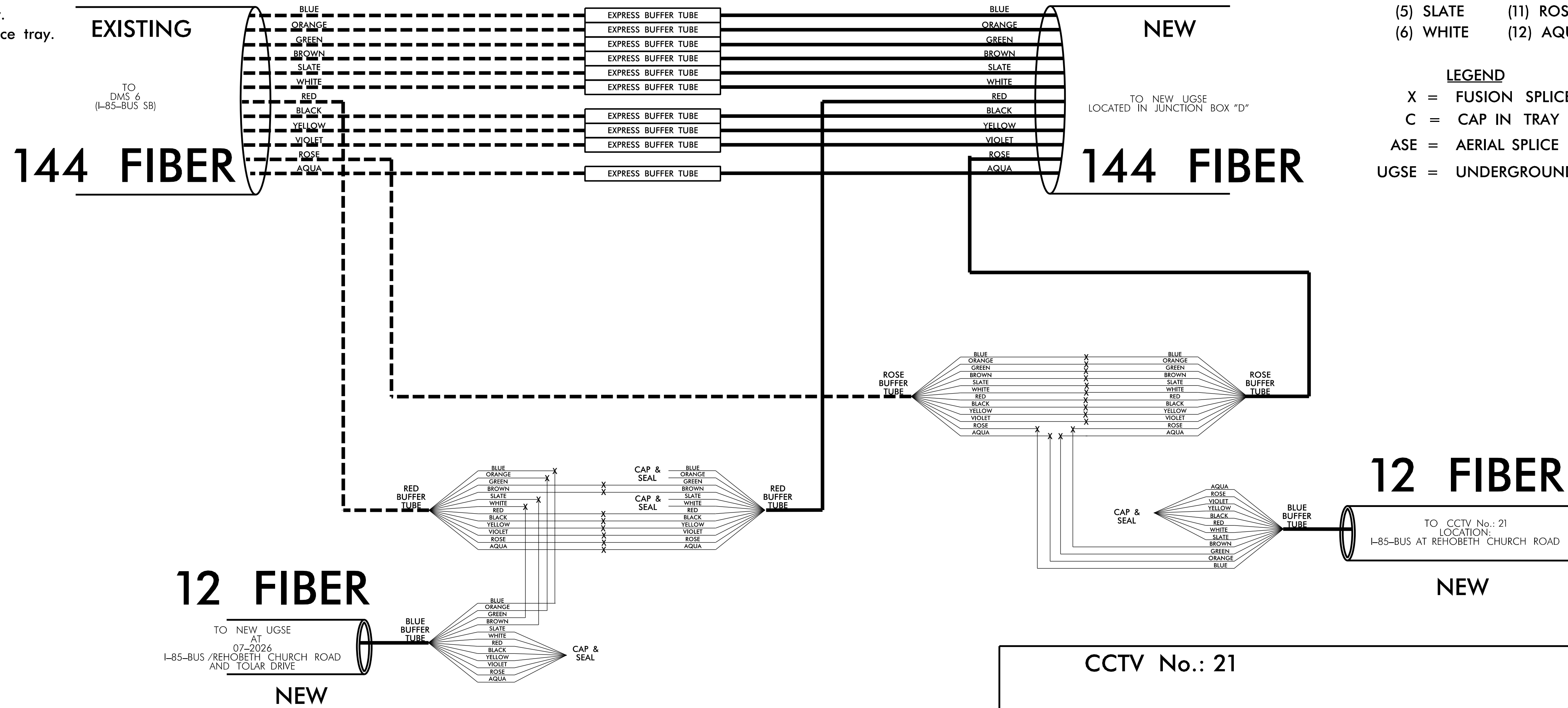
**NEW UGSE AT
JUNCTION BOX "A"
AND
CCTV No.: 21
(I-85-BUS /REHOBETH CHURCH ROAD)**

COLOR CODE
TIA/EIA 598-A

- (1) BLUE (7) RED
- (2) ORANGE (8) BLACK
- (3) GREEN (9) YELLOW
- (4) BROWN (10) VIOLET
- (5) SLATE (11) ROSE
- (6) WHITE (12) AQUA

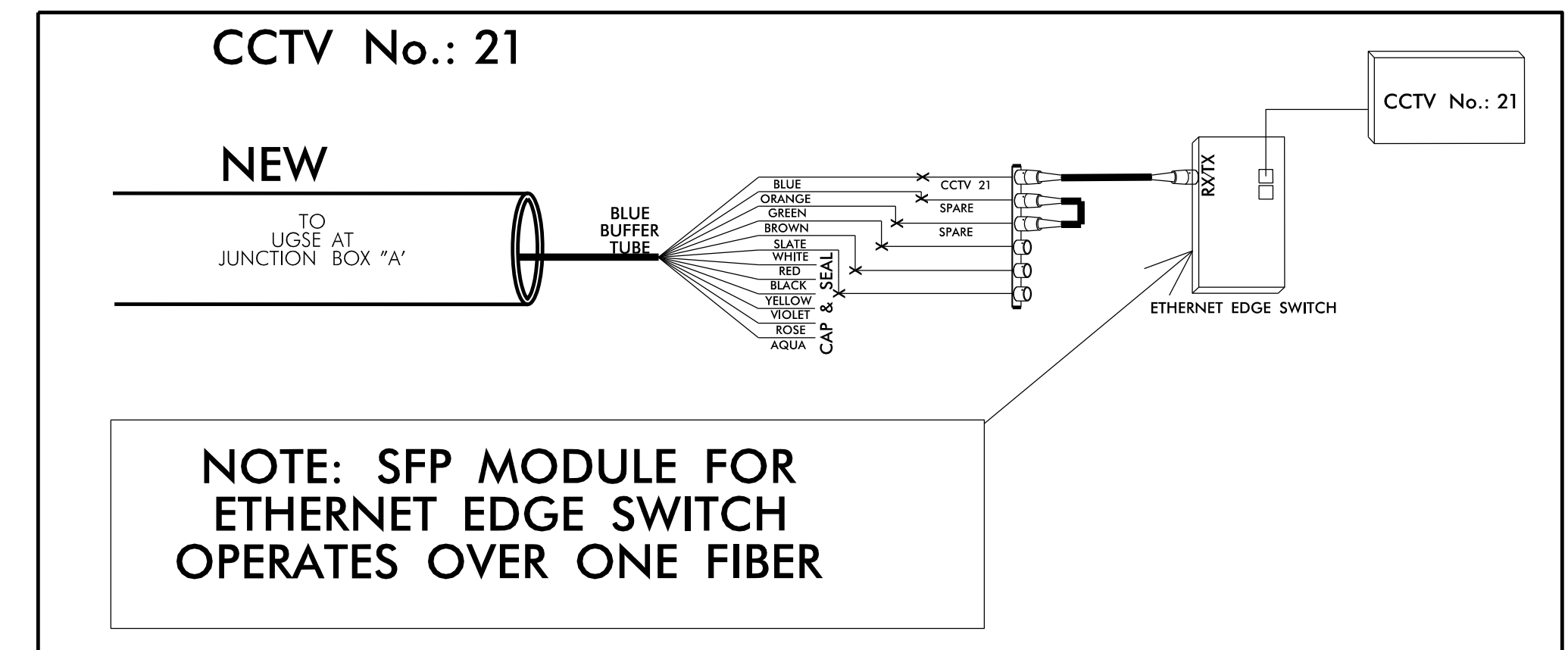
NOTES:

Unused fibers left coiled and stored in splice tray.
Unused Buffer Tubes left coiled and stored in splice tray.



LEGEND

- X = FUSION SPLICE
- C = CAP IN TRAY
- ASE = AERIAL SPLICE ENCLOSURE
- UGSE = UNDERGROUND SPLICE ENCLOSURE



- 1) FIVE (5) DAYS PRIOR TO BEGINNING WORK ON THE FIBER OPTIC CABLE LOCATED ALONG THE I-85 CORRIDOR, CONTACT THE REGIONAL ITS ENGINEER, MIKE VENABLE, AT (336) 315-7080 (EXT 204) TO ARRANGE FOR THE REGIONAL ITS ENGINEER TO PROGRAM THE NEW FIELD ETHERNET SWITCHES WITH THE NECESSARY NETWORK CONFIGURATION DATA, INCLUDING BUT NOT LIMITED TO: THE PROJECT IP ADDRESS, DEFAULT GATEWAY, SUBNET MASK AND VLAN ID INFORMATION. NOTIFY THE REGIONAL ITS ENGINEER AFTER ALL WORK IS PERFORMED TO ENSURE THAT ALL FIBER CIRCUITS ARE FUNCTIONING PROPERLY. WORK IS NOT COMPLETE UNTIL THE DEVICES LOCATED ALONG THIS CORRIDOR ARE BACK UP AND OPERATIONAL
- 2) FIVE (5) DAYS PRIOR TO BEGINNING WORK ON THE FIBER OPTIC CABLE RELATED TO THE CITY OF GREENSBORO'S, TRAFFIC SIGNAL SYSTEM, CONTACT THE CITY'S SIGNAL SYSTEM ENGINEER, CHRIS SPENCER, AT (336) 433-7218 TO ARRANGE FOR THE SIGNAL SYSTEM ENGINEER TO PROGRAM THE NEW FIELD ETHERNET SWITCHES WITH THE NECESSARY NETWORK CONFIGURATION DATA, INCLUDING BUT NOT LIMITED TO: THE PROJECT IP ADDRESS, DEFAULT GATEWAY, SUBNET MASK AND VLAN ID INFORMATION. NOTIFY THE SIGNAL SYSTEM ENGINEER AFTER ALL WORK IS PERFORMED TO ENSURE THAT ALL FIBER CIRCUITS ARE FUNCTIONING PROPERLY. WORK IS NOT COMPLETE UNTIL THE SIGNAL SYSTEM IS BACK UP AND OPERATIONAL
- 3) CONTRACTOR TO RECORD EXISTING SPLICE ARRANGEMENT FOR COMPARISON TO THE SUPPLIED SPLICE DETAILS. IF DISCREPANCIES EXIST, CONTACT THE ENGINEER TO DETERMINE HOW TO PROCEED WITH RESPLICING. PROVIDE AS-BUILT PLANS TO THE ENGINEER IF FINAL SPLICE ARRANGEMENT DIFFERS FROM THE SUPPLIED SPLICE DETAILS.
- 4) ETHERNET SWITCH TERMINATION CONFIGURATIONS ARE GENERIC. CONTRACTOR IS RESPONSIBLE FOR DETERMINING \ ENSURING PROPER TERMINATIONS.
- 5) INCLUDE ON THE COVER OF EACH SPLICE TRAY THE FOLLOWING: REFERENCE SECTION 1731 "FIBER OPTIC SPLICE ENCLOSURE"
 - 1) SPLICE LOCATION
 - 2) DATE
 - 3) COMPANY NAME
 - 4) NAME OF INDIVIDUAL PERFORMING THE SPLICING

PRIOR TO INSTALLING THE COVER ON THE SPLICE TRAY TAKE A DIGITAL PHOTOGRAPH SHOWING THE SPLICE TRAY AND INFORMATION SHOWN ABOVE (1-4) AND SUBMIT PHOTOGRAPH ALONG WITH OTDR TEST RESULTS.

SEE "ICT" FOR FIBER OPTIC CABLE WORK

DOCUMENT NOT CONSIDERED FINAL
UNLESS ALL SIGNATURES COMPLETED

 MOTT MACDONALD <small>7621 Purfoy Road Suite 115 Fayetteville, NC 27526 www.mottmac.com License No. P-0669</small>	 <small>Prepared for the Offices of: Department of Transportation 250 N. Greenfield Pkwy., Garner, NC 27529</small>	SPLICE DETAIL		 <small>DocuSigned by: Russell W. Thompson DATE</small>
		Division 07 Guilford Co., Greensboro		
		REVISIONS	INIT. DATE	