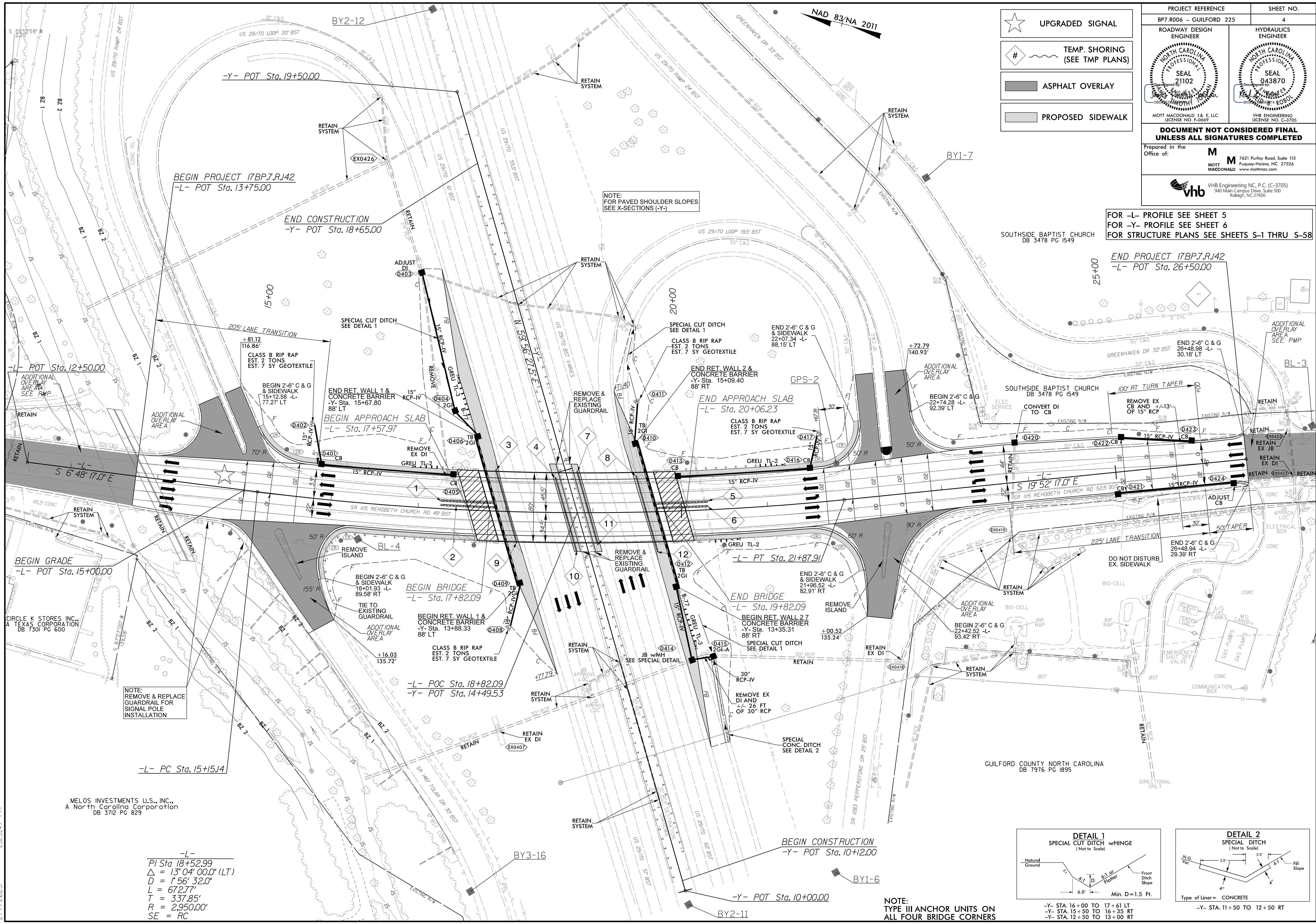


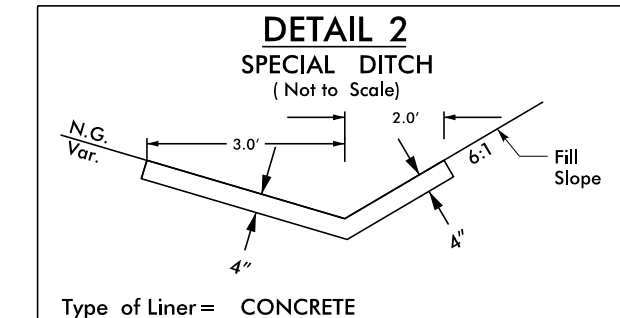
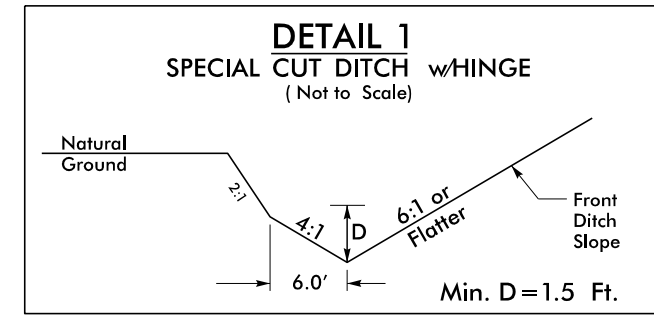
PROJECT REFERENCE BP7.R006 - GUILFORD 225	SHEET NO. 4
ROADWAY DESIGN ENGINEER	HYDRAULICS ENGINEER
MOTT MACDONALD 1 & E, LLC LICENSE NO. F-06697	VHB ENGINEERING LICENSE NO. C-3705
DOCUMENT NOT CONSIDERED FINAL UNLESS ALL SIGNATURES COMPLETED	
Prepared in the Office of: M	
MOTT MACDONALD 7621 Purfoy Road, Suite 115 Fuquay-Varina, NC 27526	
VHB Engineering N.C., P.C. (C-3705) 940 Main Campus Drive, Suite 500 Raleigh, NC 27606	

FOR -L- PROFILE SEE SHEET 5
FOR -Y- PROFILE SEE SHEET 6
FOR STRUCTURE PLANS SEE SHEETS S-1 THRU S-58



NOTE:
REMOVE & REPLACE
GUARDRAIL FOR
SIGNAL POLE
INSTALLATION

NOTE:
FOR PAVED SHOULDER SLOPES
SEE X-SECTIONS (-Y-)



-Y- STA. 16+00 TO 17+61 LT
-Y- STA. 15+50 TO 16+35 RT
-Y- STA. 12+50 TO 13+00 RT

NOTE:
TYPE III ANCHOR UNITS ON
ALL FOUR BRIDGE CORNERS

MELOS INVESTMENTS U.S., INC.,
A North Carolina Corporation
DB 3712 PG 829

-L-
PI Sta 18+52.99
Δ = 13° 04' 00.0" (LT)
D = 1' 56' 32.0"
L = 672.77'
T = 337.85'
R = 2,950.00'
SE = RC

default
R:\Roadway\Proj\400225_r\dj_psh.dgn
2/7/2023 2:25:47 PM