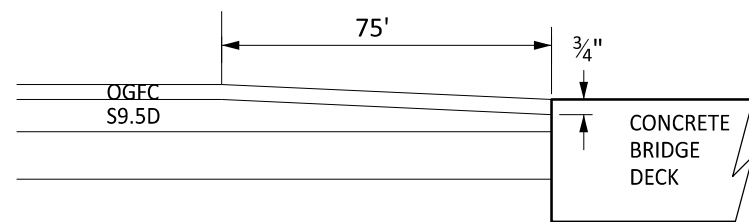
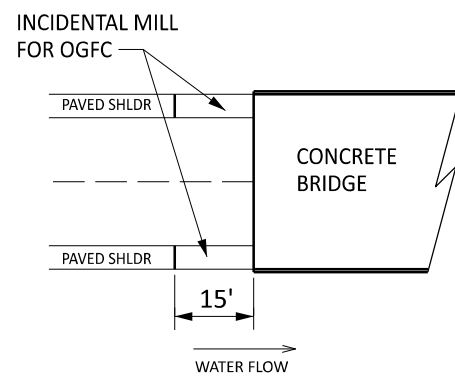


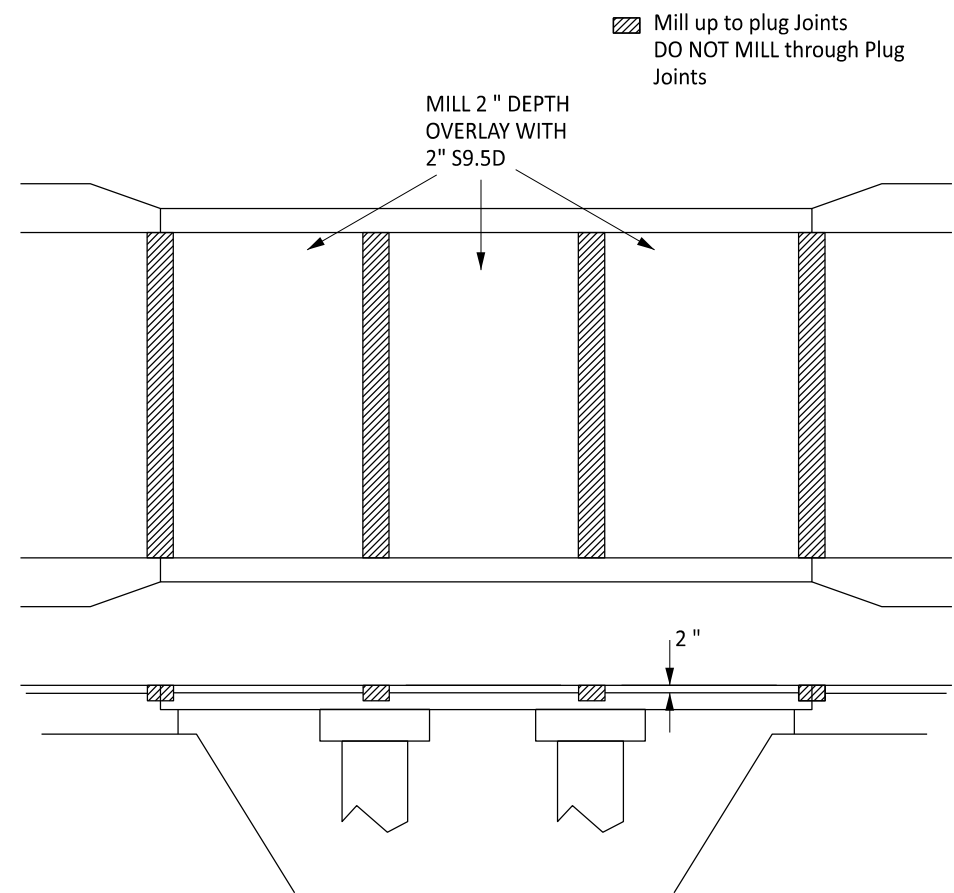
**DETAIL - GORE AREAS**



**INCIDENTAL MILLING PAVEMENT  
DETAIL AT CONCRETE BRIDGES**



**MILLING DETAIL 1**



**ASPHALT BRIDGE MILLING**

**NOTE**  
 Mill and Fill AWS with S9.5D and Overlay with OGFC.  
 OGFC may be placed directly over existing plug joints.  
 Overlay to create a smooth rideable surface over plug joints.