


8/17/99
CONTRACT: TIP PROJECT: BR-0073

STATE OF NORTH CAROLINA
DEPARTMENT OF TRANSPORTATION

PAVEMENT MARKING PLANS
COLUMBUS COUNTY

LOCATION: BRIDGE NO. 230005 ON US 76 OVER GAPWAY SWAMP

TIP NO. BR-0073	SHEET NO. PMP-1
APPROVED: _____ DATE: 2/13/2023	
SEAL 	
DOCUMENT NOT CONSIDERED FINAL UNLESS ALL SIGNATURES COMPLETED	

INDEX

SHEET NO.	DESCRIPTION
PMP-1	PAVEMENT MARKING TITLE SHEET
PMP-2	PAVEMENT MARKING SCHEDULE & DETAILS

PAVEMENT MARKING GENERAL NOTES

THE FOLLOWING GENERAL NOTES APPLY AT ALL TIMES FOR THE DURATION OF THE CONSTRUCTION PROJECT, EXCEPT WHEN OTHERWISE NOTED IN THE PLAN, OR DIRECTED BY THE ENGINEER.

A) INSTALL PAVEMENT MARKINGS AND PAVEMENT MARKERS ON THE FINAL SURFACE AS FOLLOWS:

ROAD NAME	MARKING	MARKER
US 76 -L-	THERMOPLASTIC	PERMANENT RAISED
US 76 -L- (BRIDGE)	POLYUREA	PERMANENT RAISED

B) TIE PROPOSED PAVEMENT MARKING LINES TO EXISTING PAVEMENT MARKING LINES.

C) REMOVE/REPLACE ANY CONFLICTING/DAMAGED PAVEMENT MARKINGS AND MARKERS.

D) PASSING ZONE WILL BE DETERMINED IN THE FIELD AND MUST BE APPROVED BY THE ENGINEER.

E) REMOVE ALL RESIDUE AND SURFACE LAITANCE BY ACCEPTABLE METHODS ON CONCRETE BRIDGE DECKS PRIOR TO PLACING POLYUREA PAVEMENT MARKING MATERIAL.

ROADWAY STANDARD DRAWING

THE FOLLOWING ROADWAY STANDARDS AS APPEAR IN "ROADWAY STANDARD DRAWINGS" - N.C. DEPARTMENT OF TRANSPORTATION - RALEIGH, N.C., DATED JANUARY 2018 ARE APPLICABLE TO THIS PROJECT AND BY REFERENCE HEREBY ARE CONSIDERED A PART OF THESE PLANS:

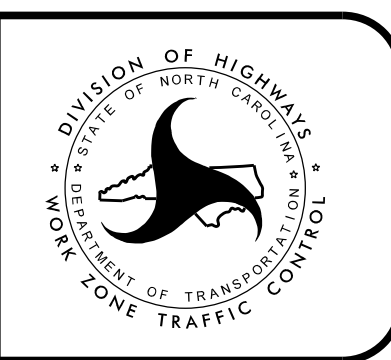
STD. NO.	TITLE
1205.01	PAVEMENT MARKINGS - LINE TYPES AND OFFSETS
1205.02	PAVEMENT MARKINGS - TWO-LANE AND MULTILANE ROADWAYS
1205.12	PAVEMENT MARKINGS - BRIDGES
1250.01	RAISED PAVEMENT MARKERS - INSTALLATION SPACING
1251.01	RAISED PAVEMENT MARKERS - PERMANENT AND TEMPORARY
1261.01	GUARDRAIL AND BARRIER DELINEATORS - INSTALLATION SPACING
1261.02	GUARDRAIL AND BARRIER DELINEATORS - TYPES AND MOUNTING
1262.01	GUARDRAIL END DELINEATION

SUMMARY OF QUANTITIES

ITEM NO.	ITEM DESCRIPTION	QUANTITY	UNIT
4192000000-N	DISPOSAL OF SUPPORT, U-CHANNEL	2	EA.
4238000000-N	DISPOSAL OF SIGN D, E, OR F	2	EA.
4685000000-E	THERMOPLASTIC PAVEMENT MARKING LINES (4", 90 MILS)	3416	L.F.
4847010000-E	POLYUREA PAVEMENT MARKING LINES (4", 20 MILS)	648	L.F.
4900000000-N	PERMANENT RAISED PAVEMENT MARKERS	13	EA.

PLAN REVIEWED BY: N.C.D.O.T. SIGNING AND DELINEATION UNIT


AYMAN ALQUDWAH, PE, CPM SIGNING & DELINEATION REGIONAL ENGINEER
DERRICK BEARD SIGNING & DELINEATION PROJECT DESIGN ENGINEER

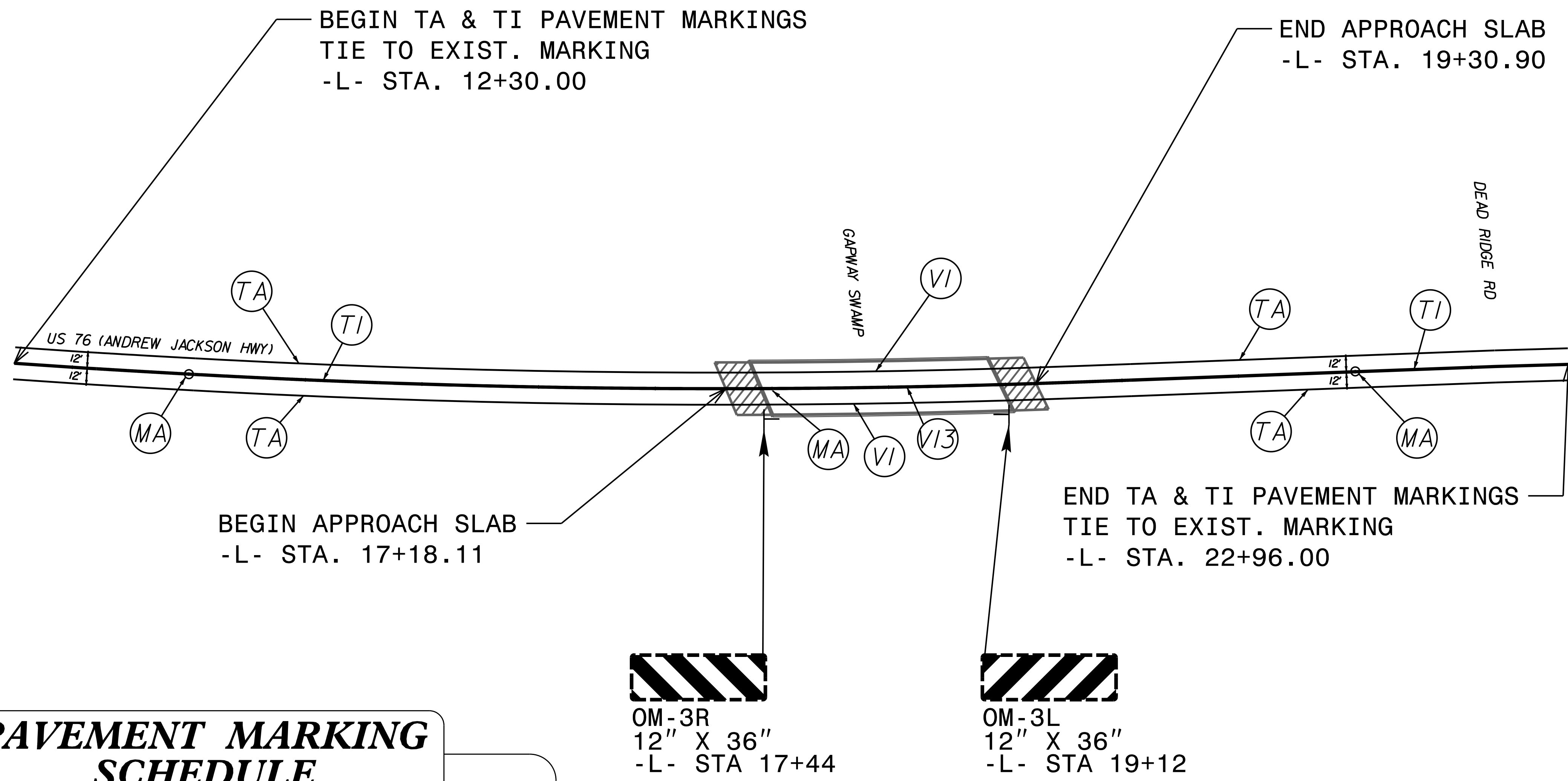
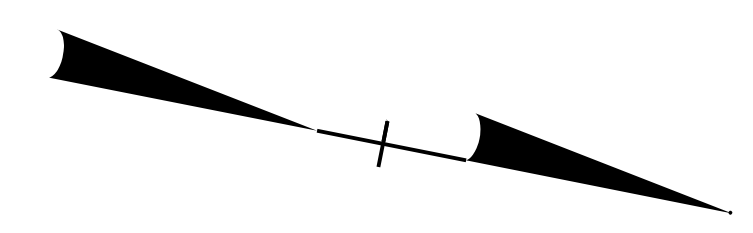


PLANS PREPARED BY:
VOLKERT, Inc.

EMILY MURRAY, P.E. PROJECT ENGINEER
ZACHARY THORNTON, P.E. PROJECT DESIGN ENGINEER

VOLKERT
 5430 Wade Park Blvd., Suite 410
 Raleigh, NC 27606
 Tel. 919-854-0344 Fax. 919-854-0355
 NC License No. F-0765

TIP NO. BR-0073	SHEET NO. PMP-02
APPROVED: _____	
DATE: 1/9/2023	
SEAL	
	



PAVEMENT MARKING SCHEDULE

SYMBOL	DESCRIPTION
TA	THERMO (4", 90 MIL) WHITE EDGELINE
TI	YELLOW DOUBLE CENTER
V1	POLYUREA (4", 20 MIL) WHITE EDGELINE
V13	YELLOW DOUBLE CENTER
MA	PERMANENT RAISED PAVEMENT MARKER YELLOW & YELLOW

DISPOSAL OF EXISTING SIGN SYSTEMS

VOLKERT
 5430 Wade Park Blvd., Suite 410
 Raleigh, NC 27606
 Tel. 919-854-0344 Fax: 919-854-0355
 NC License No. F-0765

FINAL PAVEMENT SCHEDULE & DETAIL