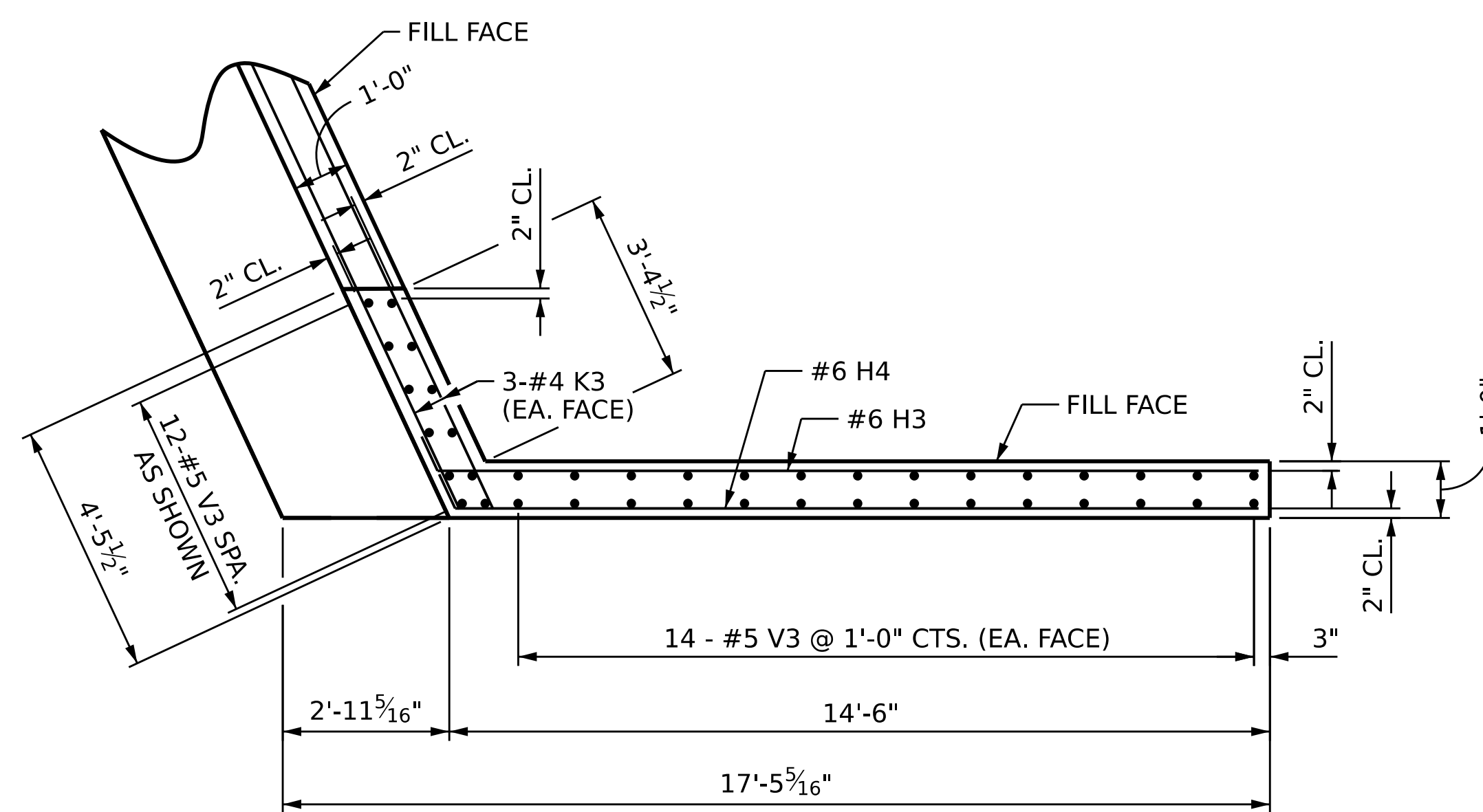
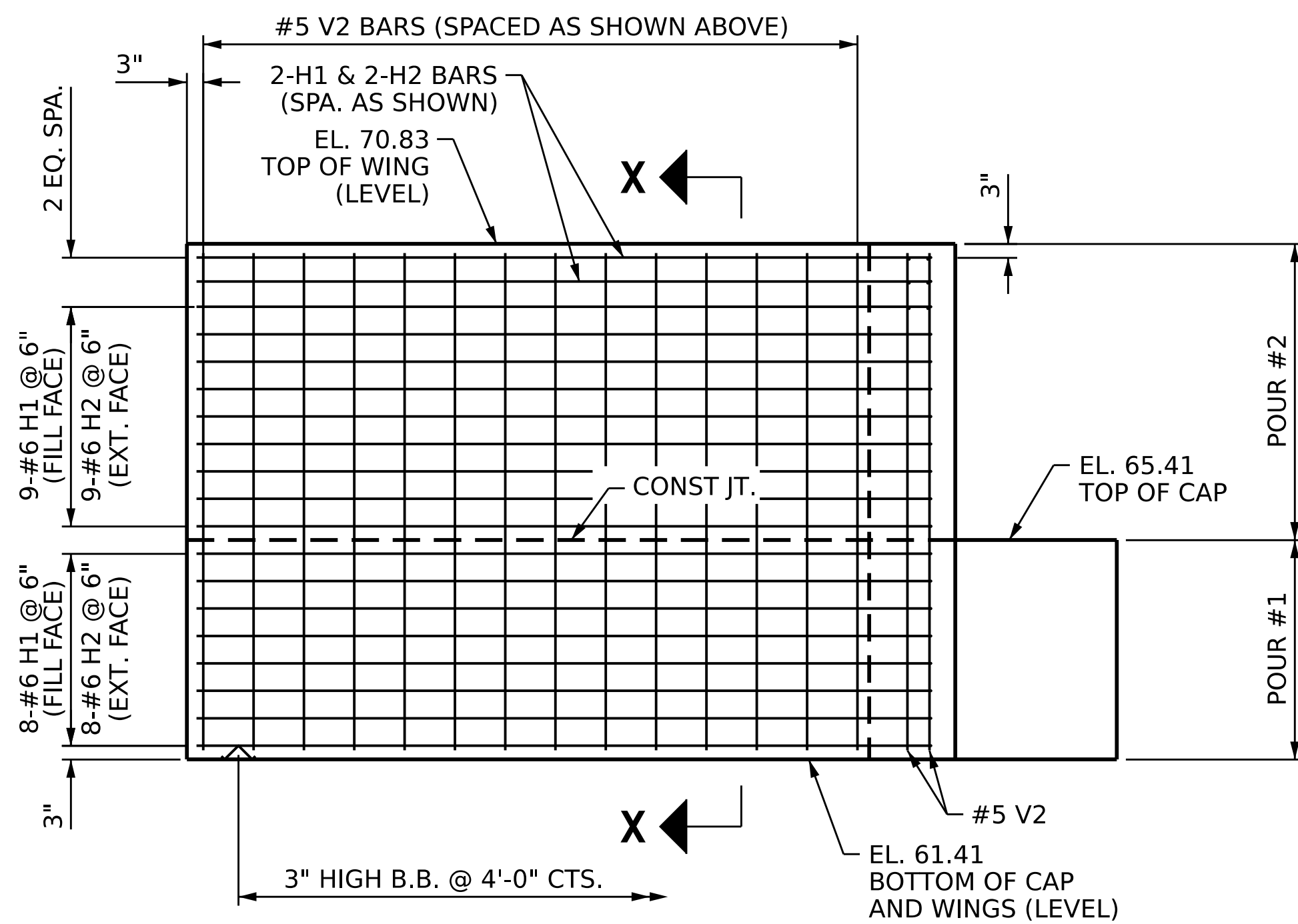


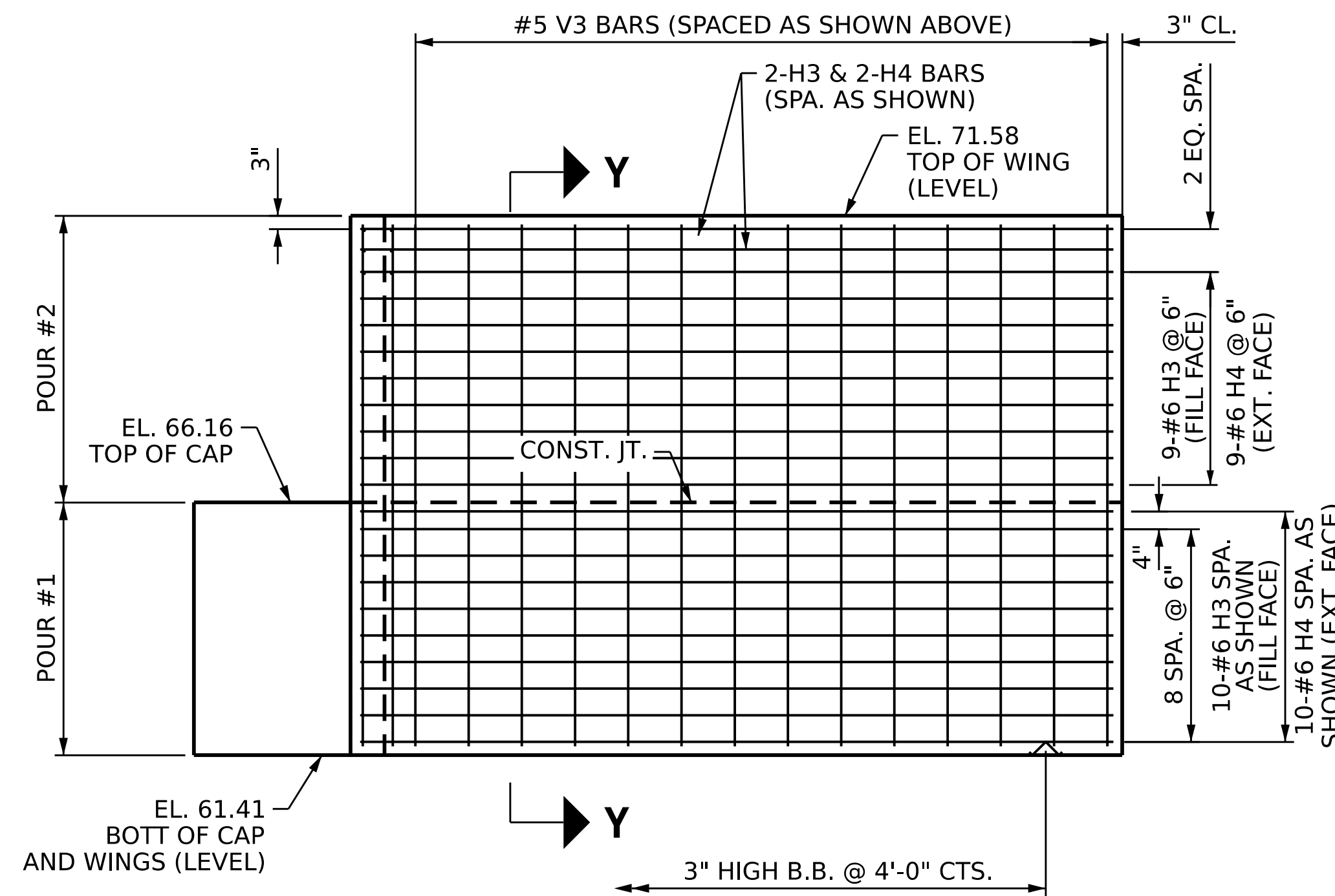
PLAN OF WING 1



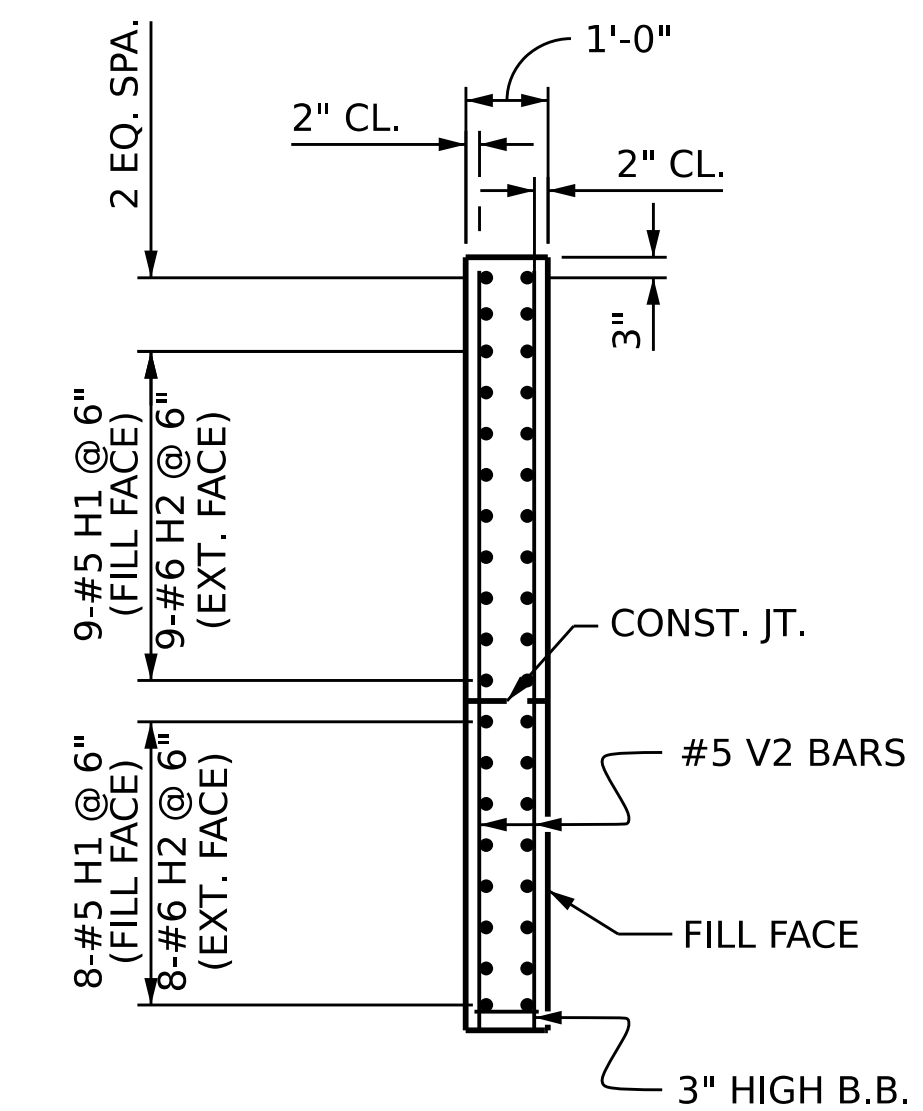
PLAN OF WING 2



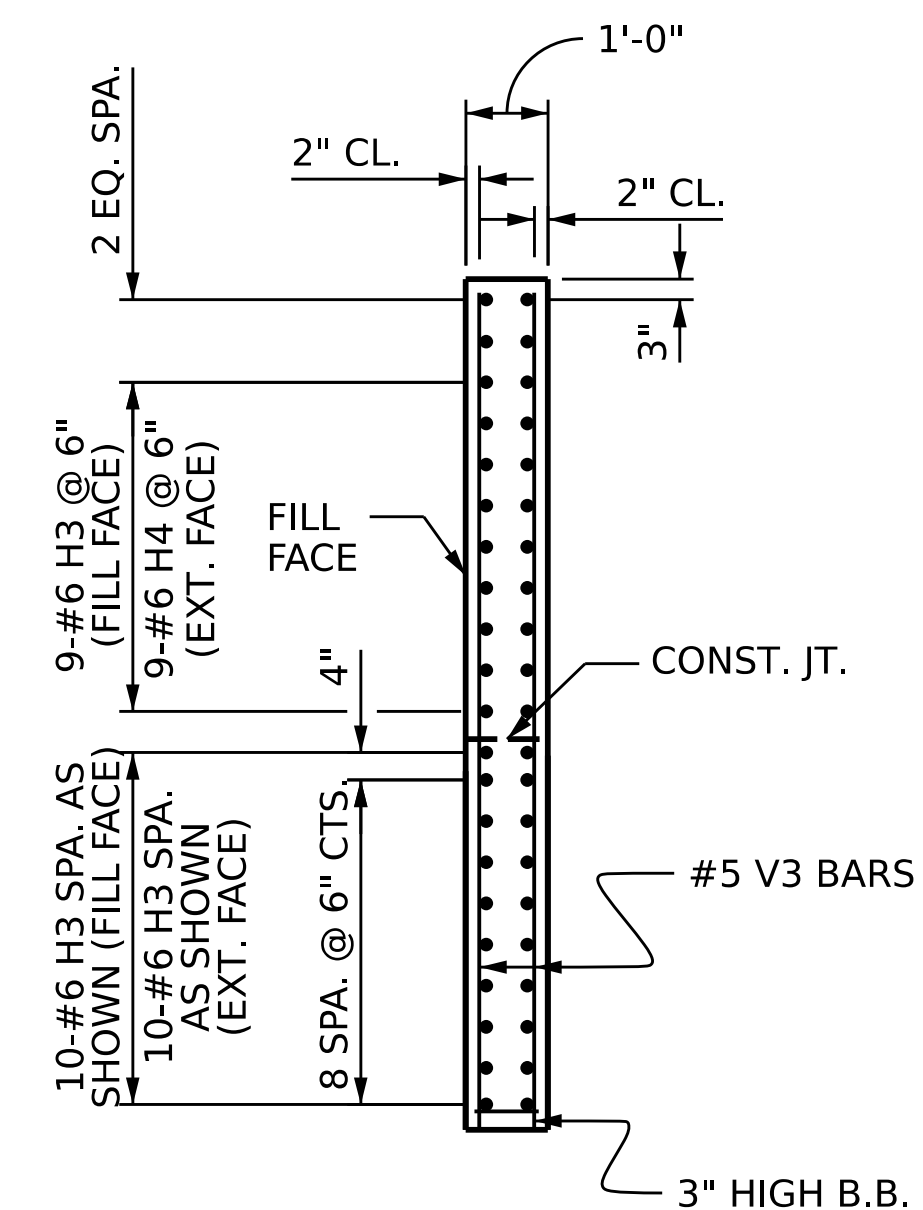
ELEVATION OF WING 1



ELEVATION OF WING 2



SECTION X-X



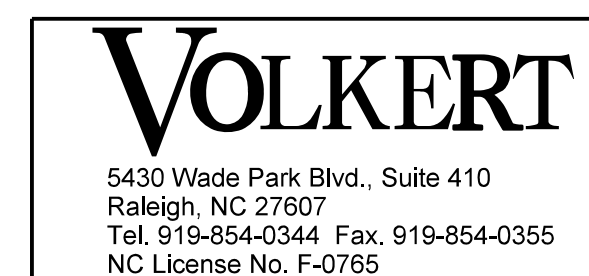
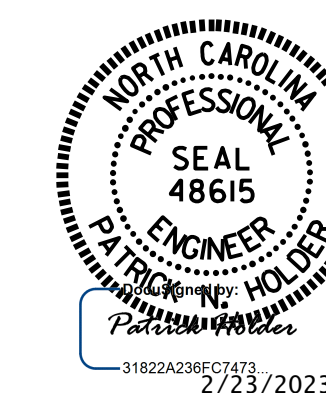
SECTION Y-Y

PROJECT NO. **BR-0073**
COLUMBUS COUNTY
 STATION: **18+24.50 -L-**

SHEET 2 OF 3

STATE OF NORTH CAROLINA
 DEPARTMENT OF TRANSPORTATION
 RALEIGH

SUBSTRUCTURE
END BENT 2



DOCUMENT NOT CONSIDERED
 FINAL UNLESS ALL
 SIGNATURES COMPLETED

REVISIONS		NO.		DATE		BY	
1		3					
2		4					

SHEET NO.
S-34
 TOTAL SHEETS
38

DRAWN BY: **B. H. BARNHILL** DATE: **10/22**
 CHECKED BY: **D. GLADDEN** DATE: **11/22**
 DESIGN ENGINEER OF RECORD: **P. N. HOLDER** DATE: **11/22**