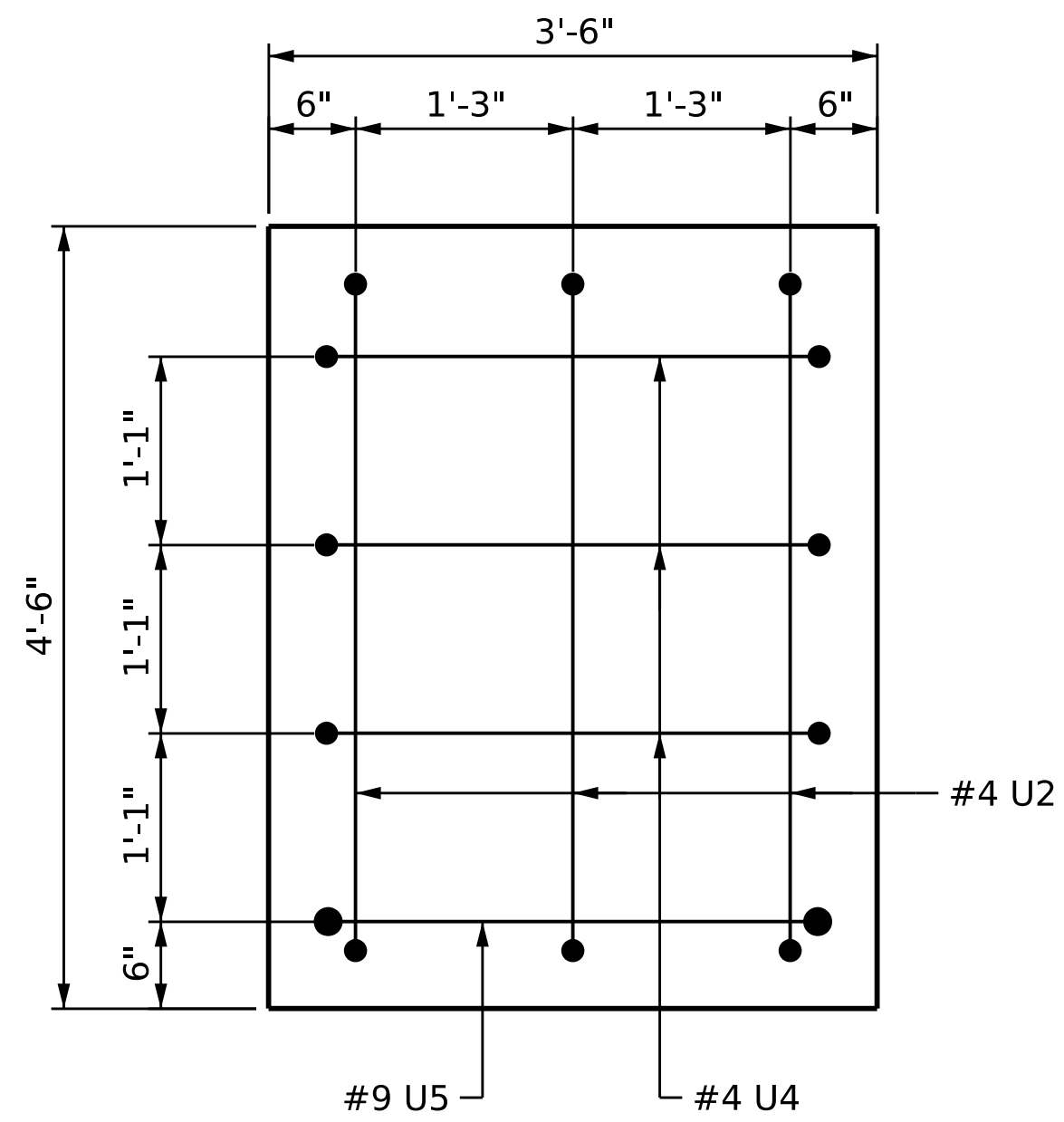
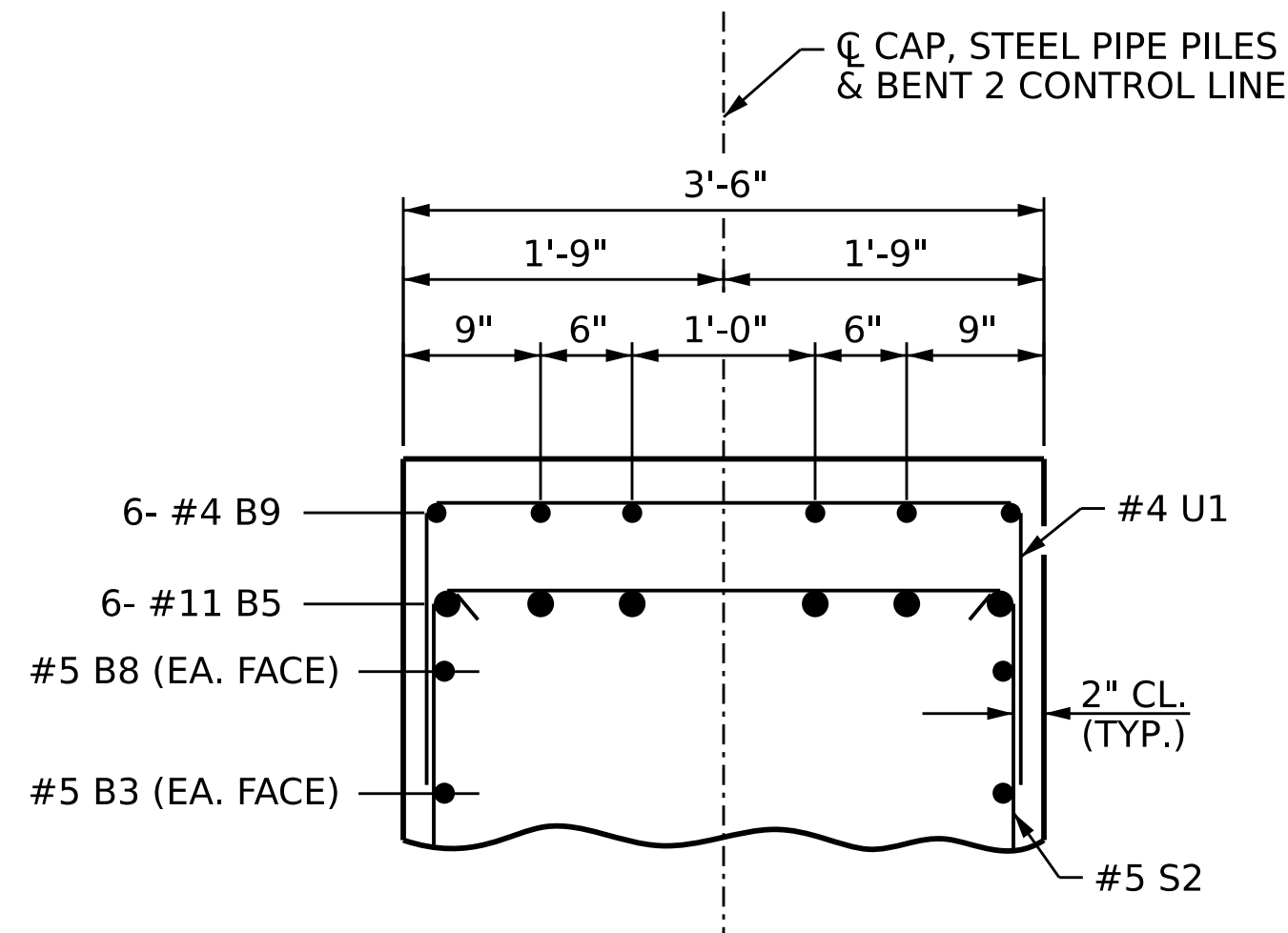


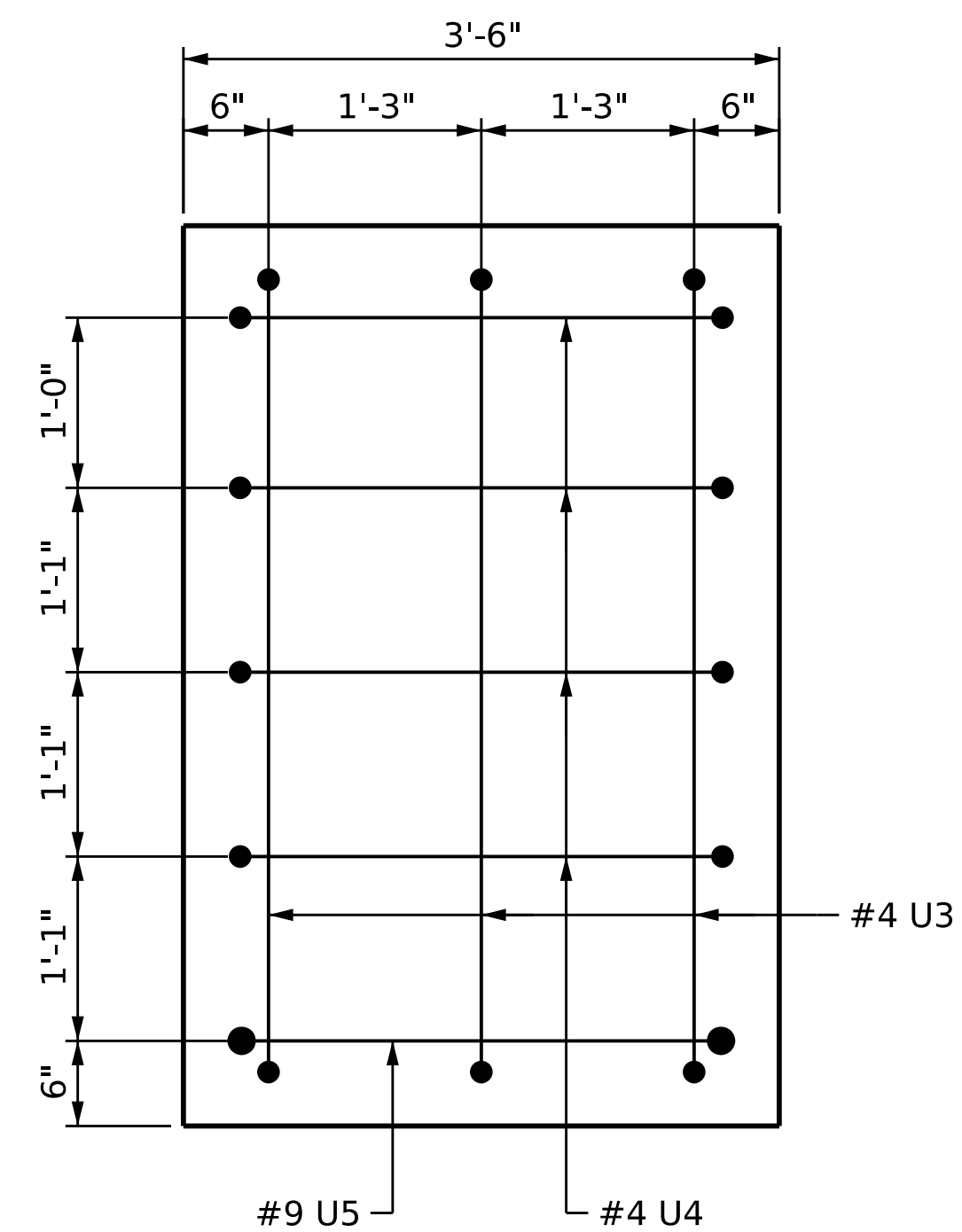
**SECTION A-A**



**VIEW X-X**

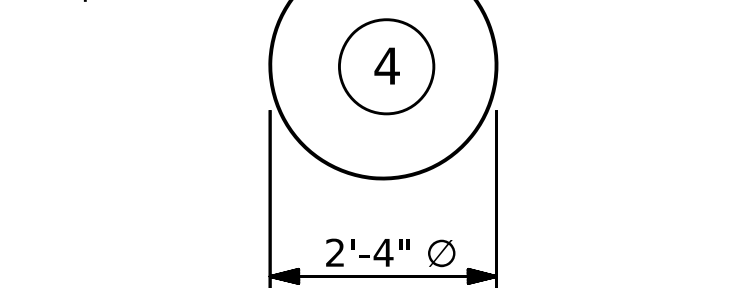
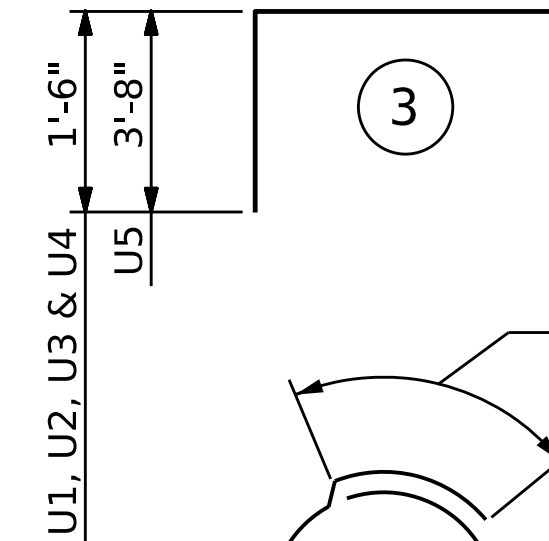
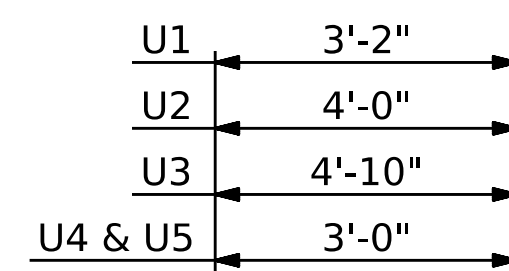
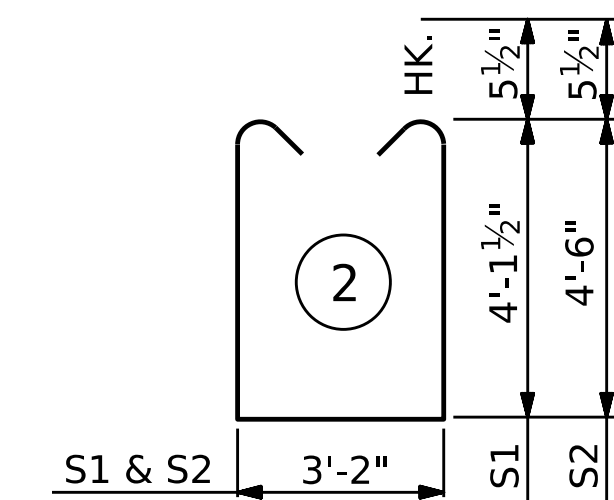
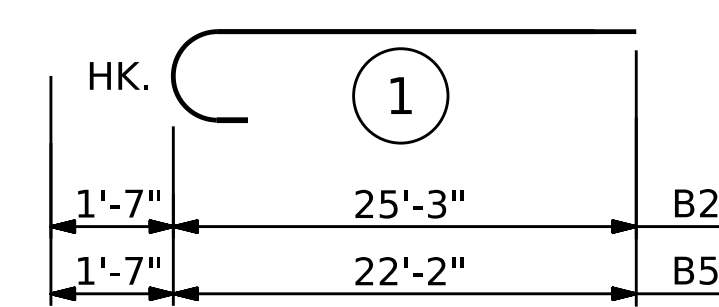


**PARTIAL SECTION B-B**



**VIEW Y-Y**

**BAR TYPES**



ALL DIMENSIONS ARE OUT TO OUT

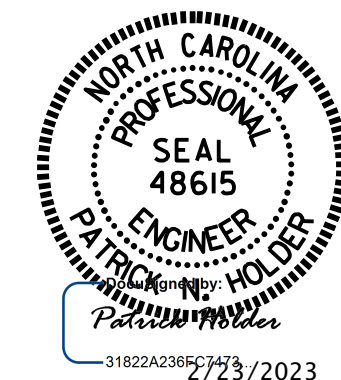
**BILL OF MATERIAL**

BENT 2					
BAR	NO.	SIZE	TYPE	LENGTH	WEIGHT
B1	4	#11	5	43'-10"	932
B2	6	#11	1	26'-10"	855
B3	10	#5	STR	40'-8"	424
B4	12	#4	STR	8'-9"	70
B5	6	#11	1	23'-9"	757
B6	8	#4	STR	22'-10"	122
B7	14	#4	STR	3'-2"	30
B8	2	#5	STR	17'-1"	36
B9	6	#4	STR	4'-1"	16
S1	32	#5	2	12'-4"	412
S2	36	#5	2	13'-1"	491
S3	28	#4	4	8'-7"	161
U1	48	#4	3	6'-2"	198
U2	3	#4	3	7'-0"	14
U3	3	#4	3	7'-10"	16
U4	7	#4	3	6'-0"	28
U5	2	#9	3	10'-4"	70

REINFORCING STEEL 4632 LBS.  
 CLASS A CONCRETE CAP 25.0 CU. YDS.  
 NOTE: CONCRETE DISPLACED BY GALVANIZED STEEL PIPE PILES HAS BEEN DEDUCTED FROM THE CONCRETE QUANTITY.

PROJECT NO. **BR-0073**  
**COLUMBUS** COUNTY  
 STATION: **18+24.50 -L-**

SHEET 2 OF 2



STATE OF NORTH CAROLINA  
 DEPARTMENT OF TRANSPORTATION  
 RALEIGH

**SUBSTRUCTURE**  
**BENT 2**

REVISIONS					SHEET NO.
NO.	BY:	DATE:	NO.	BY:	DATE:
1			3		
2			4		

**VOLKERT**  
 5430 Wade Park Blvd., Suite 410  
 Raleigh, NC 27607  
 Tel. 919-854-0344 Fax. 919-854-0355  
 NC License No. F-0765

DOCUMENT NOT CONSIDERED  
 FINAL UNLESS ALL  
 SIGNATURES COMPLETED

DRAWN BY : A. Y. WU DATE : 10/22  
 CHECKED BY : B. H. BARNHILL DATE : 11/22  
 DESIGN ENGINEER OF RECORD : P.N.HOLDER DATE : 11/22