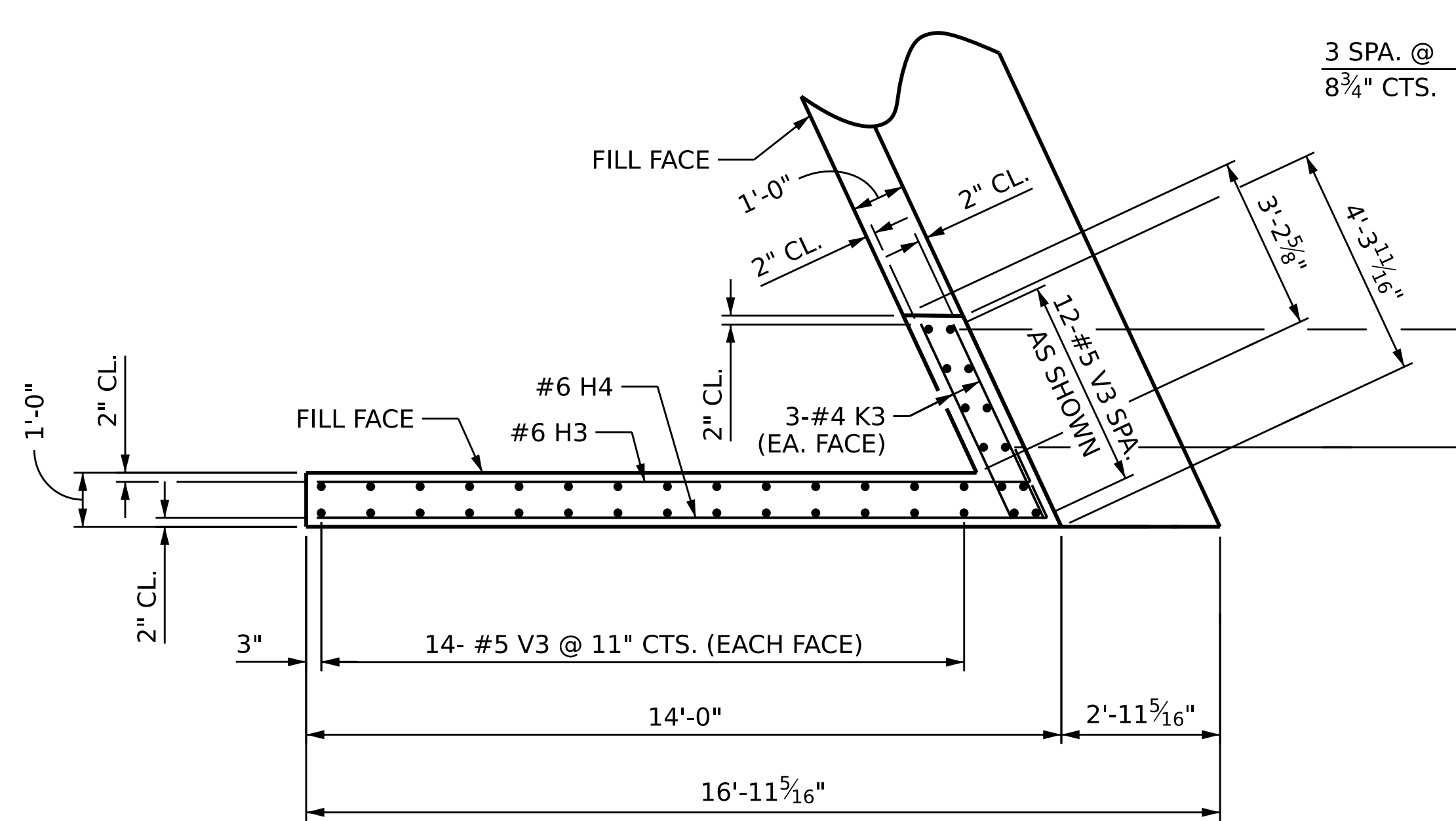
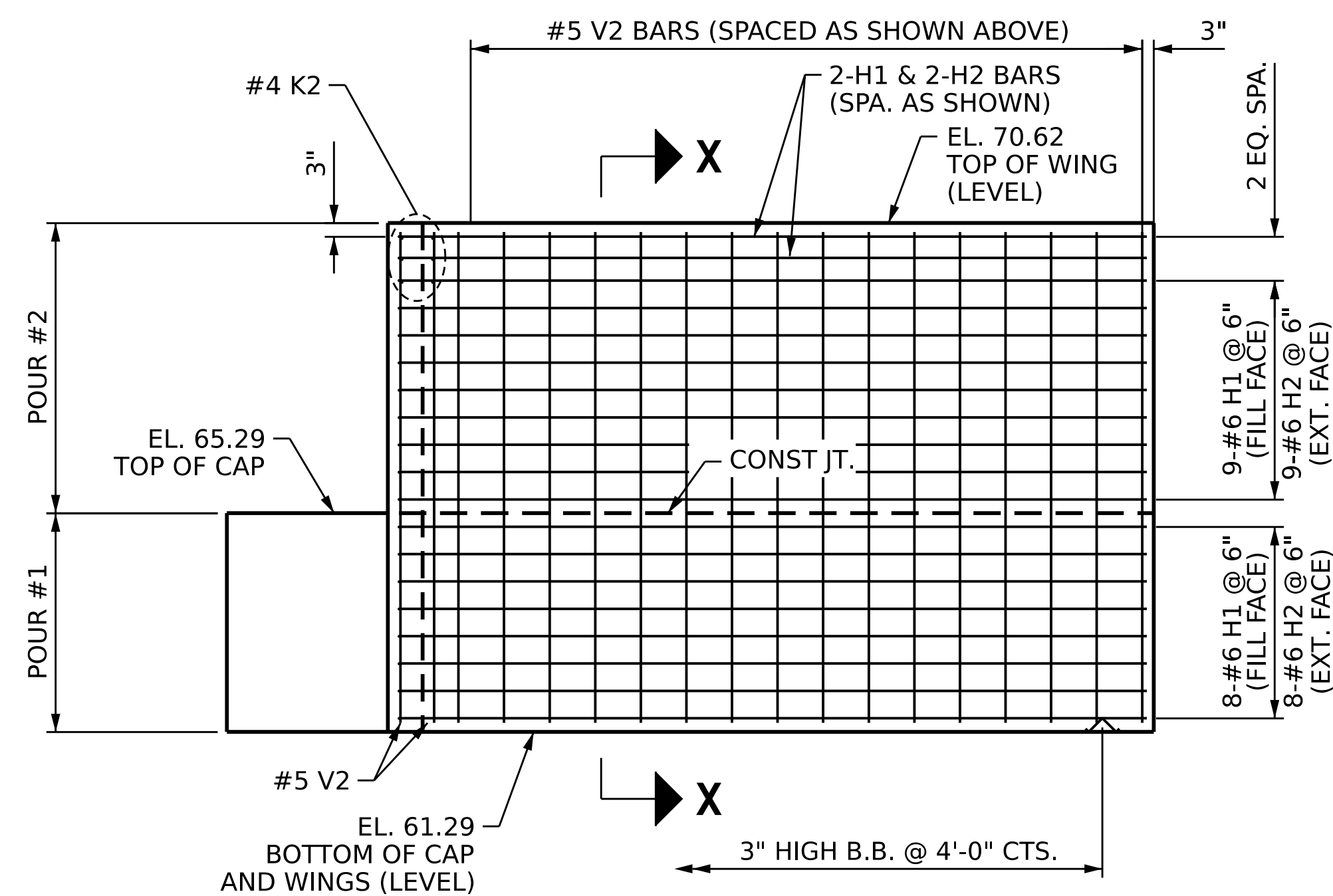


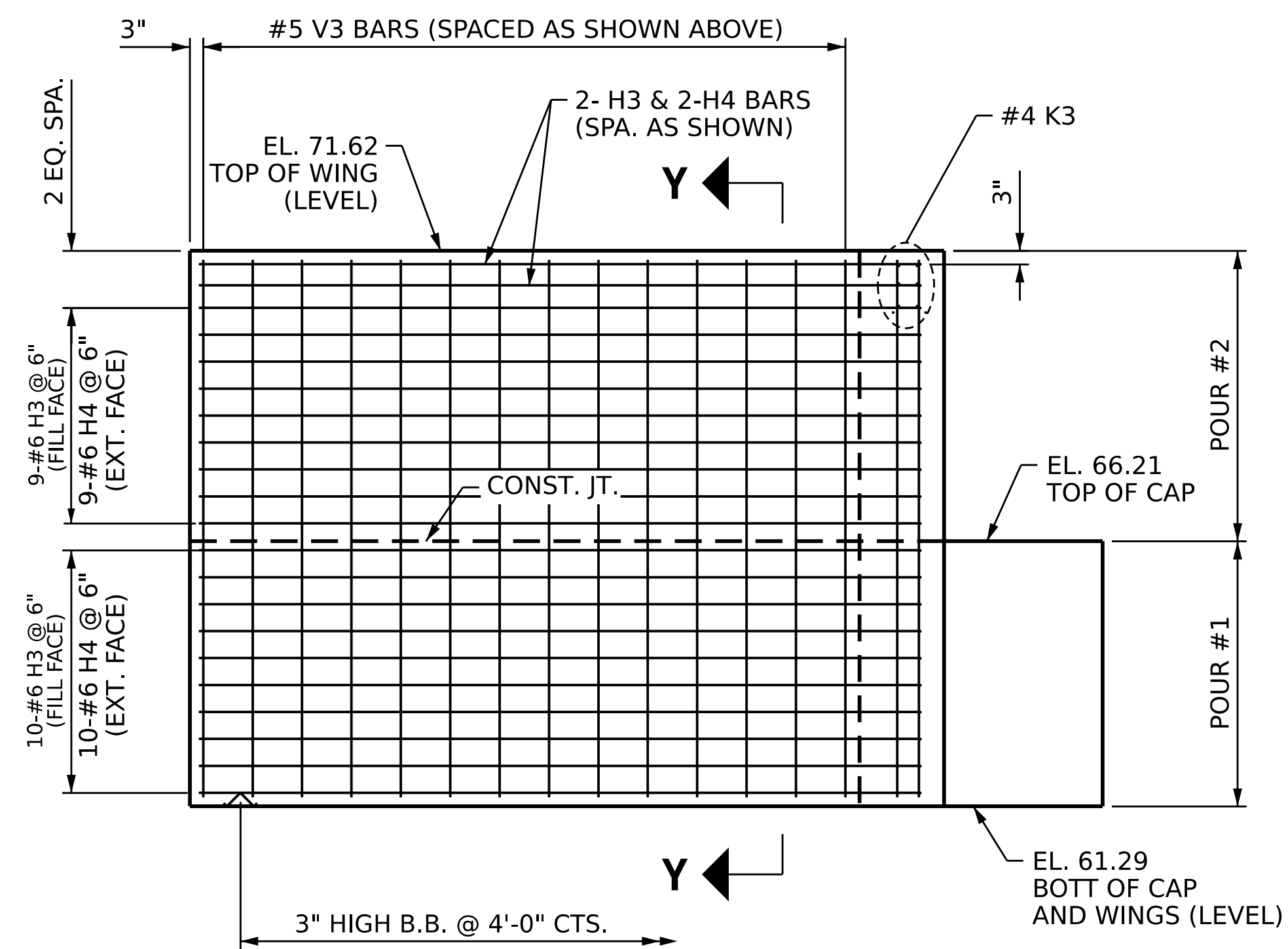
PLAN OF WING 1



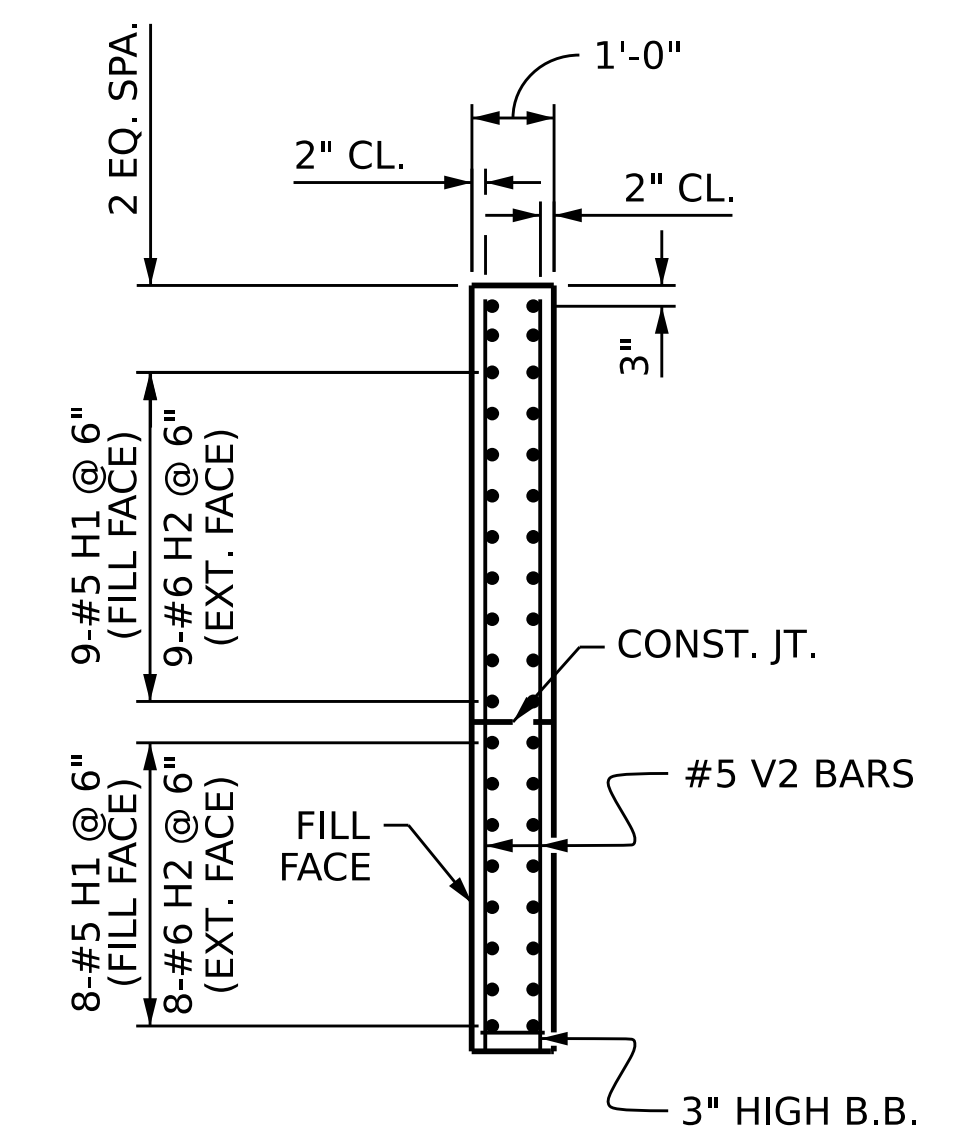
PLAN OF WING 2



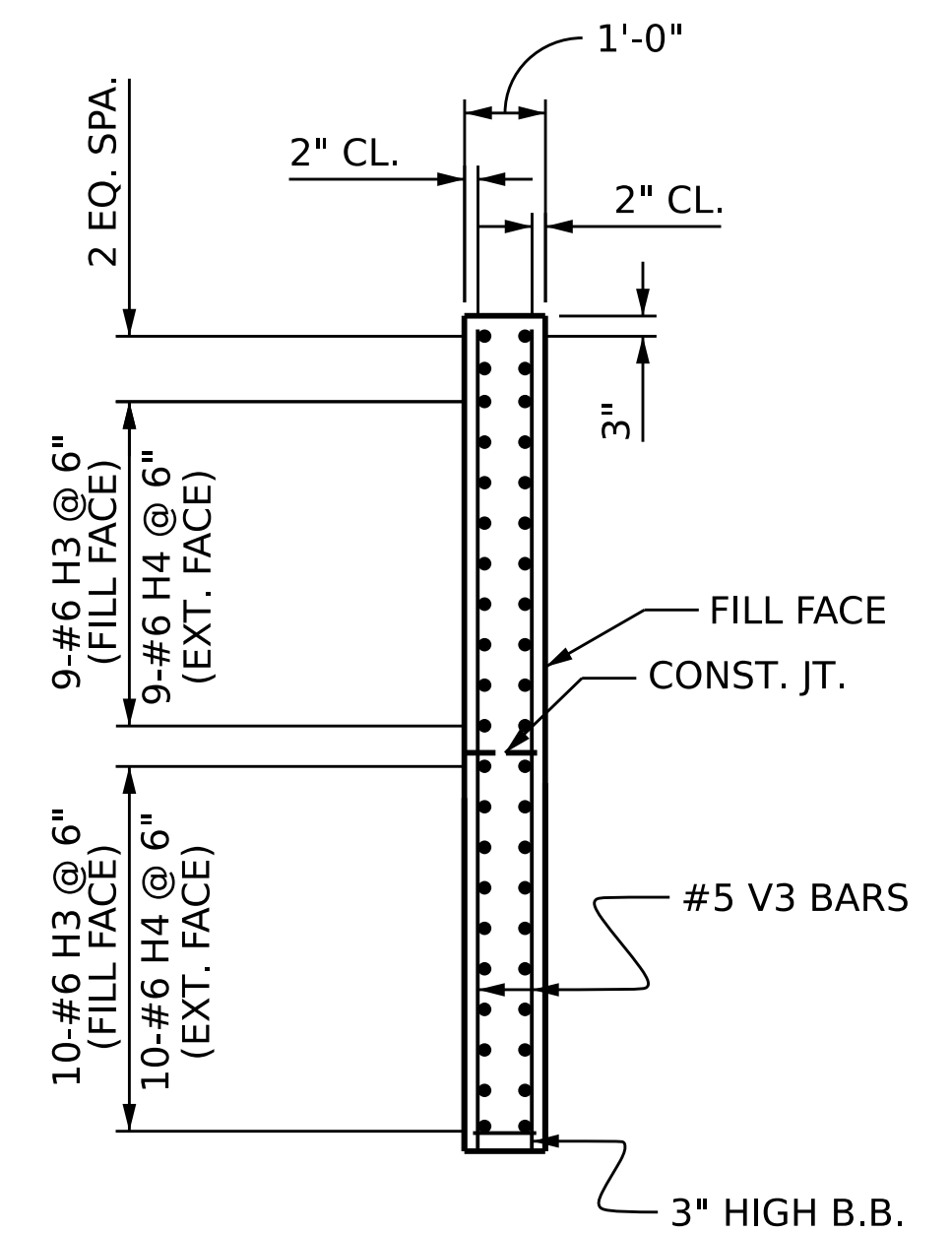
ELEVATION OF WING 1



ELEVATION OF WING 2



SECTION X-X



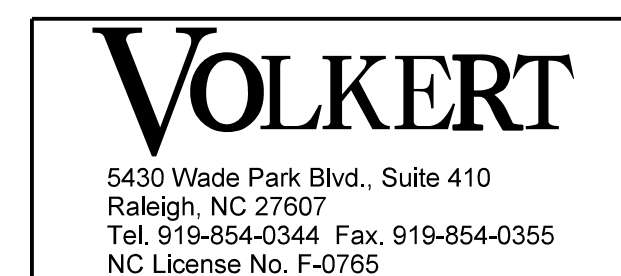
SECTION Y-Y

PROJECT NO. **BR-0073**
COLUMBUS COUNTY
 STATION: **18+24.50 -L-**

SHEET 2 OF 3

STATE OF NORTH CAROLINA
 DEPARTMENT OF TRANSPORTATION
 RALEIGH

SUBSTRUCTURE
END BENT 1



DOCUMENT NOT CONSIDERED
 FINAL UNLESS ALL
 SIGNATURES COMPLETED

REVISIONS						SHEET NO.
NO.	BY:	DATE:	NO.	BY:	DATE:	TOTAL SHEETS
1			3			26
2			4			38

DRAWN BY : **B. H. BARNHILL** DATE : **10/22**
 CHECKED BY : **D. GLADDEN** DATE : **11/22**
 DESIGN ENGINEER OF RECORD : **P. N. HOLDER** DATE : **11/22**