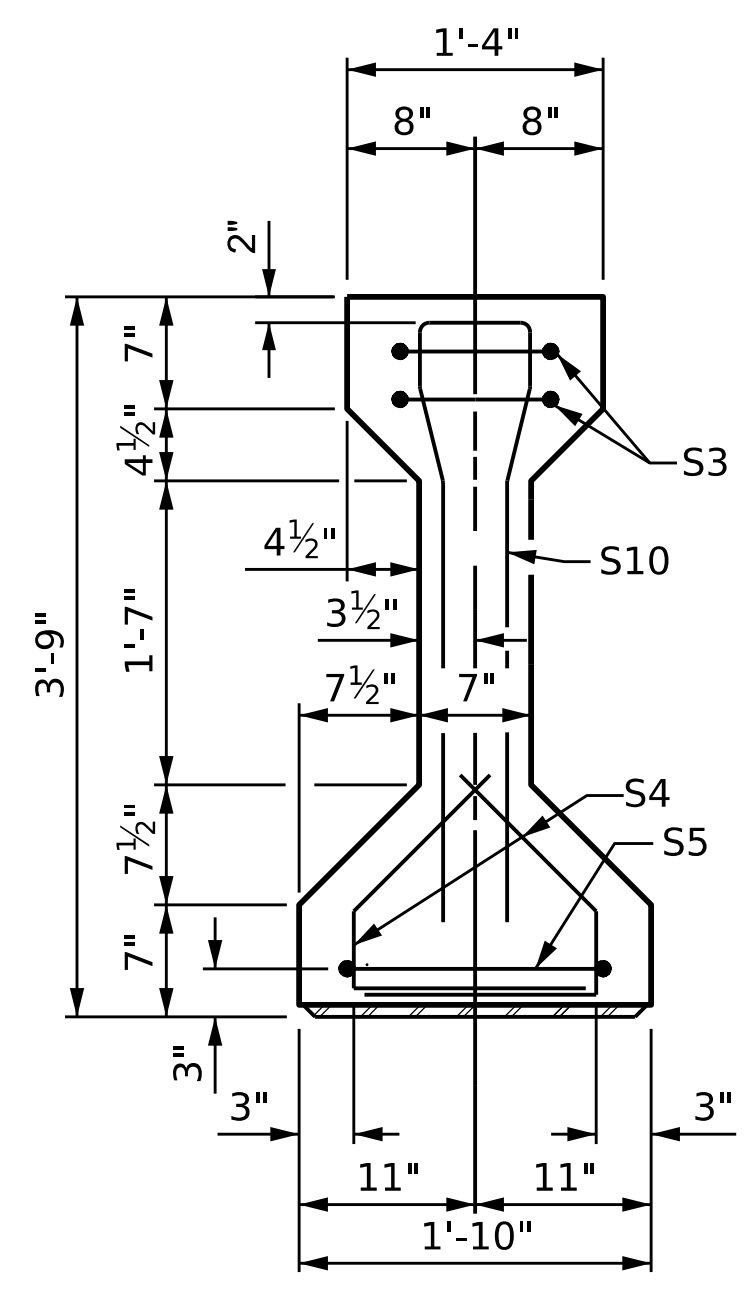


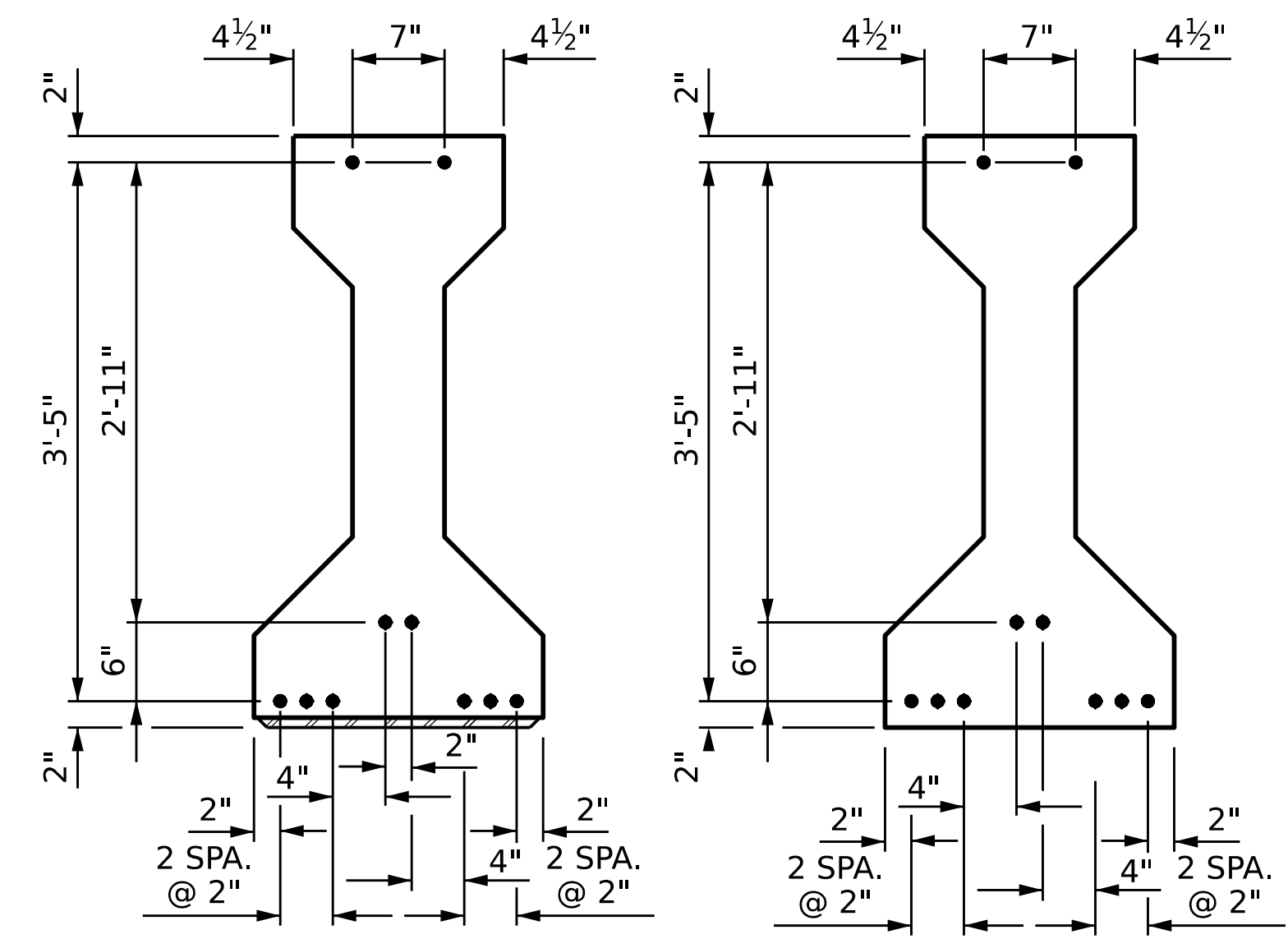
SECTION A-A



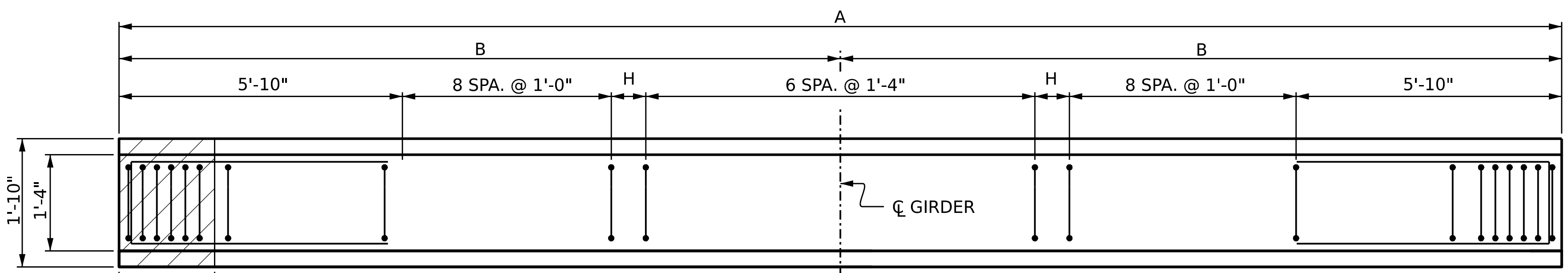
SECTION B-B

DEBONDING LEGEND

- FULLY BONDED STRANDS

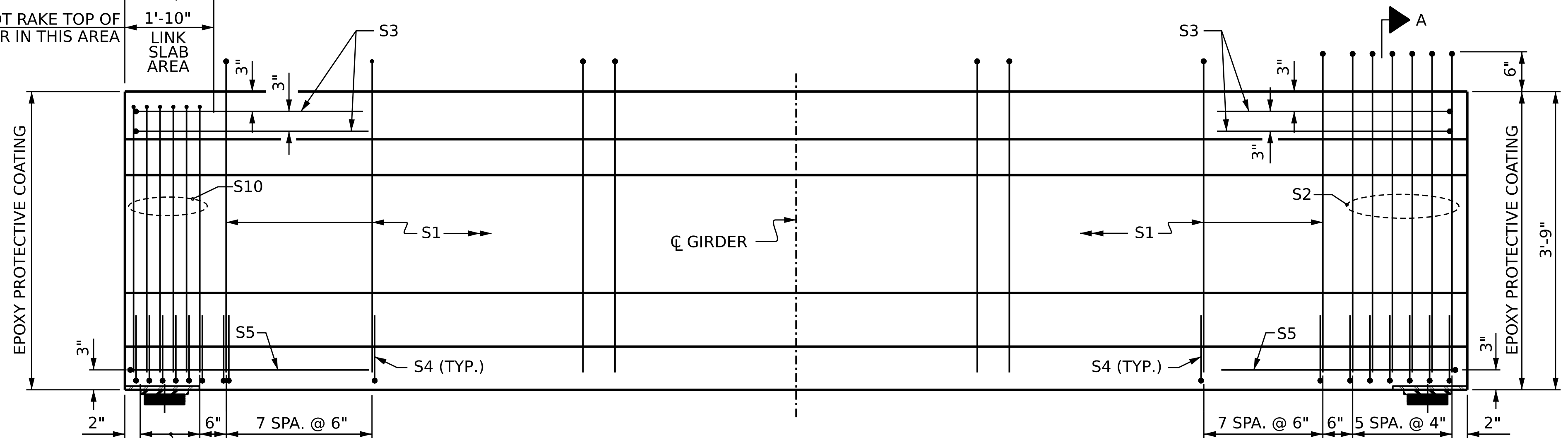


0.6" Ø LOW RELAXATION STRAND LAYOUT



PLAN OF GIRDER

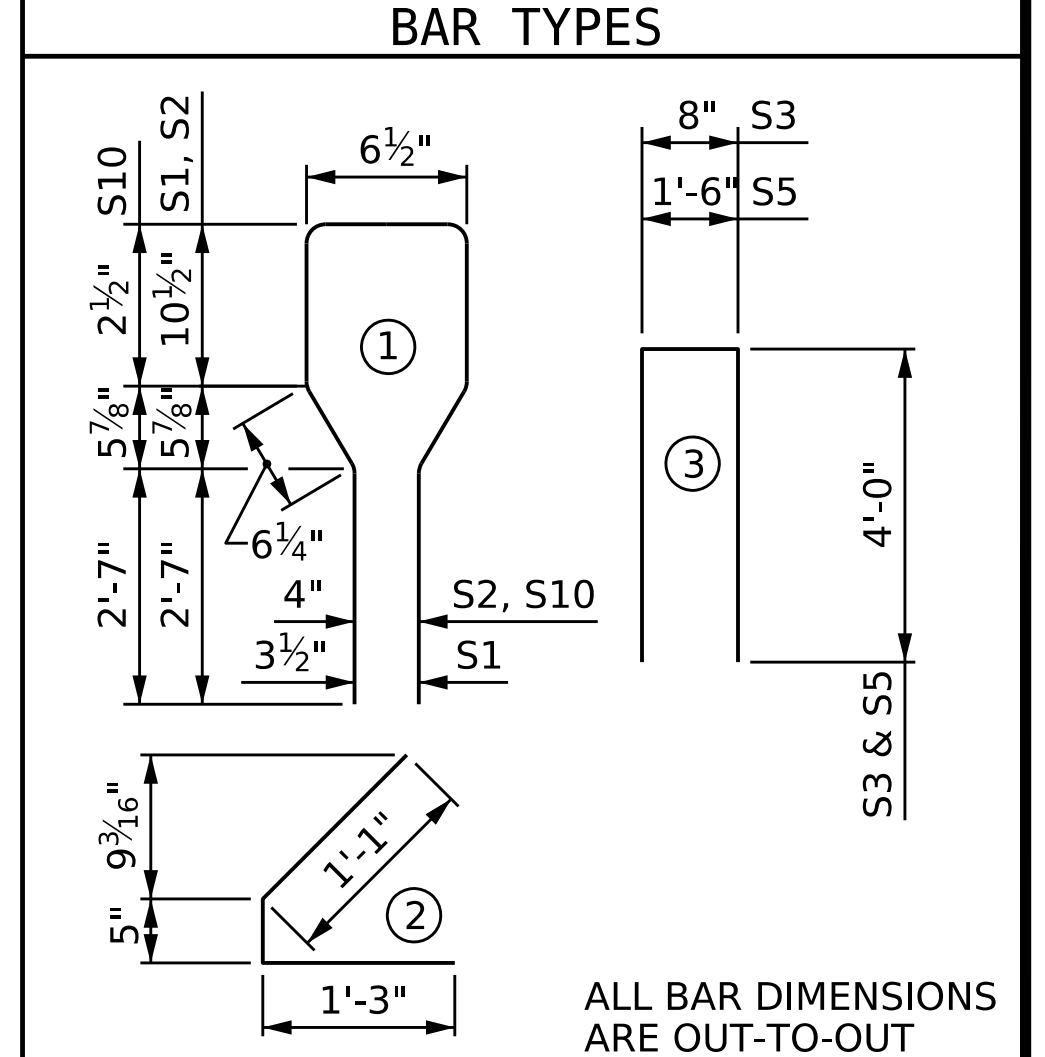
DO NOT RAKE TOP OF GIRDER IN THIS AREA



ELEVATION OF GIRDER

0.6" Ø L.R. GRADE 270 STRANDS		
AREA (SQ. INCHES)	ULTIMATE STRENGTH (LBS. PER STRAND)	APPLIED PRESTRESS (LBS. PER STRAND)
0.217	58,600	43,950

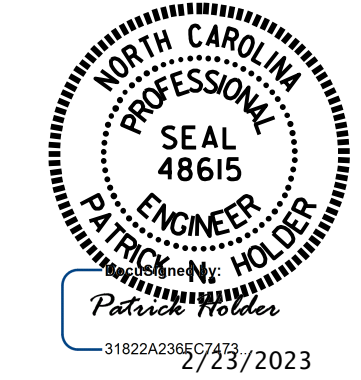
REINFORCING STEEL FOR ONE GIRDER					
BAR	NUMBER	SIZE	TYPE	LENGTH	WEIGHT
S1	39	#4	1	8'-6"	221
S2	6	#6	1	8'-6"	77
S3	4	#4	3	8'-8"	23
S4	56	#4	2	2'-9"	103
S5	2	#4	3	9'-6"	13
S10	6	#6	1	7'-2"	65



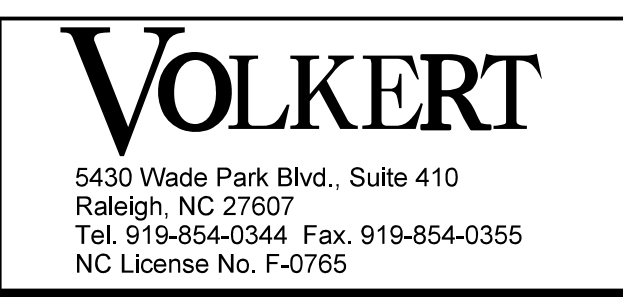
QUANTITIES FOR ONE GIRDER			
	REINFORCING STEEL	5000 PSI CONCRETE	0.6" Ø L.R. STRANDS
	LB.	C.Y.	No.
EXT. GIRDER	520	5.5	10
INT. GIRDER	520	5.5	10

GIRDERS REQUIRED			
GIRDER	A	B	H
C1	37'-11 1/4"	18'-11 5/8"	1'-1 5/8"
C2	37'-11 1/4"	18'-11 5/8"	1'-1 5/8"
C3	37'-11 1/8"	18'-11 1/16"	1'-1 5/8"
C4	37'-11"	18'-11 1/2"	1'-1 1/2"
C5	37'-10 7/8"	18'-11 1/16"	1'-1 1/16"

PROJECT NO. **BR-0073**
COLUMBUS COUNTY
 STATION: **18+24.50 -L-**
 SHEET 3 OF 3



STATE OF NORTH CAROLINA
 DEPARTMENT OF TRANSPORTATION
 RALEIGH
 STANDARD
**AASHTO TYPE III
 PRESTRESSED CONCRETE
 GIRDER - LINK SLAB**
 (SPAN C)



DOCUMENT NOT CONSIDERED FINAL UNLESS ALL SIGNATURES COMPLETED

REVISIONS				SHEET NO.
NO.	BY:	DATE:	NO.	S-16
1			3	TOTAL SHEETS 38
2			4	

ASSEMBLED BY : PNH	DATE : 10-22
CHECKED BY : SN	DATE : 10-22
DRAWN BY : BNB 09/21	
CHECKED BY : AAI 09/21	