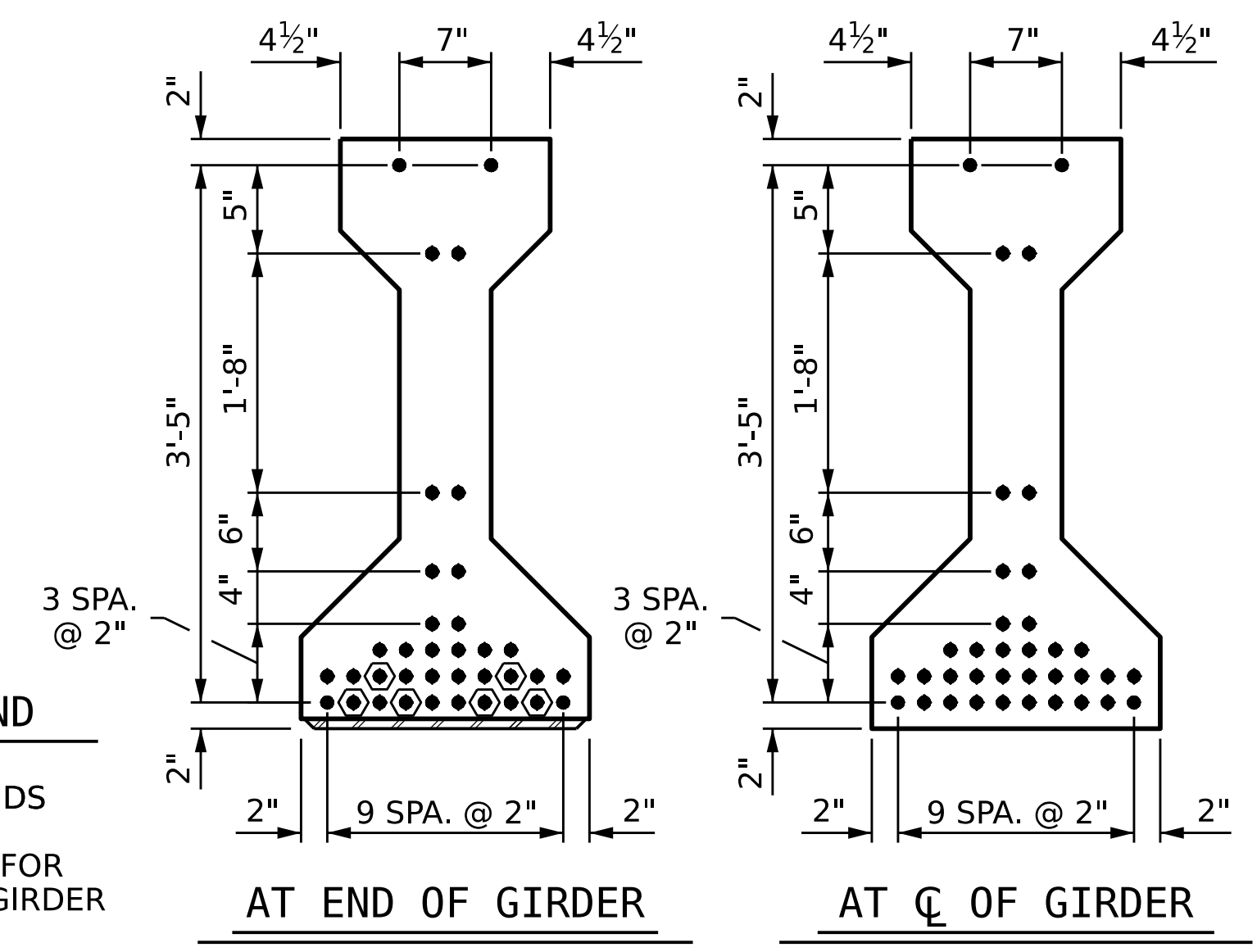


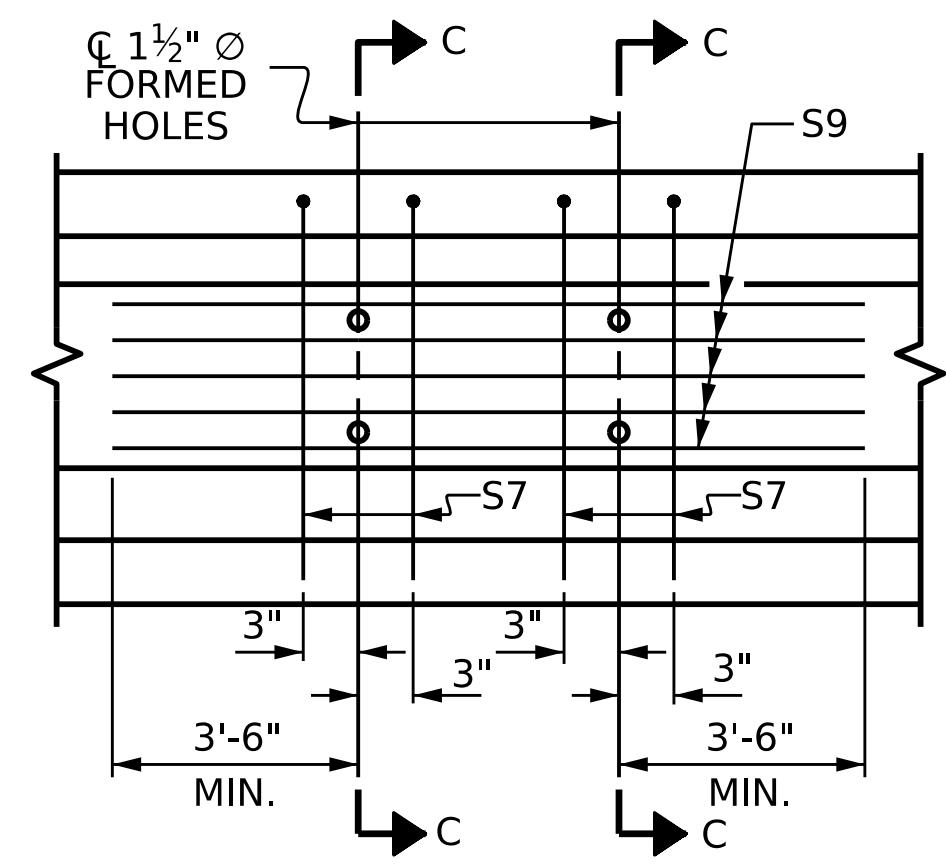
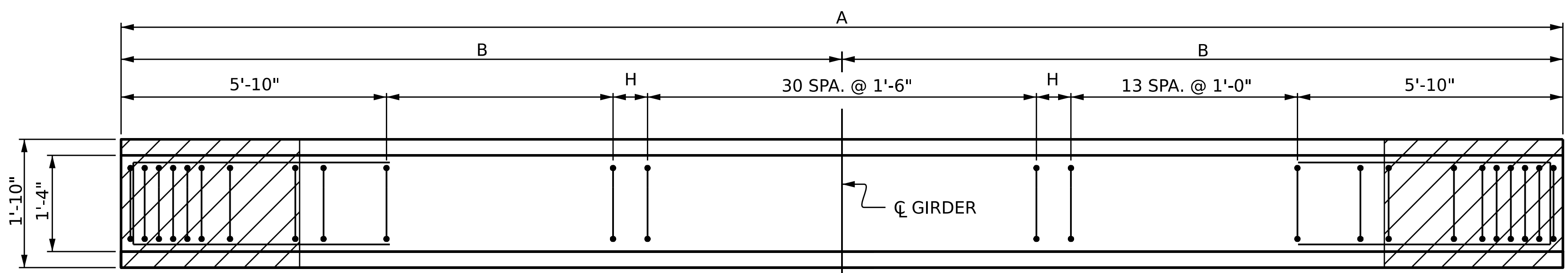
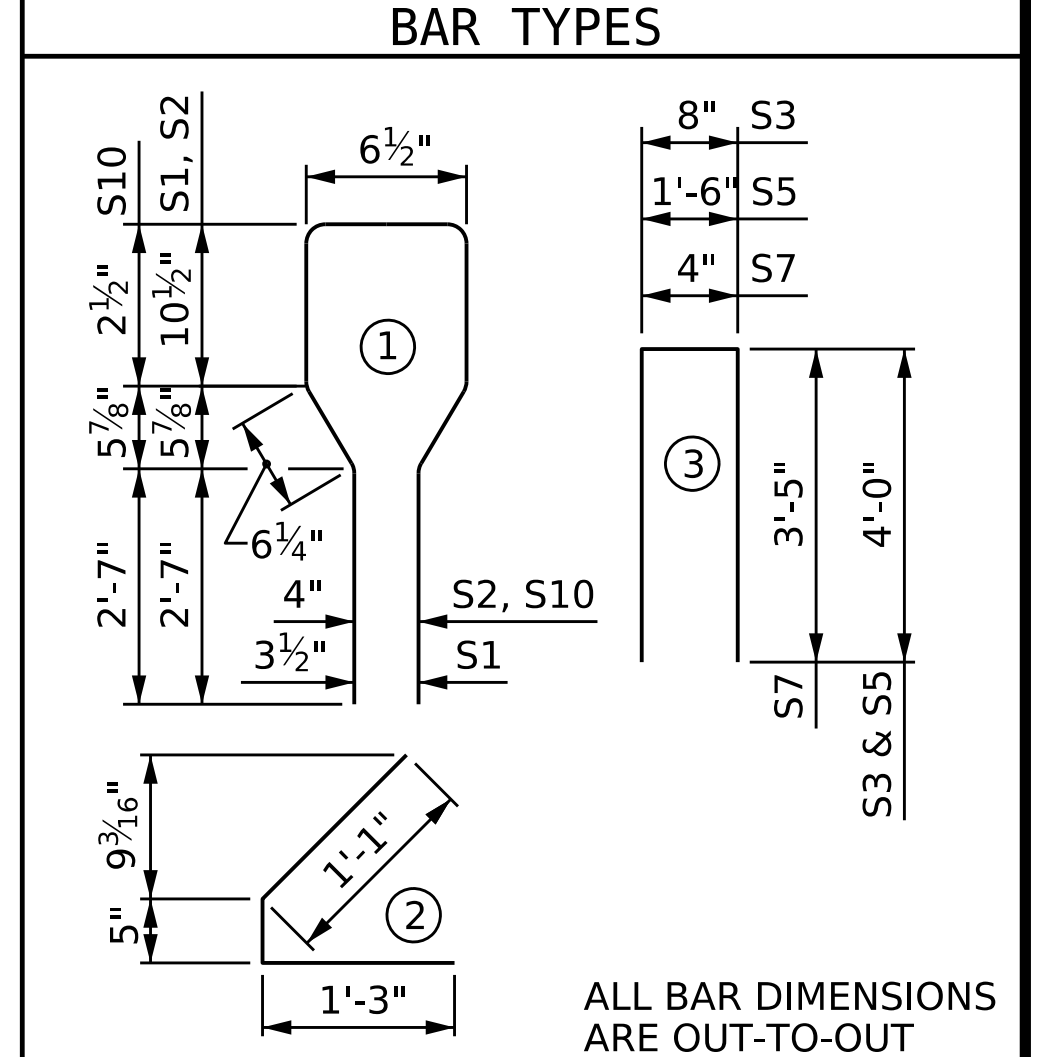
DEBONDING LEGEND

- FULLY BONDED STRANDS
- STRANDS DEBONDED FOR 12'-0" FROM END OF GIRDER



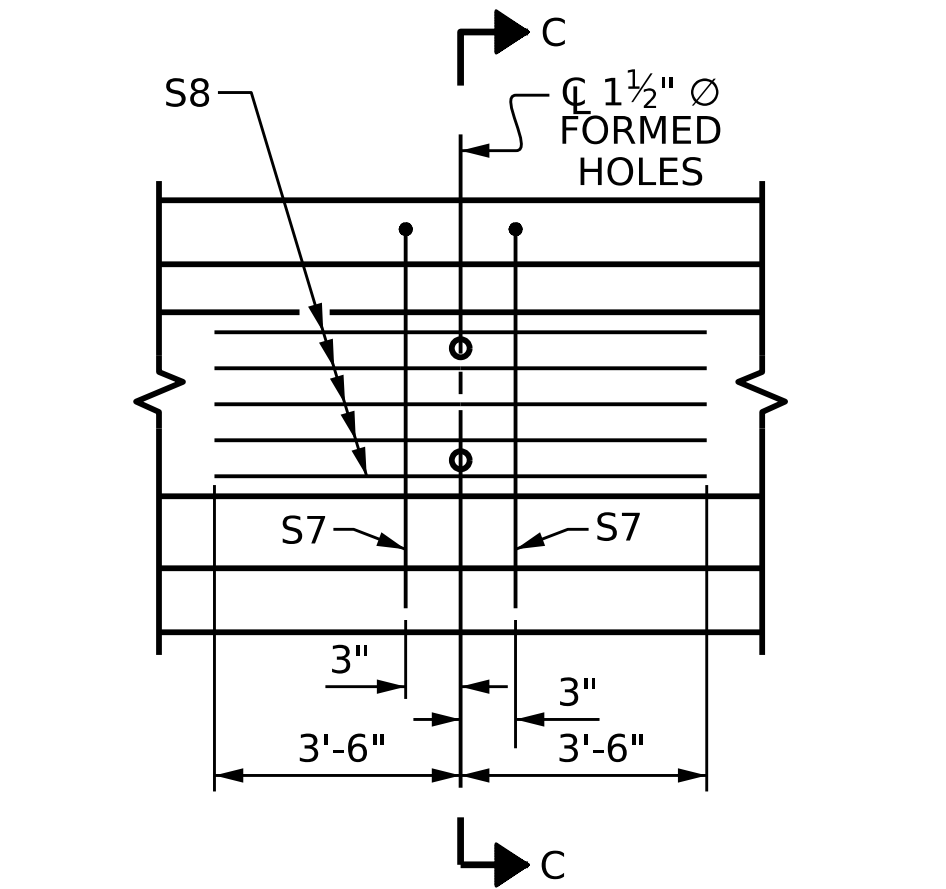
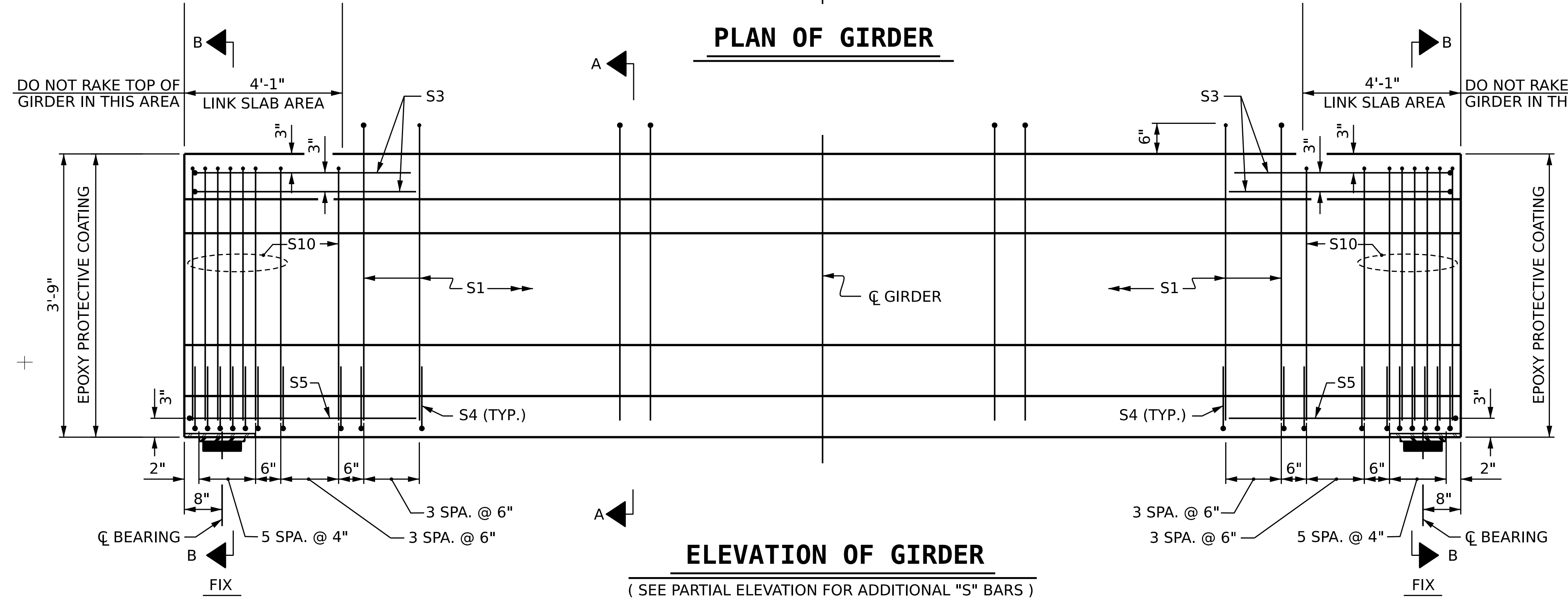
0.6" Ø L.R. GRADE 270 STRANDS		
AREA (SQ. INCHES)	ULTIMATE STRENGTH (LBS. PER STRAND)	APPLIED PRESTRESS (LBS. PER STRAND)
0.217	58,600	43,950

REINFORCING STEEL FOR ONE GIRDER					
BAR	NUMBER	SIZE	TYPE	LENGTH	WEIGHT
S1	65	#4	1	8'-6"	369
S3	4	#4	3	8'-8"	23
S4	56	#4	2	2'-9"	103
S5	2	#4	3	9'-6"	13
S7	2	#5	3	7'-2"	15
S7	4	#5	3	7'-2"	30
S8	5	#4	STR	7'-0"	23
S9	5	#4	STR	11'-1"	37
S10	20	#6	1	7'-2"	215



QUANTITIES FOR ONE GIRDER			
	REINFORCING STEEL	8500 PSI CONCRETE	0.6" Ø L.R. STRANDS
	LB.	C.Y.	No.
EXT. GIRDER	761	12.2	36
INT. GIRDER	790	12.2	36

GIRDERS REQUIRED			
GIRDER	A	B	H
B1	84'-8 1/8"	42'-4 1/16"	1'-0 1/16"
B2	84'-7 7/8"	42'-3 15/16"	11 15/16"
B3	84'-7 5/8"	42'-3 13/16"	11 13/16"
B4	84'-7 3/8"	42'-3 11/16"	11 11/16"
B5	84'-7"	42'-3 1/2"	11 1/2"



ASSEMBLED BY : PNH DATE : 10-22
 CHECKED BY : SN DATE : 10-22
 DRAWN BY : BNB 09/21
 CHECKED BY : AAI 09/21

VOLKERT
 5430 Wade Park Blvd., Suite 410
 Raleigh, NC 27607
 Tel. 919-854-0344 Fax. 919-854-0355
 NC License No. F-0765



DOCUMENT NOT CONSIDERED FINAL UNLESS ALL SIGNATURES COMPLETED

PROJECT NO. **BR-0073**
COLUMBUS COUNTY
 STATION: **18+24.50 -L-**
 SHEET 2 OF 3

STATE OF NORTH CAROLINA
 DEPARTMENT OF TRANSPORTATION
 RALEIGH
 STANDARD
AASHTO TYPE III PRESTRESSED CONCRETE GIRDER - LINK SLAB (SPAN B)

REVISIONS				SHEET NO.
NO.	BY:	DATE:	NO.	S-15
1			3	TOTAL SHEETS 38
2			4	