
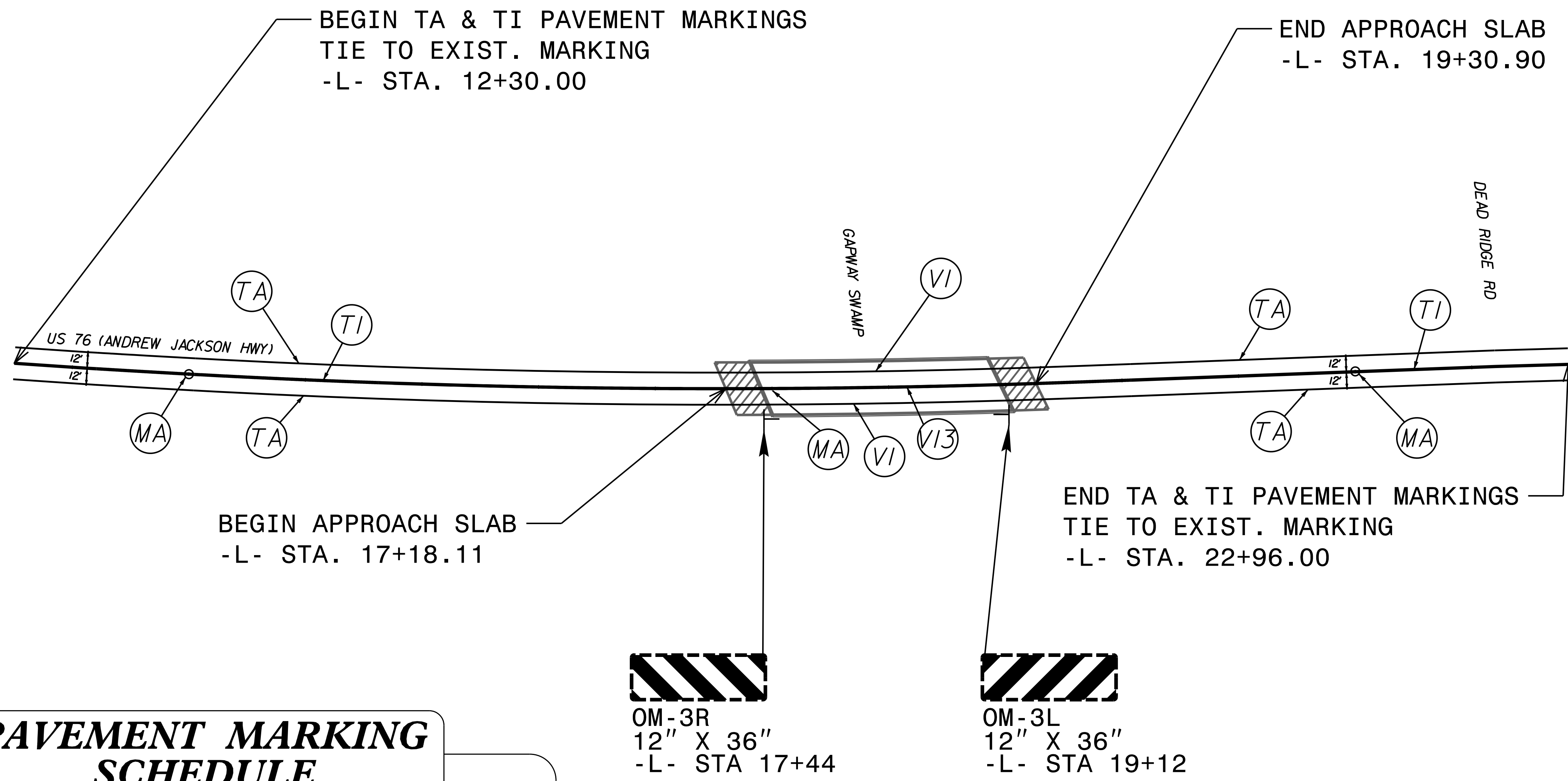
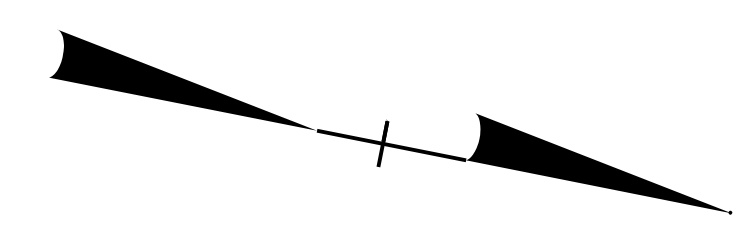


TIP NO. BR-0073	SHEET NO. PMP-02
APPROVED: _____	
DATE: 1/9/2023	
SEAL	
	



### PAVEMENT MARKING SCHEDULE

SYMBOL	DESCRIPTION
	THERMO (4", 90 MIL)
TA	WHITE EDGELINE
TI	YELLOW DOUBLE CENTER
	POLYUREA (4", 20 MIL)
V1	WHITE EDGELINE
V13	YELLOW DOUBLE CENTER
	PERMANENT RAISED PAVEMENT MARKER
MA	YELLOW & YELLOW

OM-3R  
12" X 36"  
-L- STA 17+44

OM-3L  
12" X 36"  
-L- STA 19+12

DISPOSAL OF EXISTING SIGN SYSTEMS

**VOLKERT**  
 5430 Wade Park Blvd., Suite 410  
 Raleigh, NC 27606  
 Tel. 919-854-0344 Fax: 919-854-0355  
 NC License No. F-0765

**FINAL PAVEMENT SCHEDULE & DETAIL**