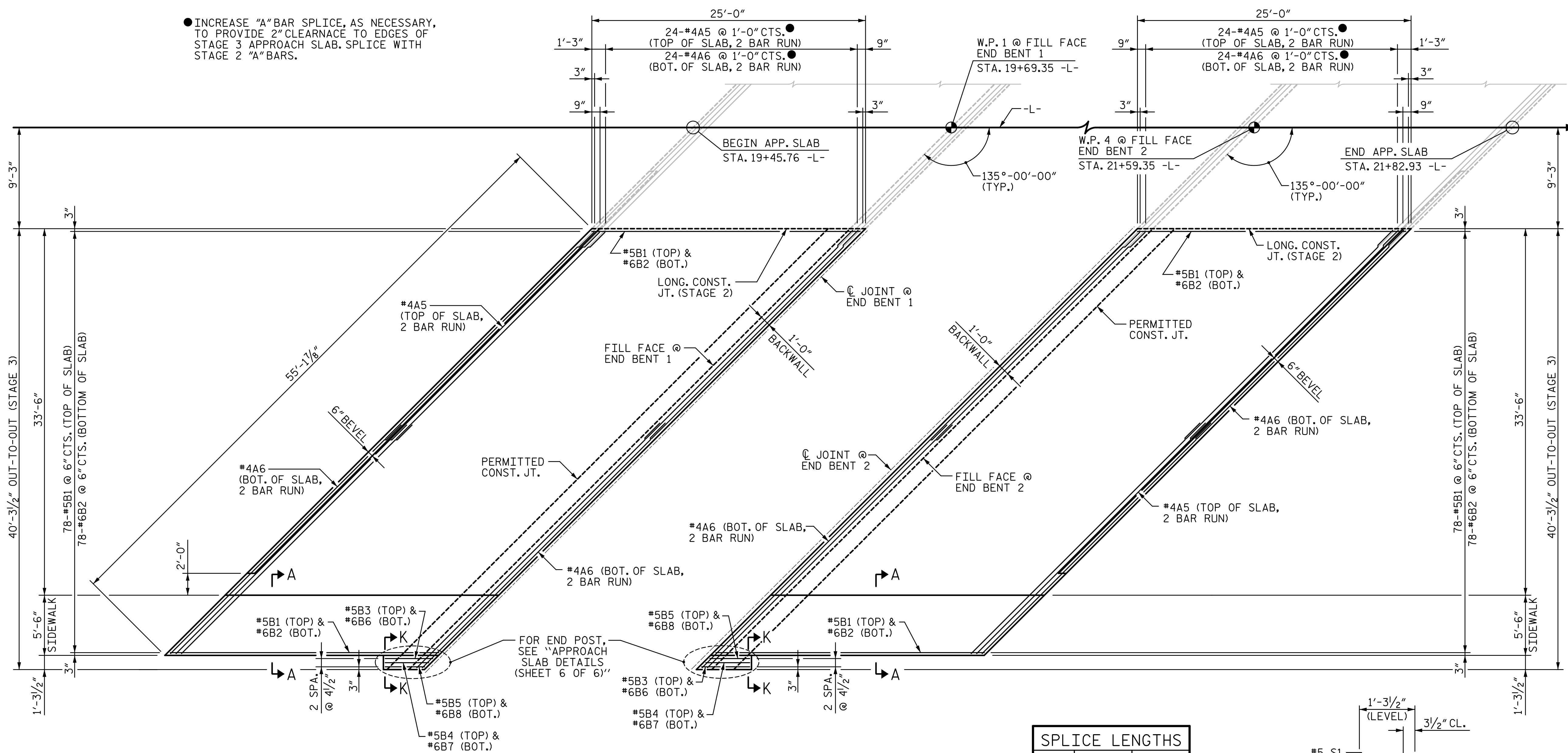


● INCREASE "A" BAR SPLICE, AS NECESSARY, TO PROVIDE 2" CLEARANCE TO EDGES OF STAGE 3 APPROACH SLAB. SPLICE WITH STAGE 2 "A" BARS.

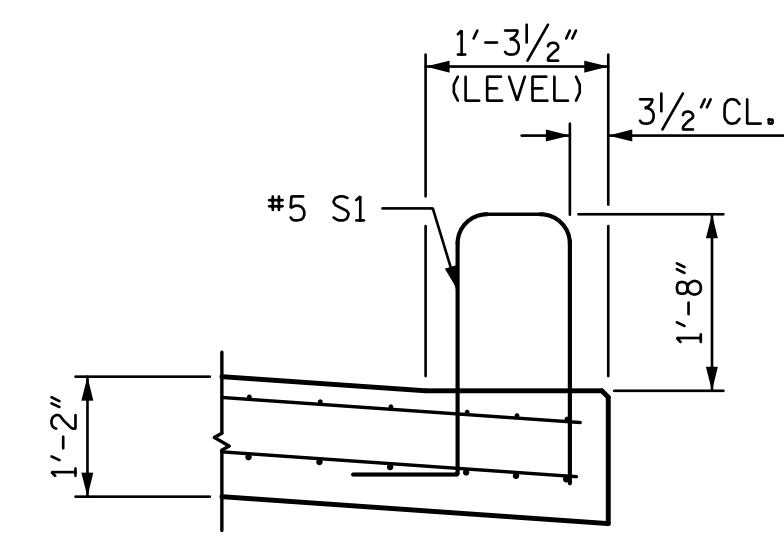


PLAN @ END BENT 1

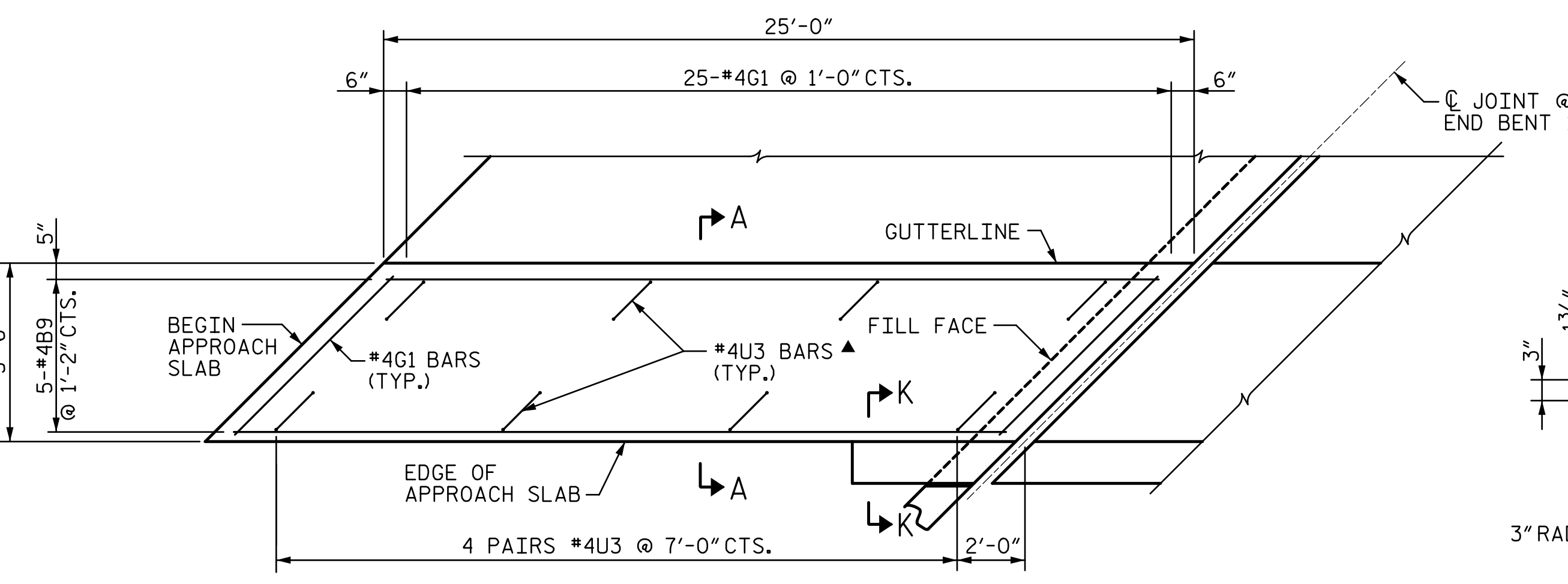
PLAN @ END BENT 2

DIMENSIONS SHOWN ARE TYPICAL FOR BOTH APPROACH SLABS.

SPLICE LENGTHS		
BAR SIZE	EPOXY COATED	UNCOATED
#4	1'-11"	1'-7"
#5	2'-5"	2'-0"
#6	3'-7"	2'-5"

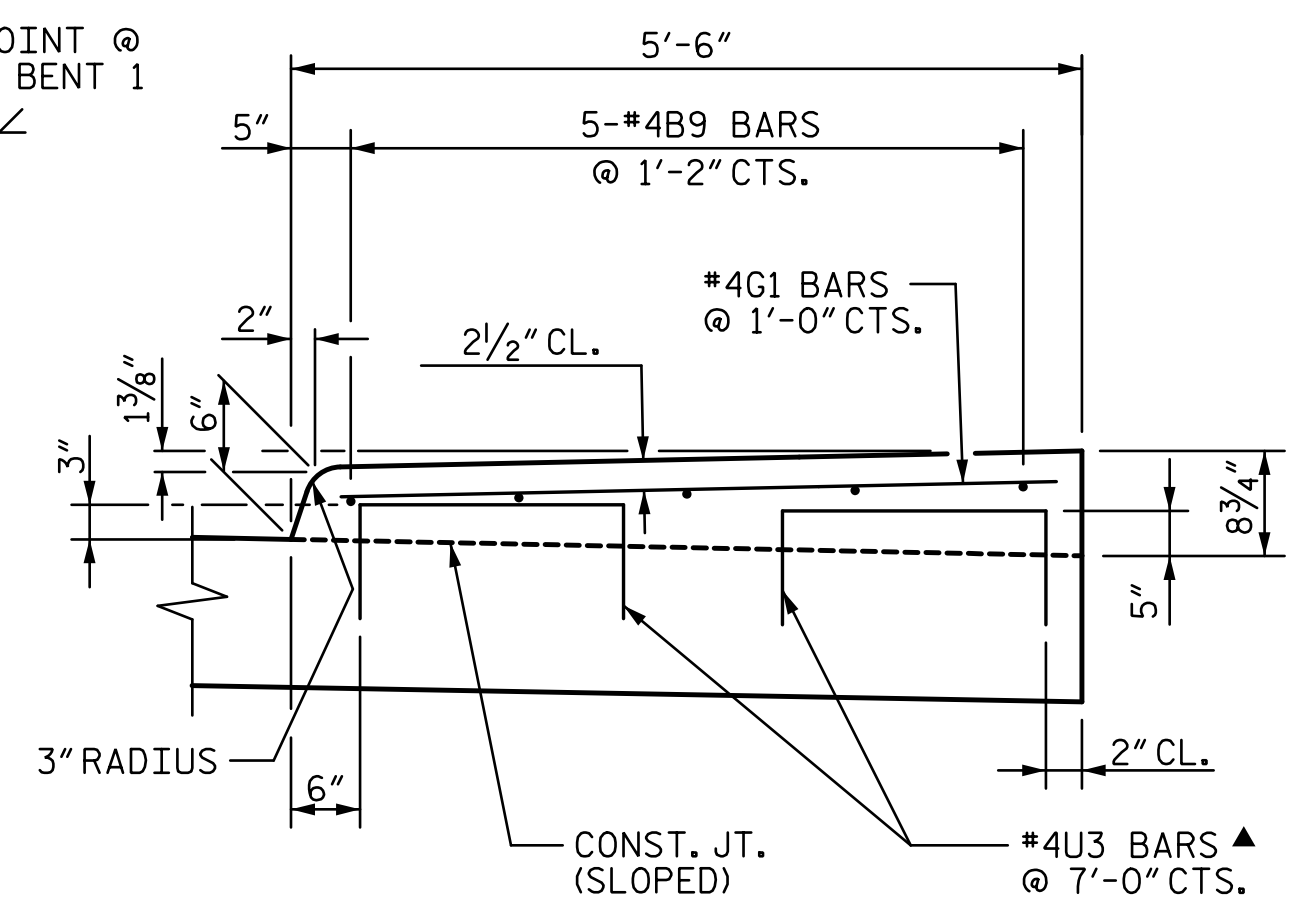


SECTION K-K



PLAN OF SIDEWALK - STAGE 3

(SIDEWALK AT END BENT 1 SHOWN, SIDEWALK AT END BENT 2 SIMILAR.)



SECTION A-A

BILL OF MATERIAL

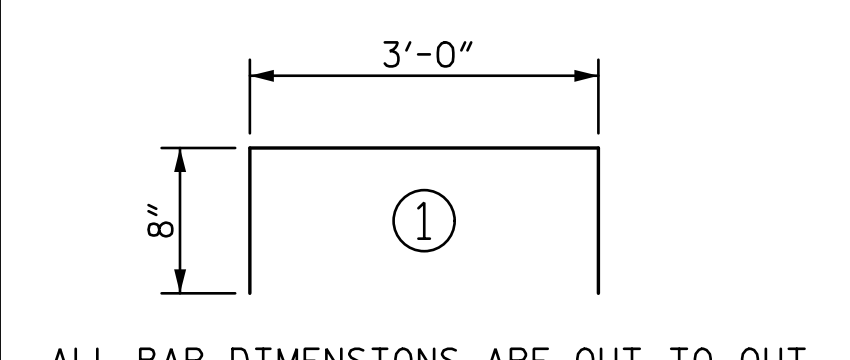
FOR ONE APPROACH SLAB STAGE 3 (2 REQ'D.)

BAR	NO.	SIZE	TYPE	LENGTH	WEIGHT
*A5	50	#4	STR	29'-2"	974
A6	52	#4	STR	29'-0"	1,007
*B1	78	#5	STR	23'-9"	1,932
B2	78	#6	STR	24'-6"	2,870
*B3	1	#5	STR	4'-4"	5
*B4	1	#5	STR	3'-11"	4
*B5	1	#5	STR	3'-7"	4
B6	1	#6	STR	4'-4"	7
B7	1	#6	STR	3'-11"	6
B8	1	#6	STR	3'-7"	5
*B9	5	#4	STR	24'-6"	82
*G1	25	#4	STR	6'-11"	116
*U3	8	#4	1	4'-4"	23

REINFORCING STEEL ** LBS. 3,895
 *EPOXY COATED REINFORCING STEEL ** LBS. 3,140

CLASS AA CONCRETE (APPROACH SLAB) ** C. Y. 42.6
 CLASS AA CONCRETE (SIDEWALK) ** C. Y. 3.1

BAR TYPE



ALL BAR DIMENSIONS ARE OUT TO OUT
 ** QUANTITIES FOR CONCRETE END POST NOT INCLUDED.

NOTES:

GROOVED CONTRACTION JOINTS, 1/2" IN DEPTH, SHALL BE TOOLED IN ALL EXPOSED FACES OF THE SIDEWALK IN ACCORDANCE WITH ARTICLE 825-10(B) OF THE STANDARD SPECIFICATIONS. THE CONTRACTION JOINT SHALL BE LOCATED AT A SPACING OF 8'-0" TO 10'-0" BETWEEN EXPANSION JOINTS. NO CONTRACTION JOINTS WILL BE REQUIRED FOR SEGMENTS LESS THAN 10'-0" IN LENGTH.

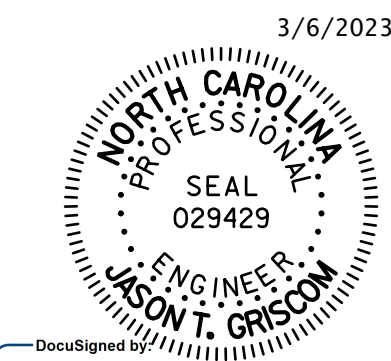
FOR NOTES AND SECTION THROUGH APPROACH SLAB, SEE "APPROACH SLAB DETAILS (SHEET 5 OF 6)".

PROJECT NO. B-5808
 CABARRUS COUNTY
 STATION: 20+64.00 -L-

SHEET 3 OF 6

STATE OF NORTH CAROLINA
 DEPARTMENT OF TRANSPORTATION
 RALEIGH

APPROACH SLAB STAGE 3



STV ENGINEERS, INC.
 900 West Trade St., Suite 715
 Charlotte, NC 28202
 NC License Number F-0991

DOCUMENT NOT CONSIDERED FINAL UNLESS ALL SIGNATURES COMPLETED

REVISIONS				SHEET NO.	
NO.	BY:	DATE:	NO.	BY:	DATE:
1			3		
2			4		

TOTAL SHEETS 65

R:\Structures\04_Station\05 RFC Bridge Plans\40123_B5808_SMU_AS3_062_120057.dgn 3/16/2023 10:42:27 AM HensleyS

ASSEMBLED BY: SGH DATE: 11-22
 CHECKED BY: MLO DATE: 11-22
 DESIGN ENGINEER OF RECORD: J. GRISCOM DATE: 3-23

▲ #4U3 BARS MAY BE PUSHED INTO GREEN CONCRETE AFTER APPROACH SLAB HAS BEEN SCREEDED OFF.