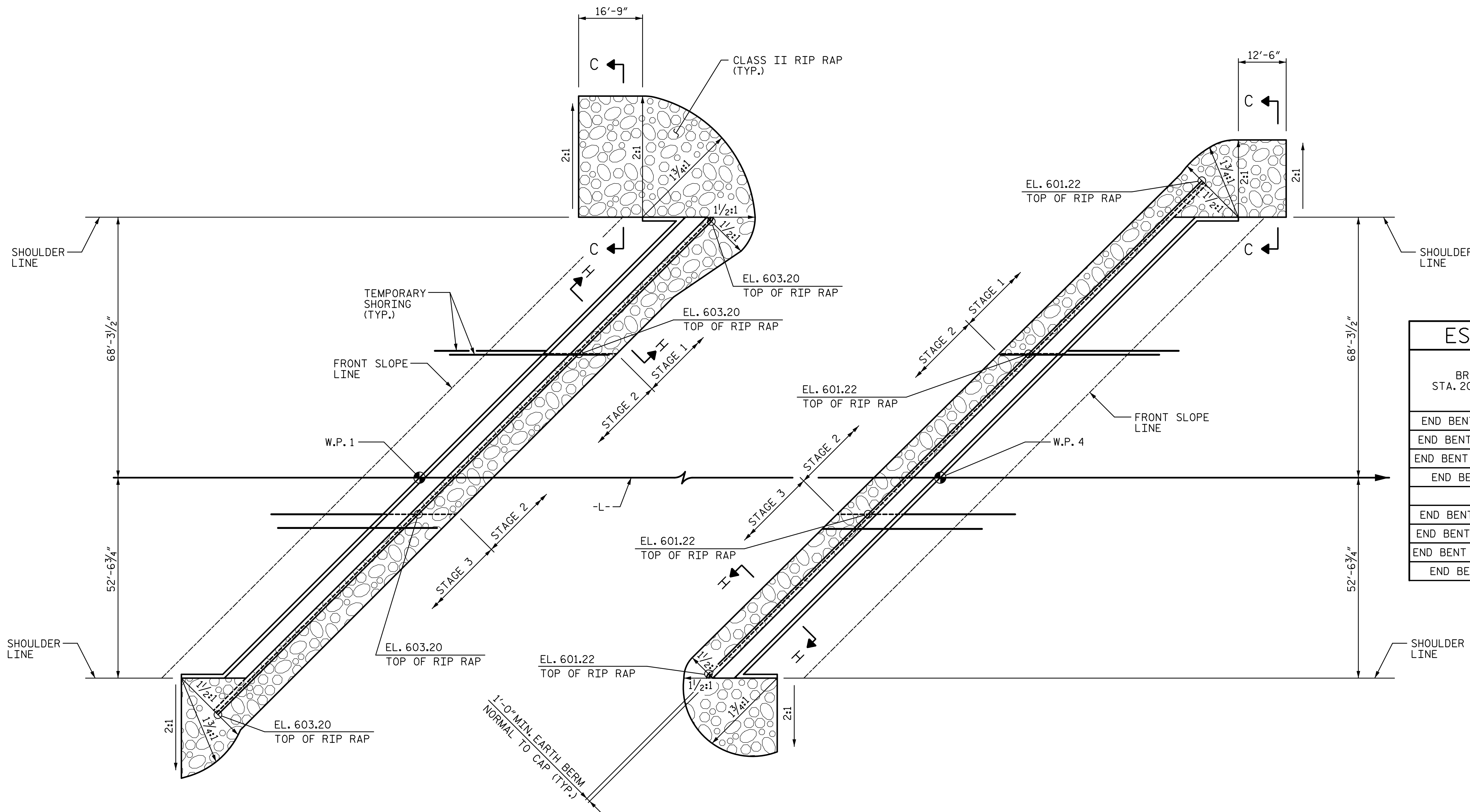


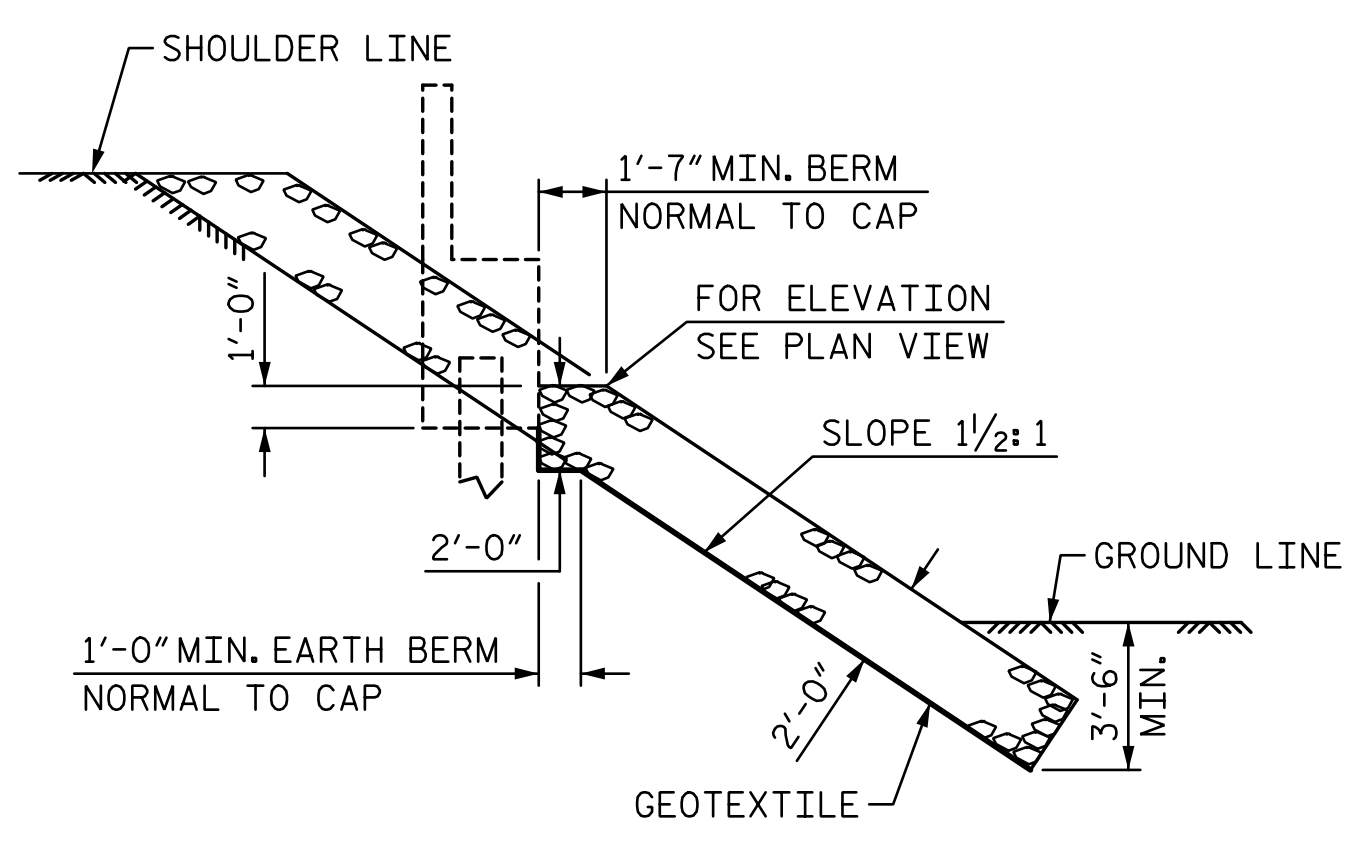
R:\Structures\04_Justation\05 RFC Bridge Plans\401.IT_B5808_SML_RR_059_120057.dgn
3/6/2023 10:02:38 AM HensleSC



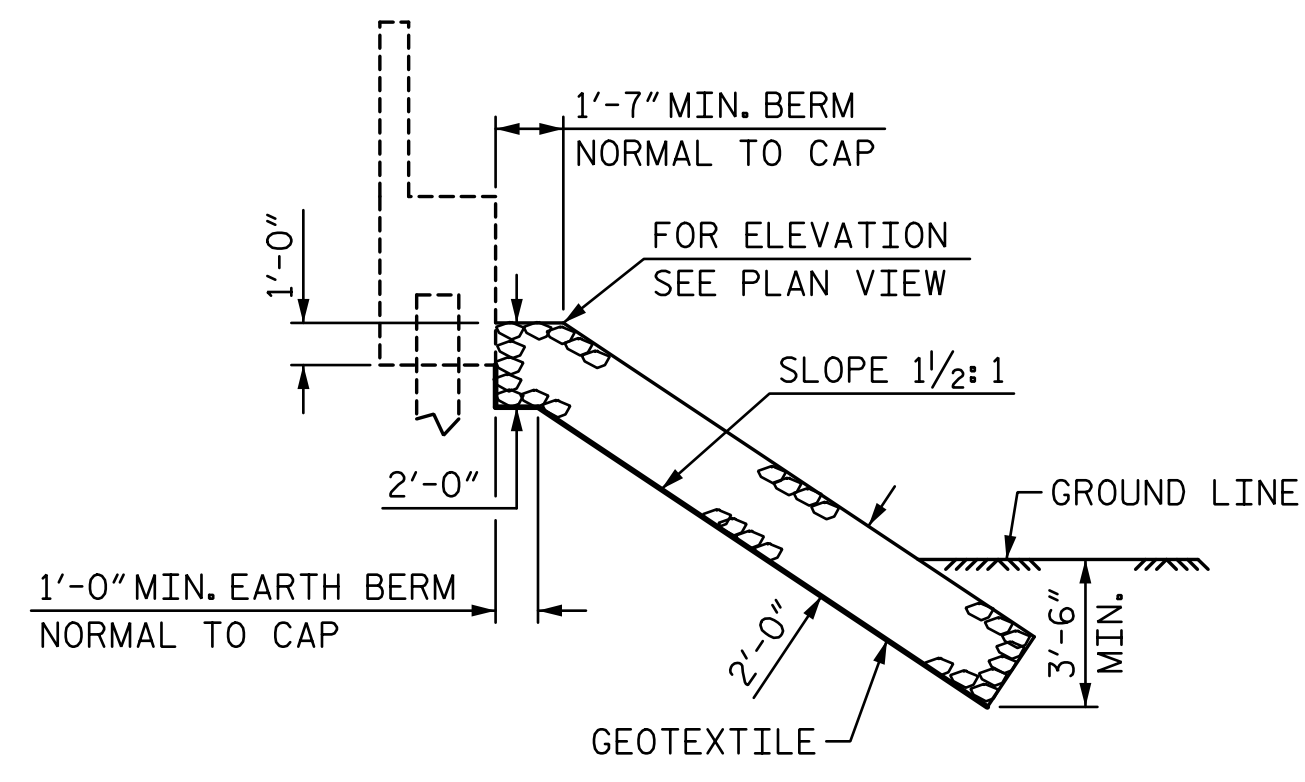
ESTIMATED QUANTITIES		
BRIDGE @ STA. 20+64.00 -L-	RIP RAP CLASS II (2'-0" THICK)	GEOTEXTILE FOR DRAINAGE
	TONS	SQUARE YARDS
END BENT 1 (STAGE I)	200	225
END BENT 1 (STAGE II)	65	75
END BENT 1 (STAGE III)	130	145
END BENT 1 TOTAL	395	445
END BENT 2 (STAGE I)	120	130
END BENT 2 (STAGE II)	45	50
END BENT 2 (STAGE III)	105	120
END BENT 2 TOTAL	270	300

PLAN - END BENT 1

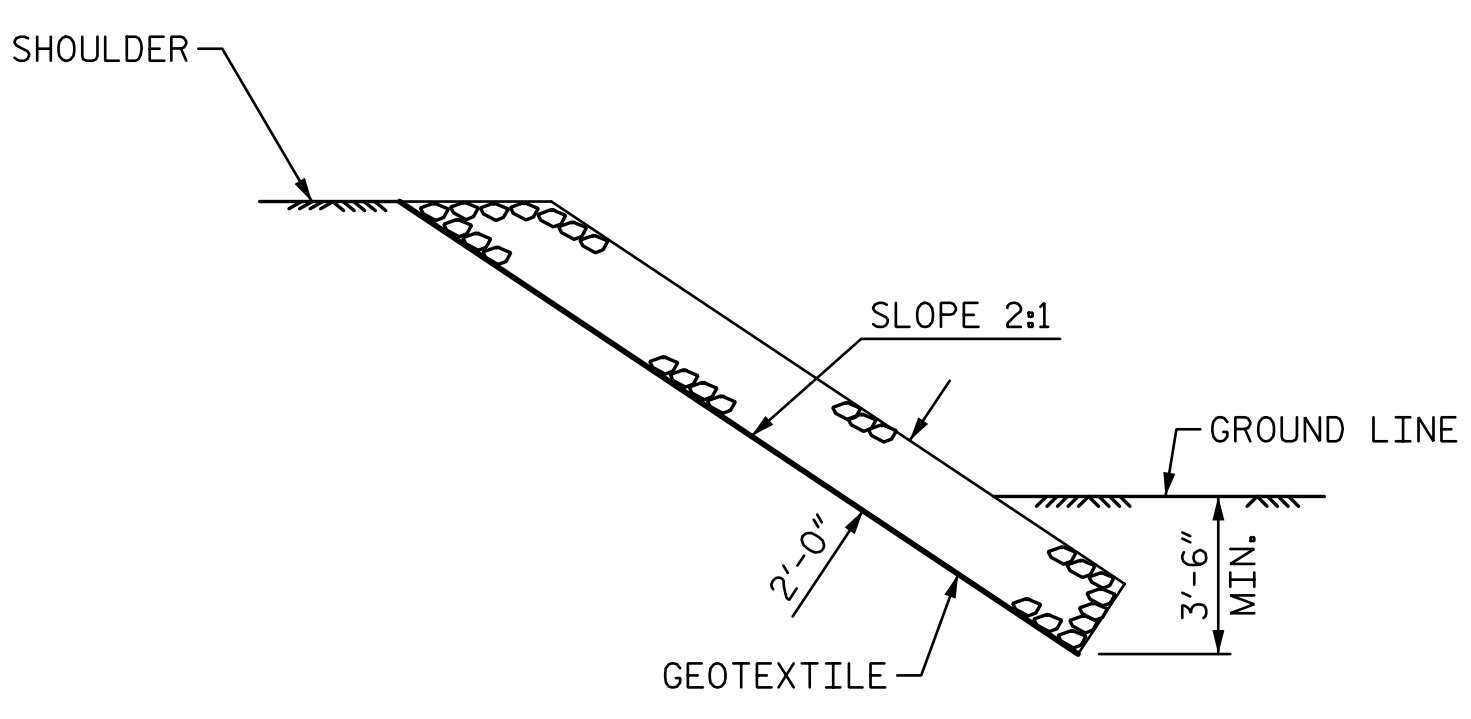
PLAN - END BENT 2



SECTION H-H



SECTION C-C
BERM RIP RAPPED

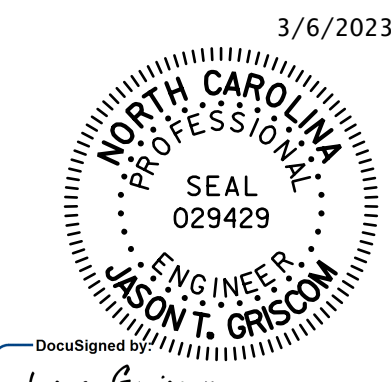


SECTION C-C

PROJECT NO. B-5808
CABARRUS COUNTY
 STATION: 20+64.00 -L-

STATE OF NORTH CAROLINA
 DEPARTMENT OF TRANSPORTATION
 RALEIGH

RIP RAP DETAILS



STV ENGINEERS, INC.
 900 West Trade St., Suite 715
 Charlotte, NC 28202
 NC License Number F-0991

DOCUMENT NOT CONSIDERED
 FINAL UNLESS ALL
 SIGNATURES COMPLETED

ASSEMBLED BY : SGH DATE : 5-22
 CHECKED BY : MLO DATE : 10-22
 DESIGN ENGINEER OF RECORD : J. GRISCOM DATE : 3-23

REVISIONS					SHEET NO.
NO.	BY:	DATE:	NO.	BY:	DATE:
1			3		
2			4		

TOTAL SHEETS: 65