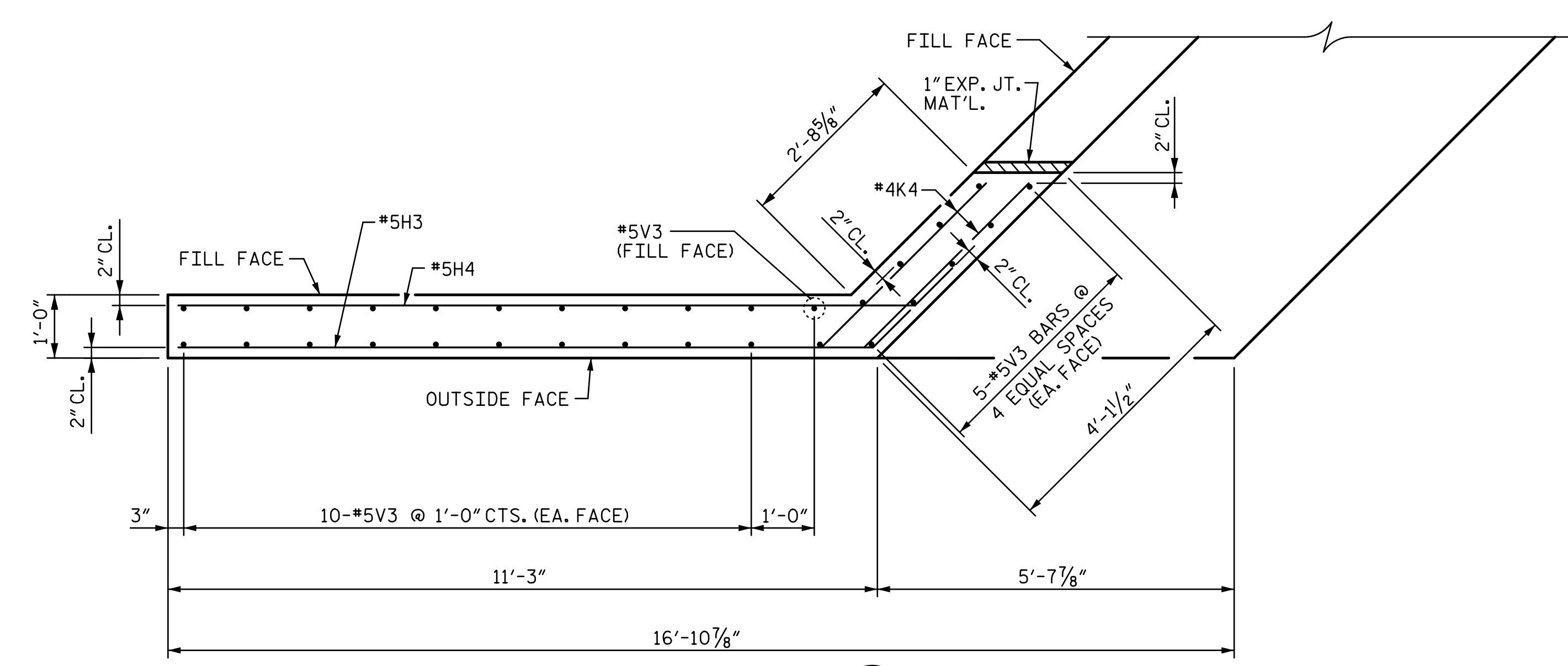
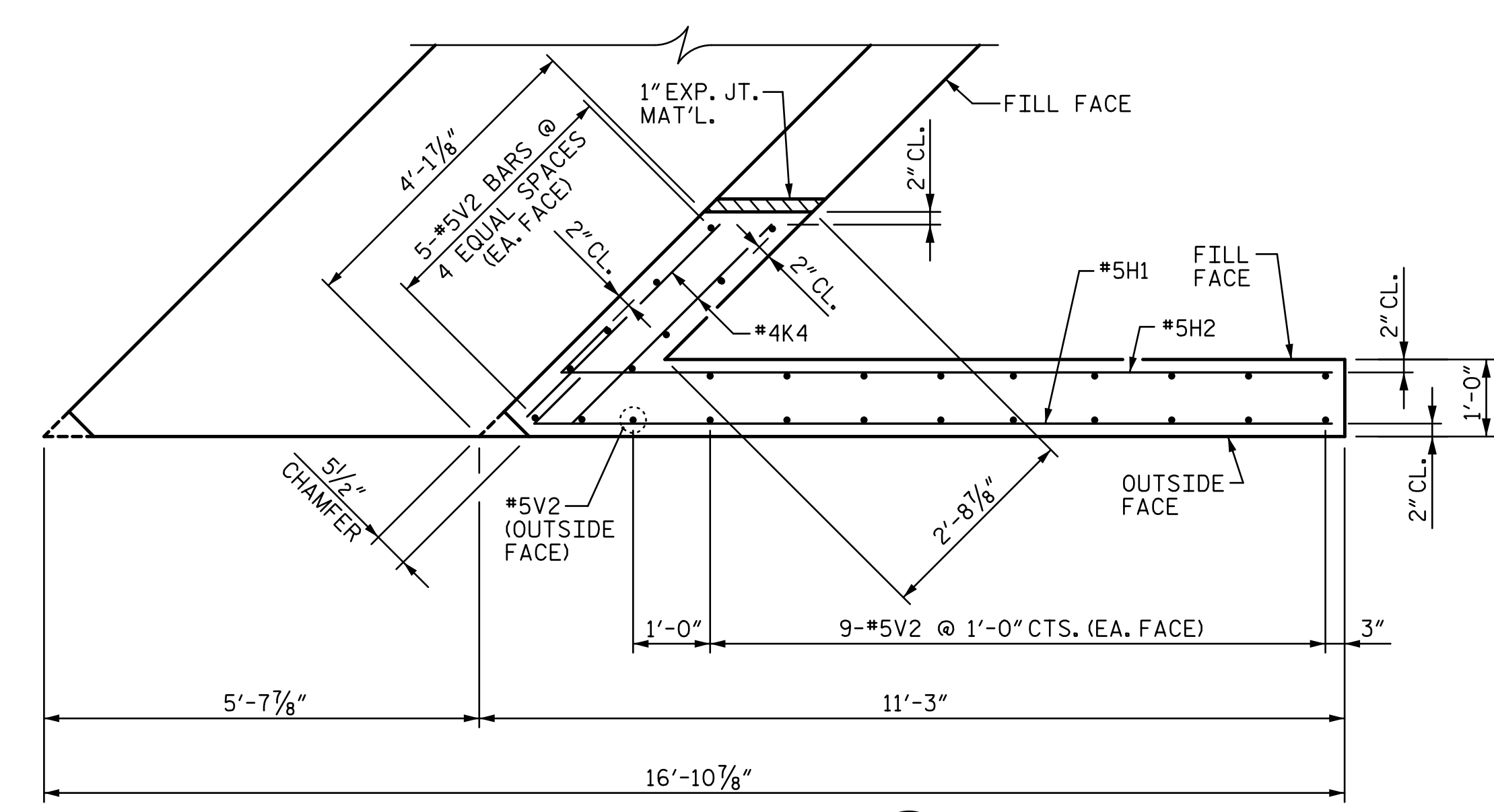


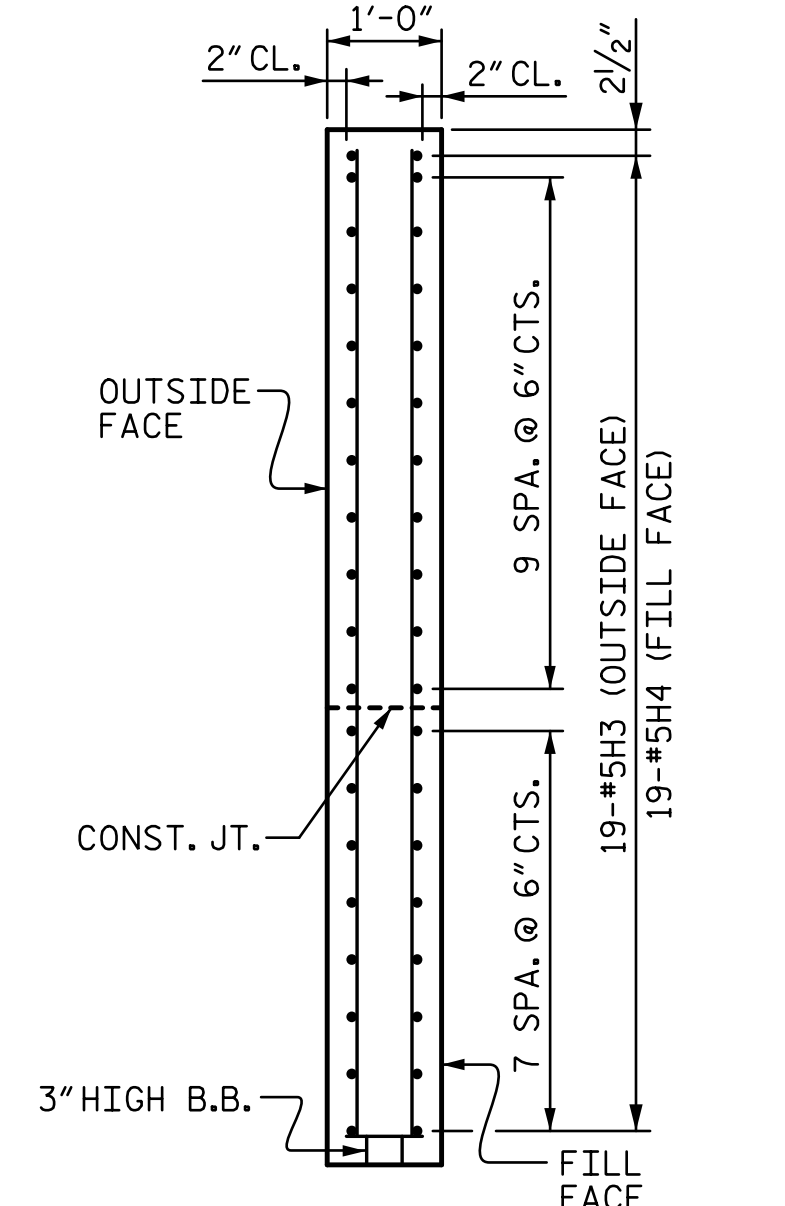
R:\Structures\04_Station\05 RFC Bridge Plans\401_09_B5808_SMU_E23_055_120057.dgn
3/6/2023 10:00:59 AM HensleSG



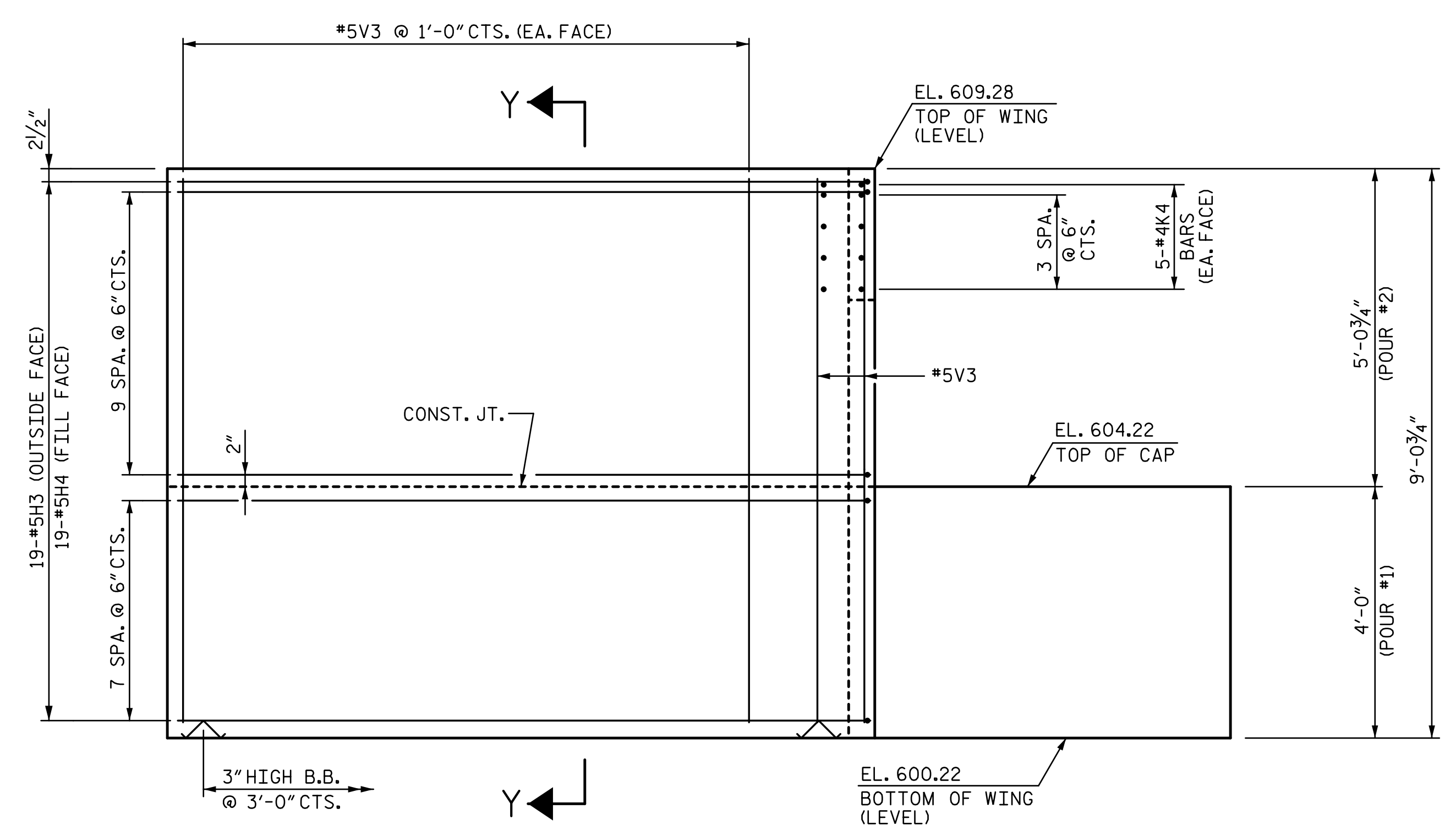
PLAN OF WING (W3)



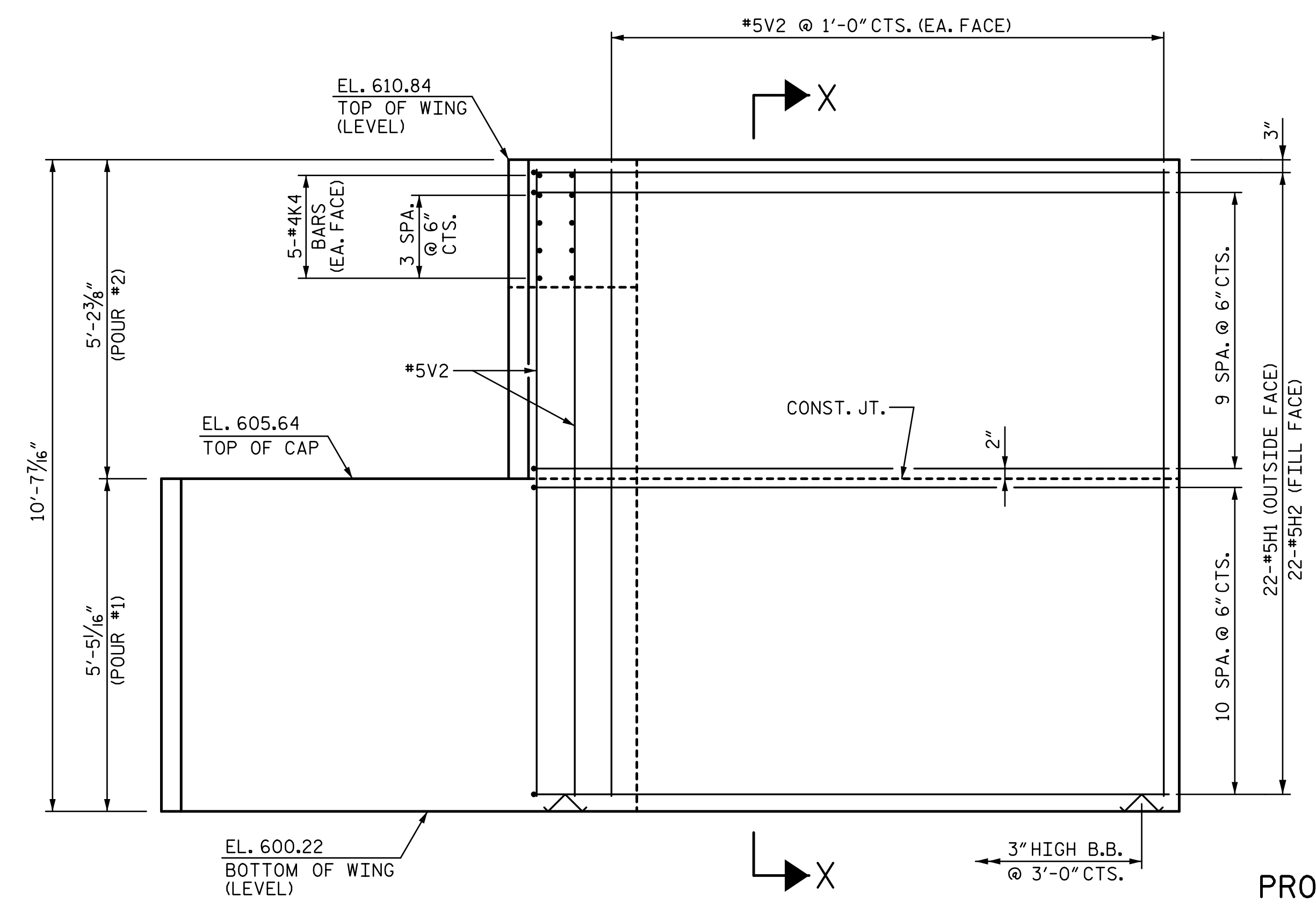
PLAN OF WING (W4)



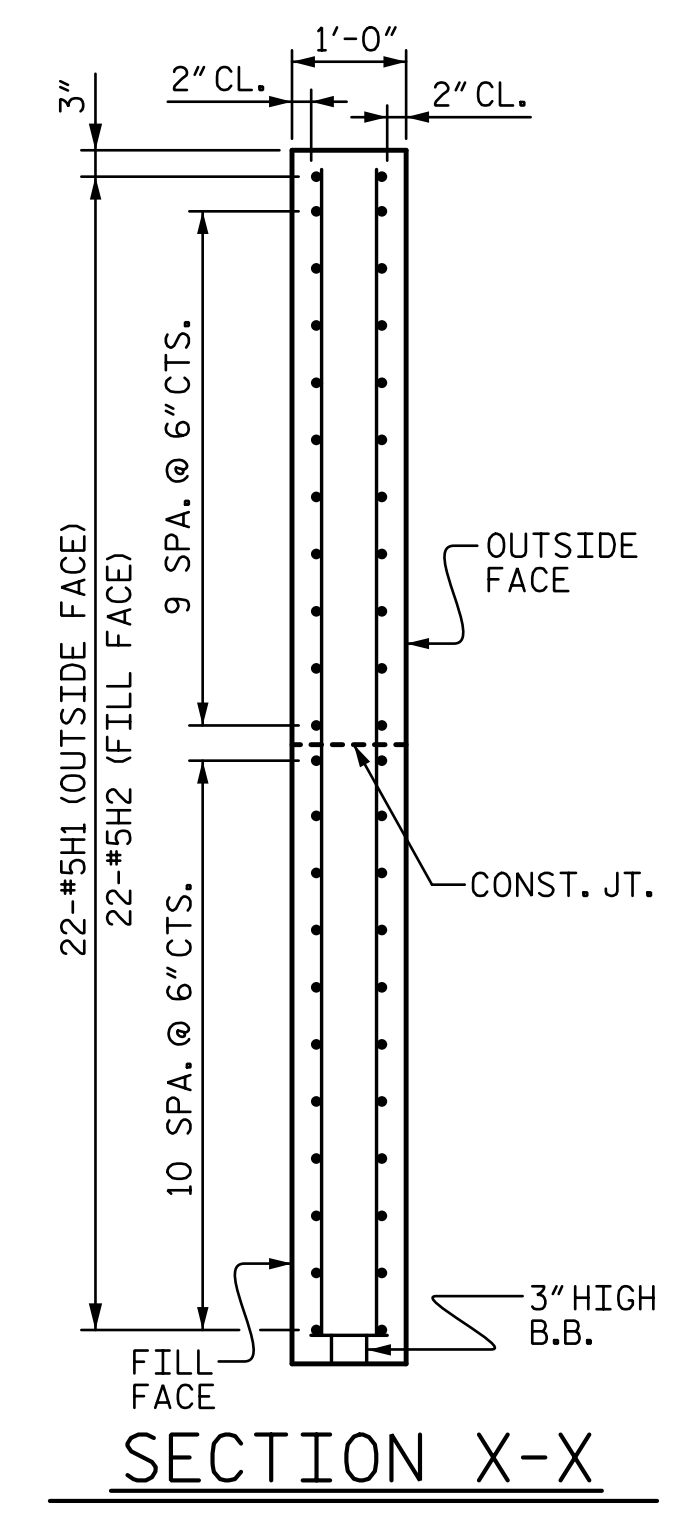
SECTION Y-Y



ELEVATION OF WING (W3)



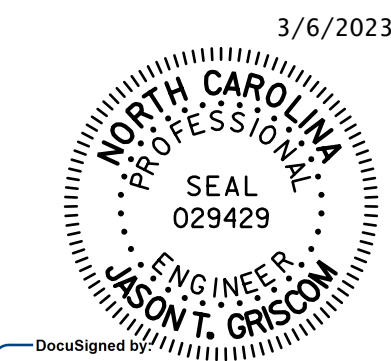
ELEVATION OF WING (W4)



SECTION X-X

PROJECT NO. B-5808
 COUNTY CABARRUS
 STATION: 20+64.00 -L-
 SHEET 3 OF 6

| | | | | | |
|--|-----|-------|-----|-----|-----------------|
| STATE OF NORTH CAROLINA DEPARTMENT OF TRANSPORTATION RALEIGH | | | | | |
| END BENT 2 | | | | | |
| REVISIONS | | | | | SHEET NO. |
| NO. | BY: | DATE: | NO. | BY: | DATE: |
| 1 | | | 3 | | |
| 2 | | | 4 | | |
| | | | | | S-55 |
| | | | | | TOTAL SHEETS 65 |



STV ENGINEERS, INC.
 900 West Trade St., Suite 715
 Charlotte, NC 28202
 NC License Number F-0991

DOCUMENT NOT CONSIDERED
 FINAL UNLESS ALL
 SIGNATURES COMPLETED

ASSEMBLED BY : SGH DATE : 11-22
 CHECKED BY : MLO DATE : 11-22
 DESIGN ENGINEER OF RECORD : J. GRISCOM DATE : 3-23