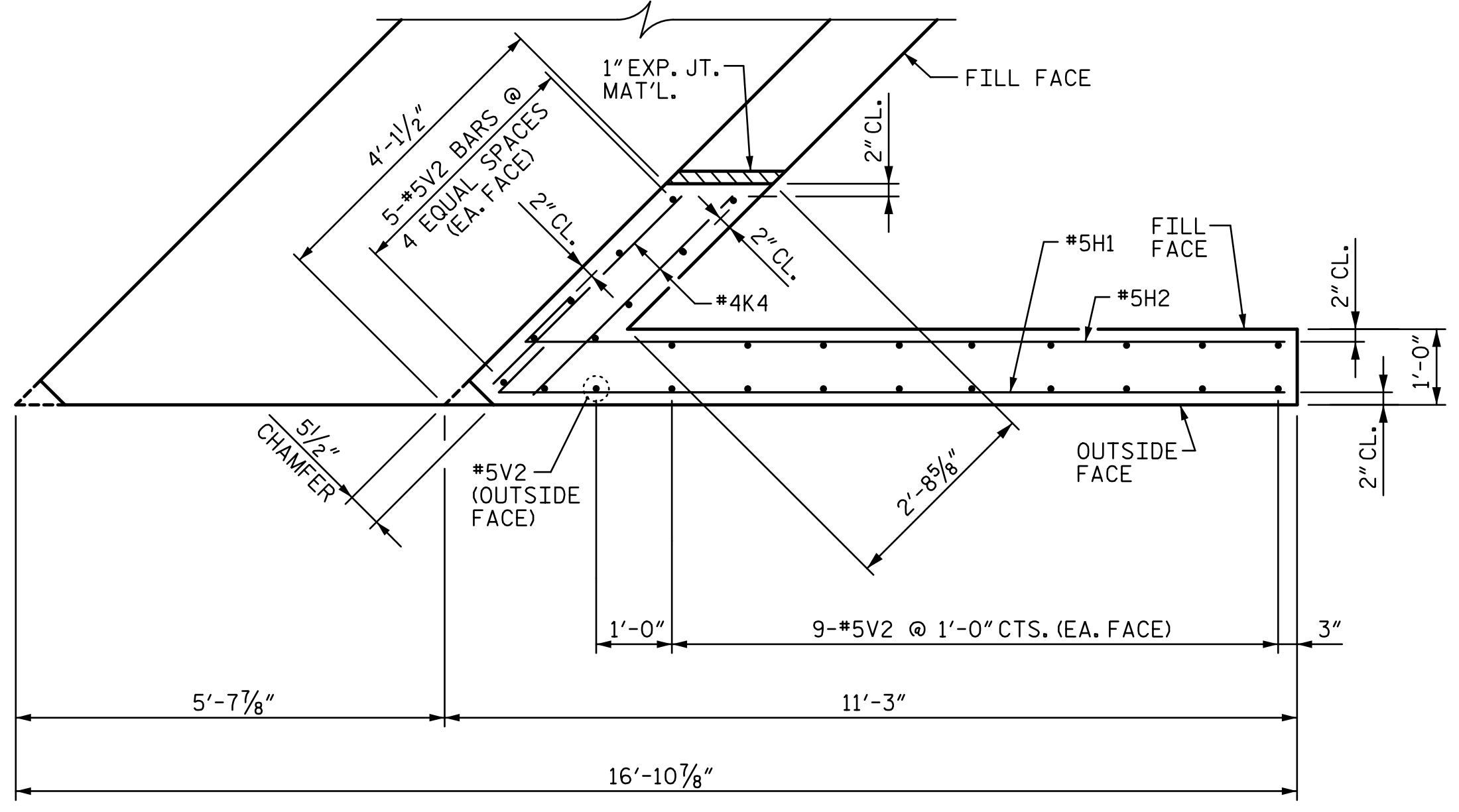
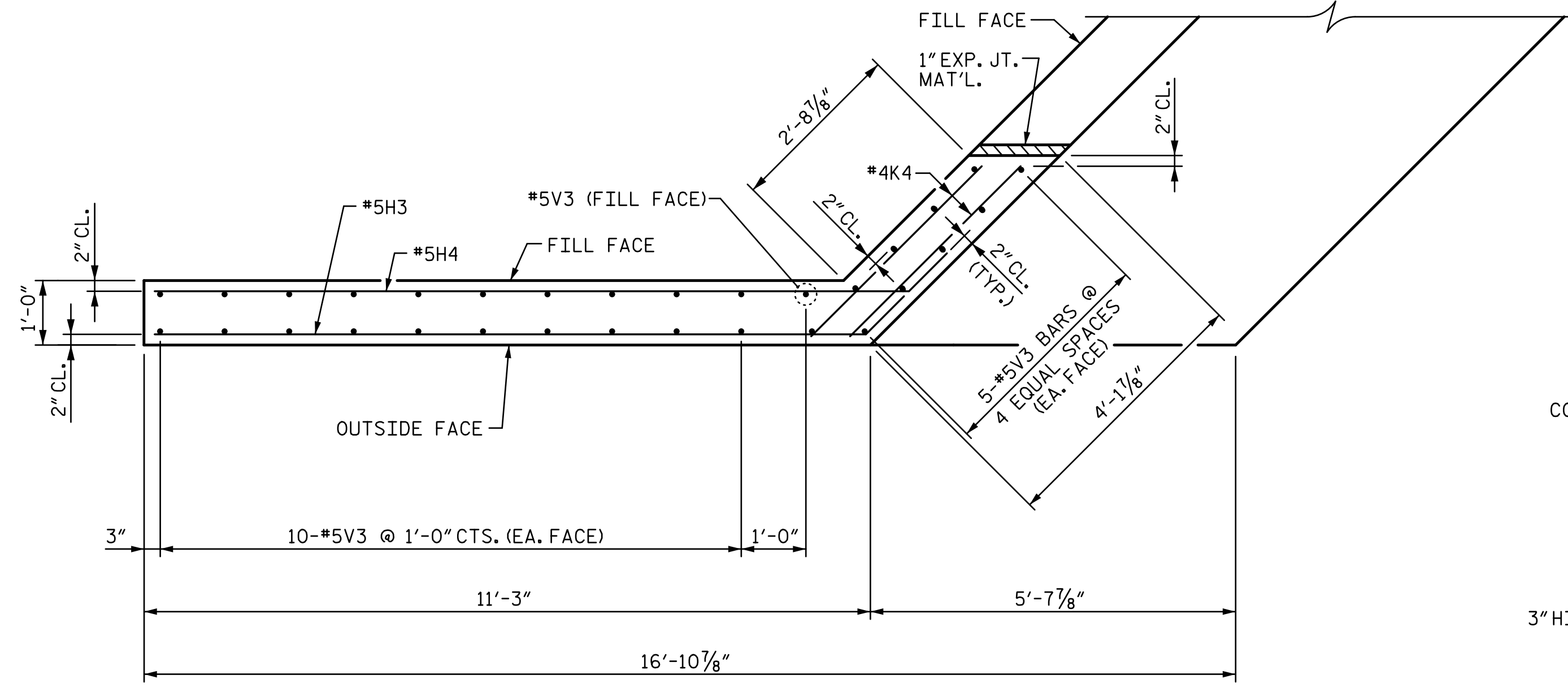


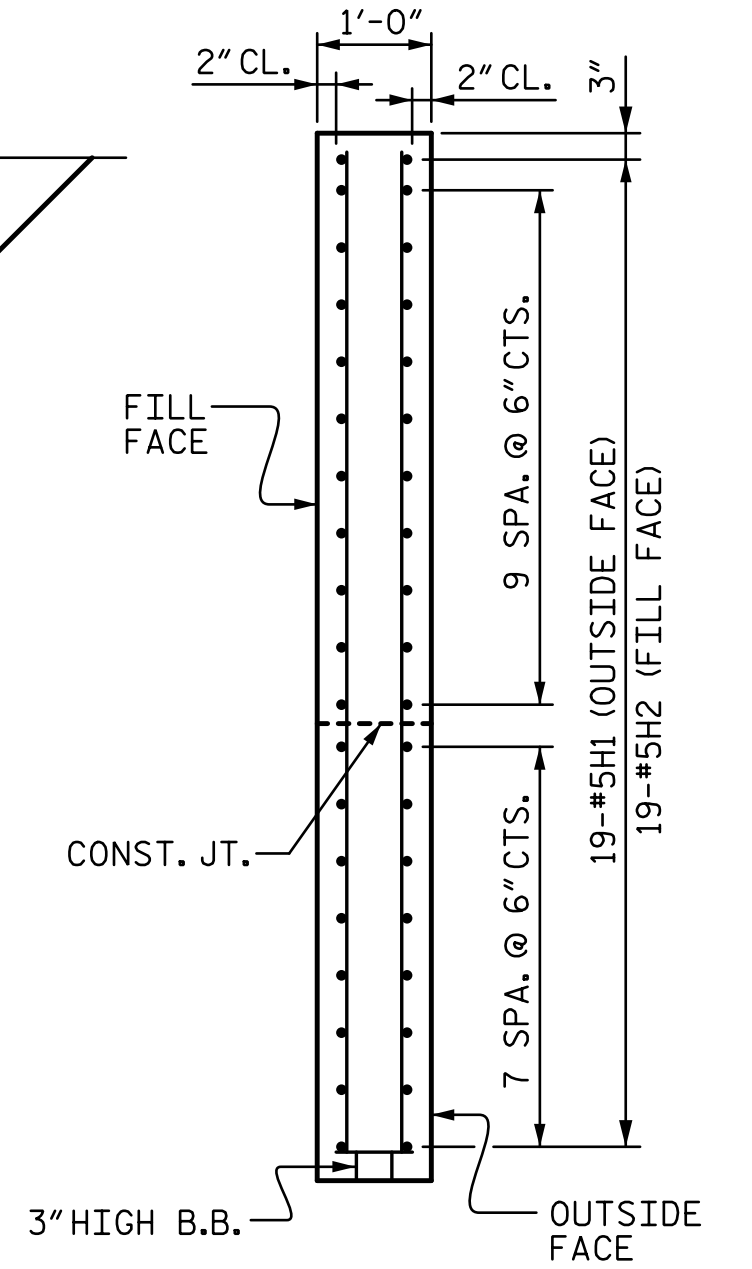
R:\Structures\04_Station\05 RFC Bridge Plans\401_085_B5808_SMU_EI3_045_120057.dgn
3/6/2023 10:56:44 AM HensleSC



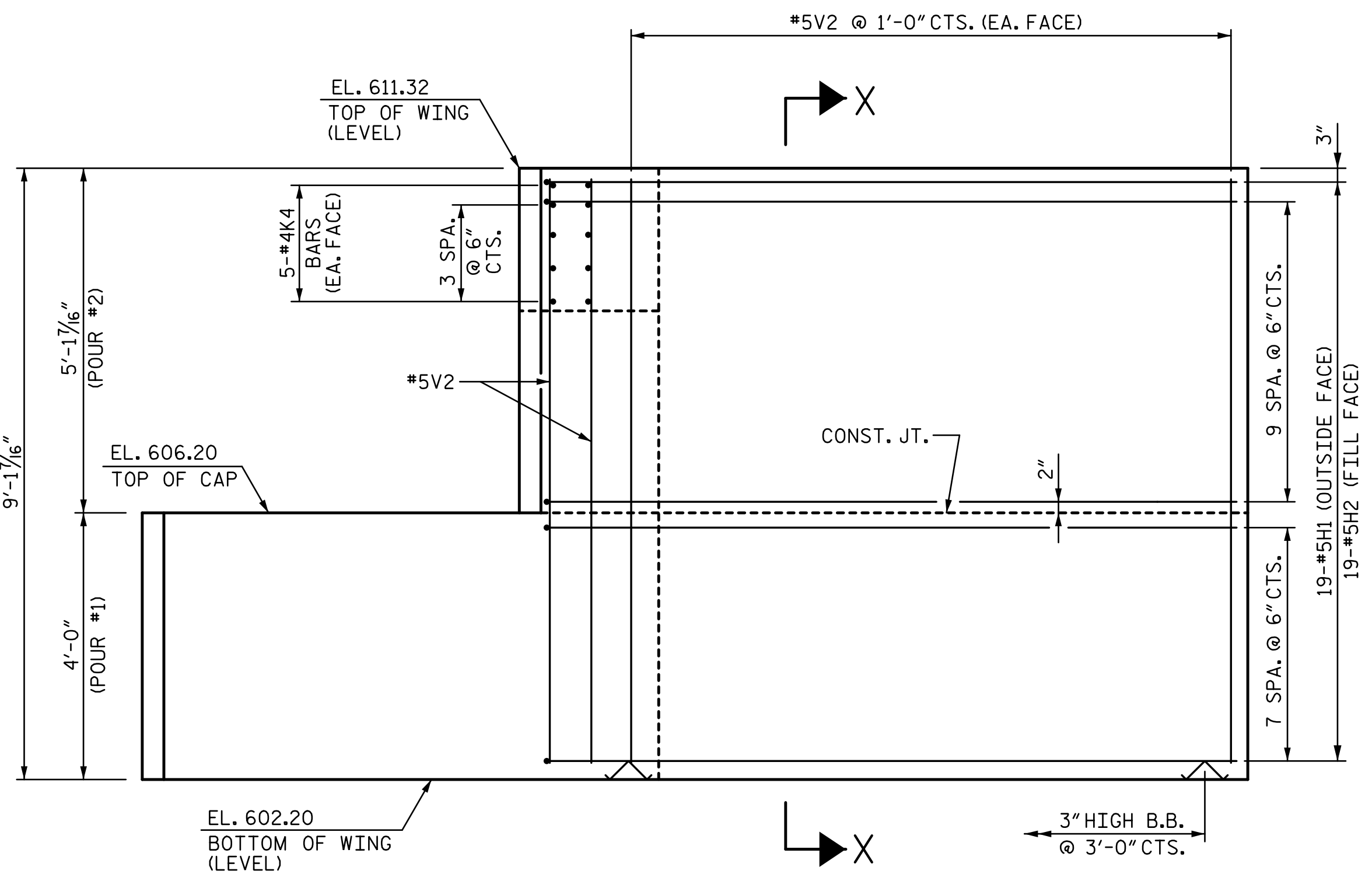
PLAN OF WING (W1)



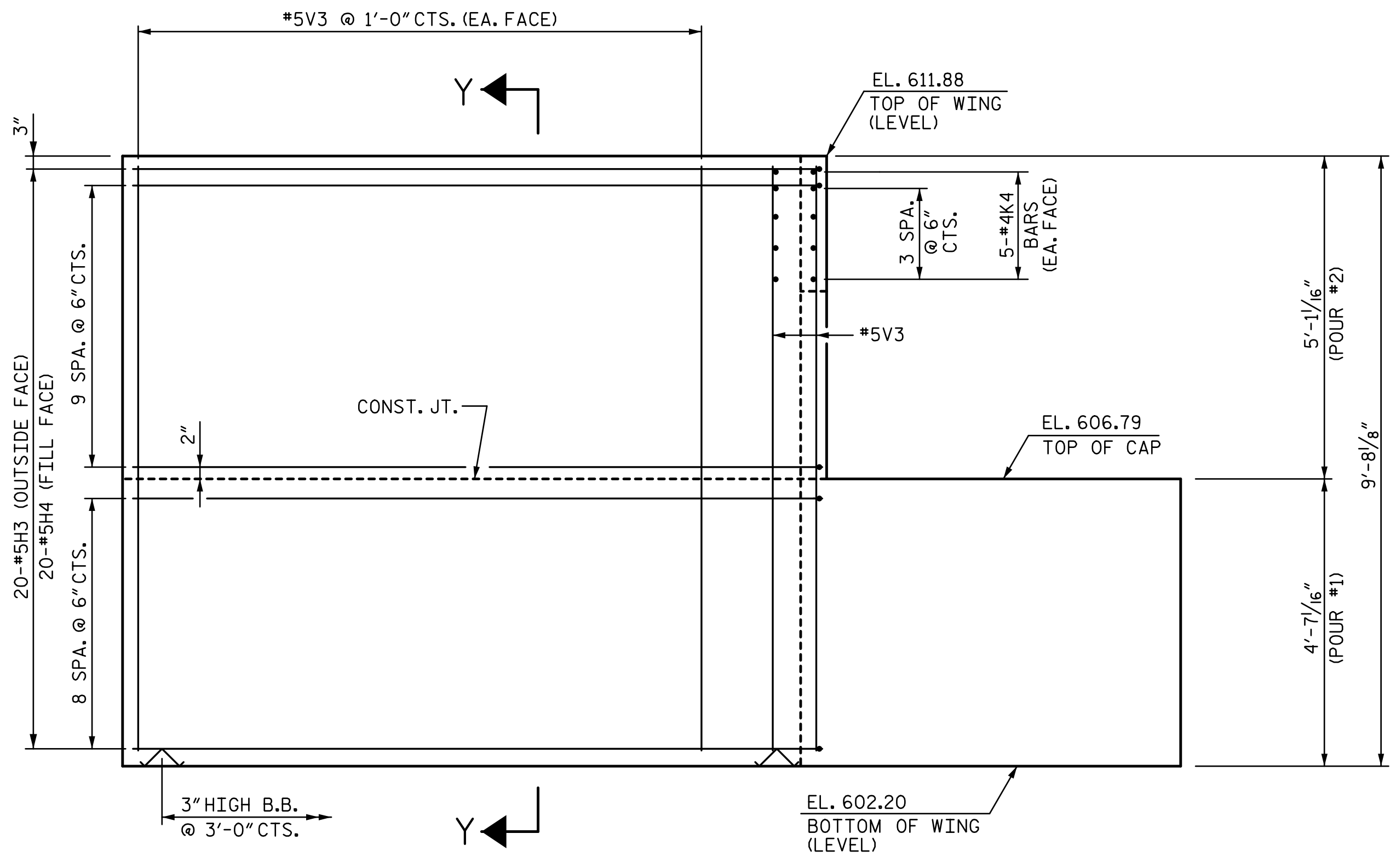
PLAN OF WING (W2)



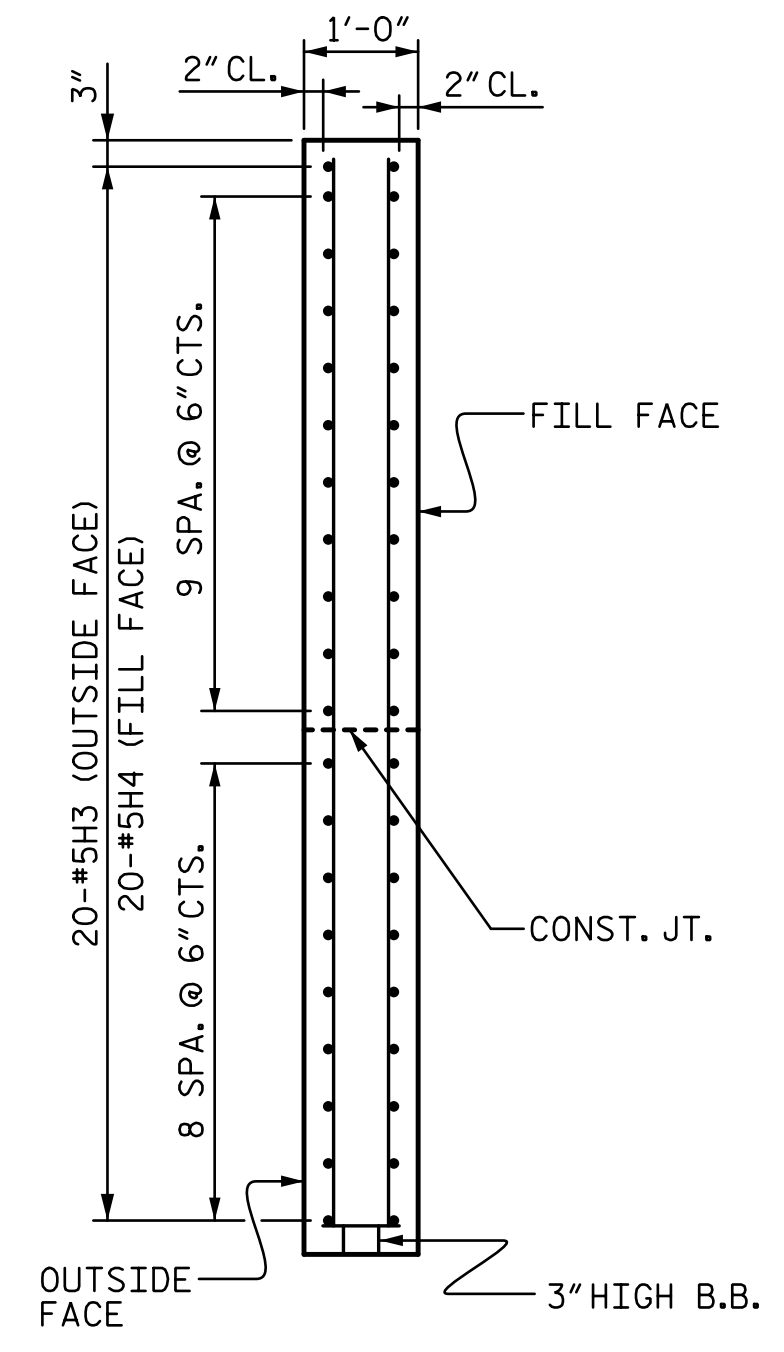
SECTION X-X



ELEVATION OF WING (W1)



ELEVATION OF WING (W2)

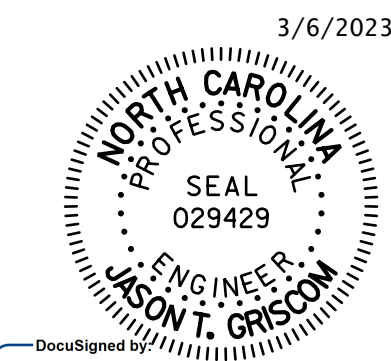


SECTION Y-Y

PROJECT NO. **B-5808**
 COUNTY **CABARRUS**
 STATION: **20+64.00 -L-**
 SHEET 3 OF 6

STATE OF NORTH CAROLINA
 DEPARTMENT OF TRANSPORTATION
 RALEIGH

END BENT 1



STV ENGINEERS, INC.
 900 West Trade St., Suite 715
 Charlotte, NC 28202
 NC License Number F-0991

DOCUMENT NOT CONSIDERED
 FINAL UNLESS ALL
 SIGNATURES COMPLETED

ASSEMBLED BY : SGH DATE : 11-22
 CHECKED BY : MLO DATE : 11-22
 DESIGN ENGINEER OF RECORD : J. GRISCOM DATE : 3-23

REVISIONS				SHEET NO.	
NO.	BY:	DATE:	NO.	BY:	DATE:
1			3		
2			4		

TOTAL SHEETS 65