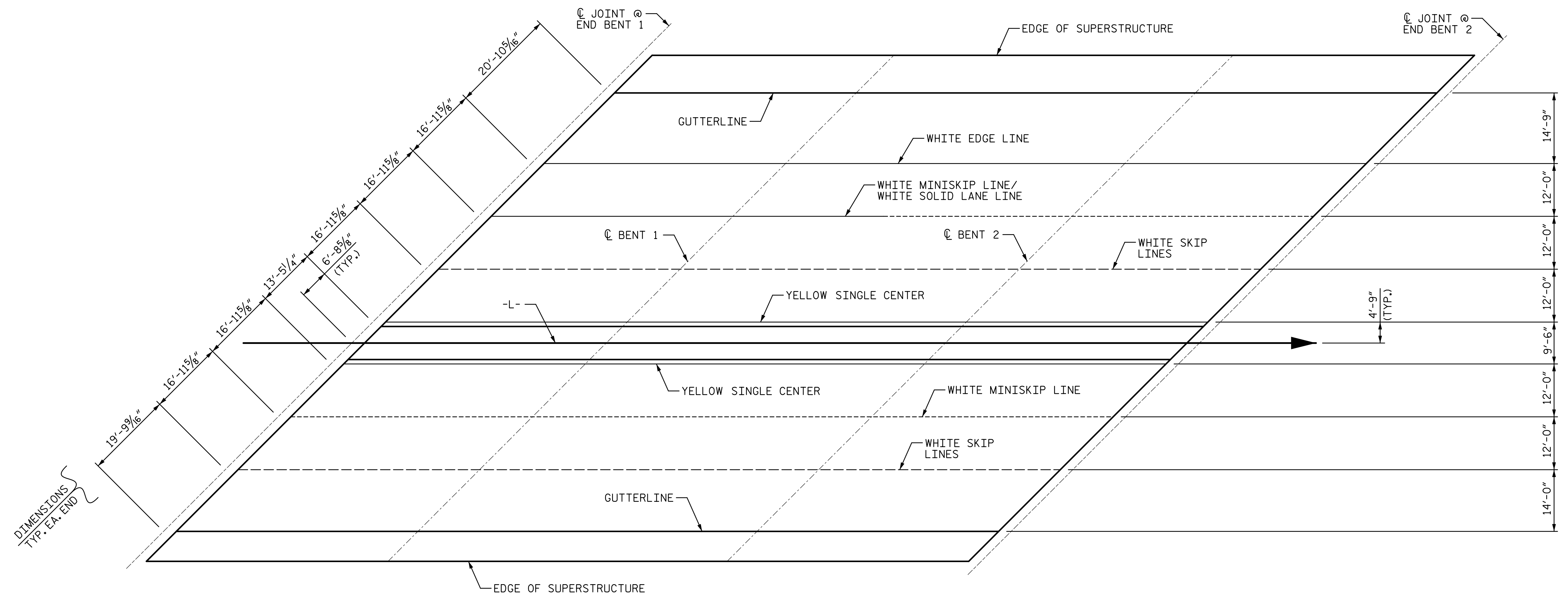
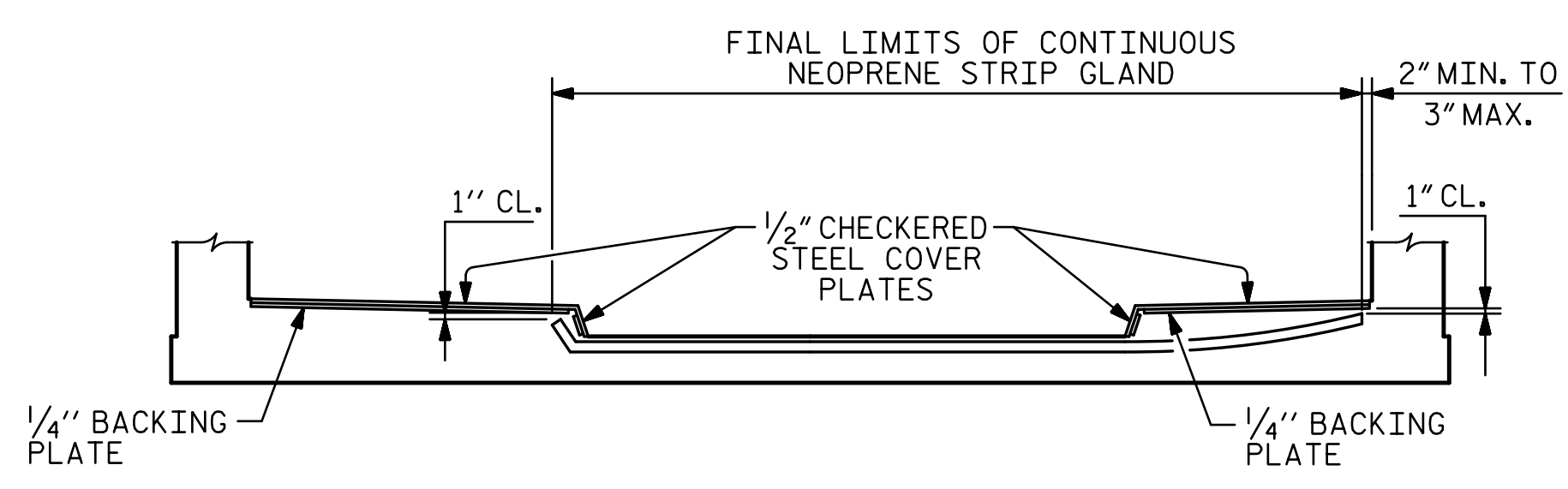


R:\Structures\04_Justation\05 RFC Bridge Plans\401_077_B5808_SMU_EJ4_039_120057.dgn 10:51:07 AM 3/16/2023



PAVEMENT MARKING ALIGNMENT



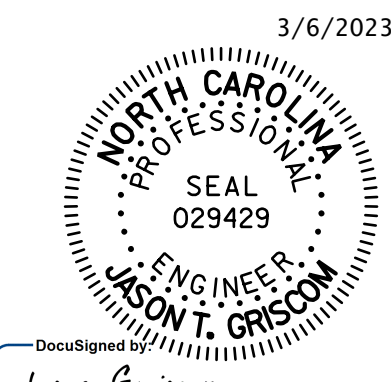
SKETCH SHOWING LIMITS OF CONTINUOUS NEOPRENE STRIP GLAND

STAGE 4

PROJECT NO. B-5808
CABARRUS COUNTY
 STATION: 20+64.00 -L-
 SHEET 4 OF 4

STATE OF NORTH CAROLINA
 DEPARTMENT OF TRANSPORTATION
 RALEIGH

STRIP SEAL EXPANSION JOINT



STV ENGINEERS, INC.
 100 900 West Trade St., Suite 715
 Charlotte, NC 28202
 NC License Number F-0991

DOCUMENT NOT CONSIDERED
 FINAL UNLESS ALL
 SIGNATURES COMPLETED

ASSEMBLED BY :	SGH	DATE :	5-22
CHECKED BY :	MLO	DATE :	6-22
DESIGN ENGINEER OF RECORD :	J. GRISCOM	DATE :	3-23

REVISIONS				SHEET NO.
NO.	BY:	DATE:	NO.	DATE:
1			3	
2			4	

TOTAL SHEETS: 65