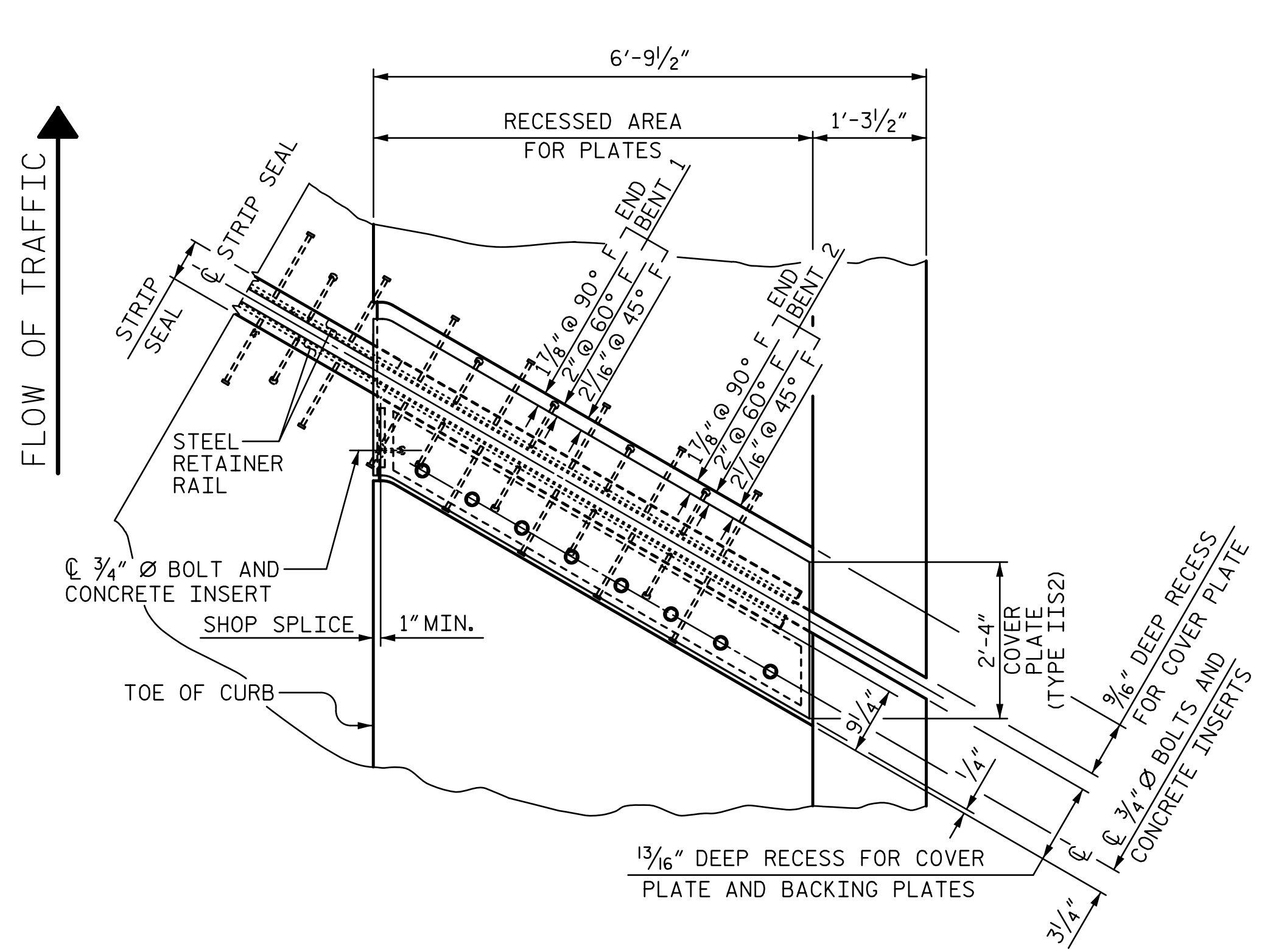
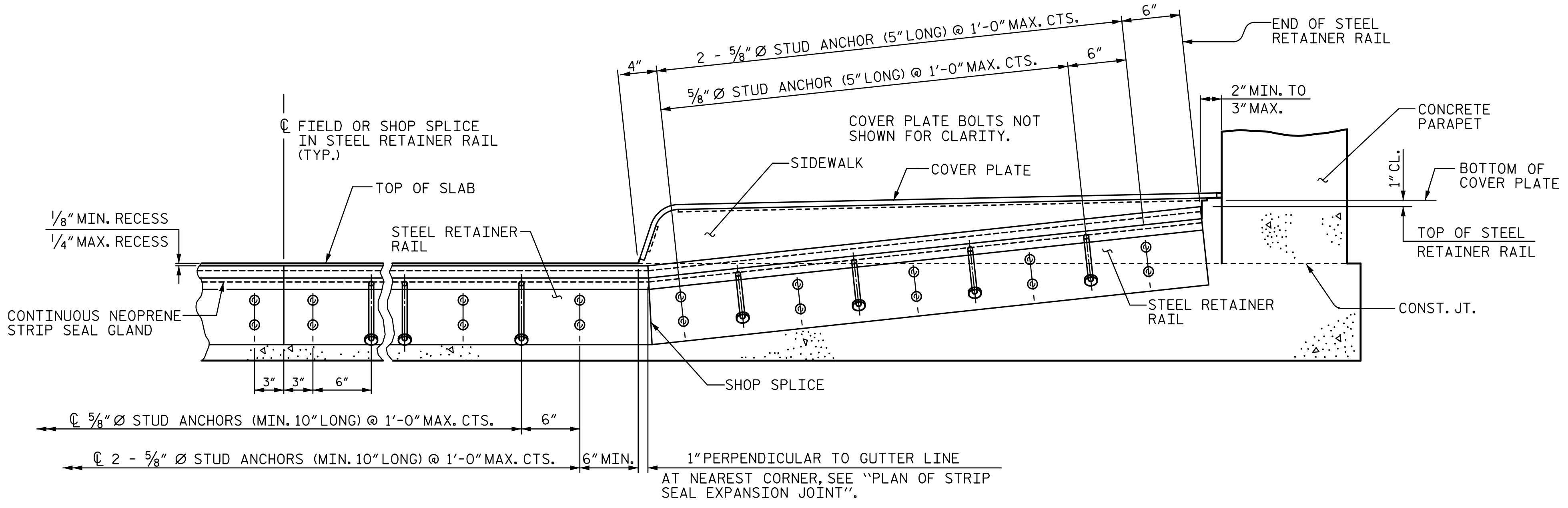


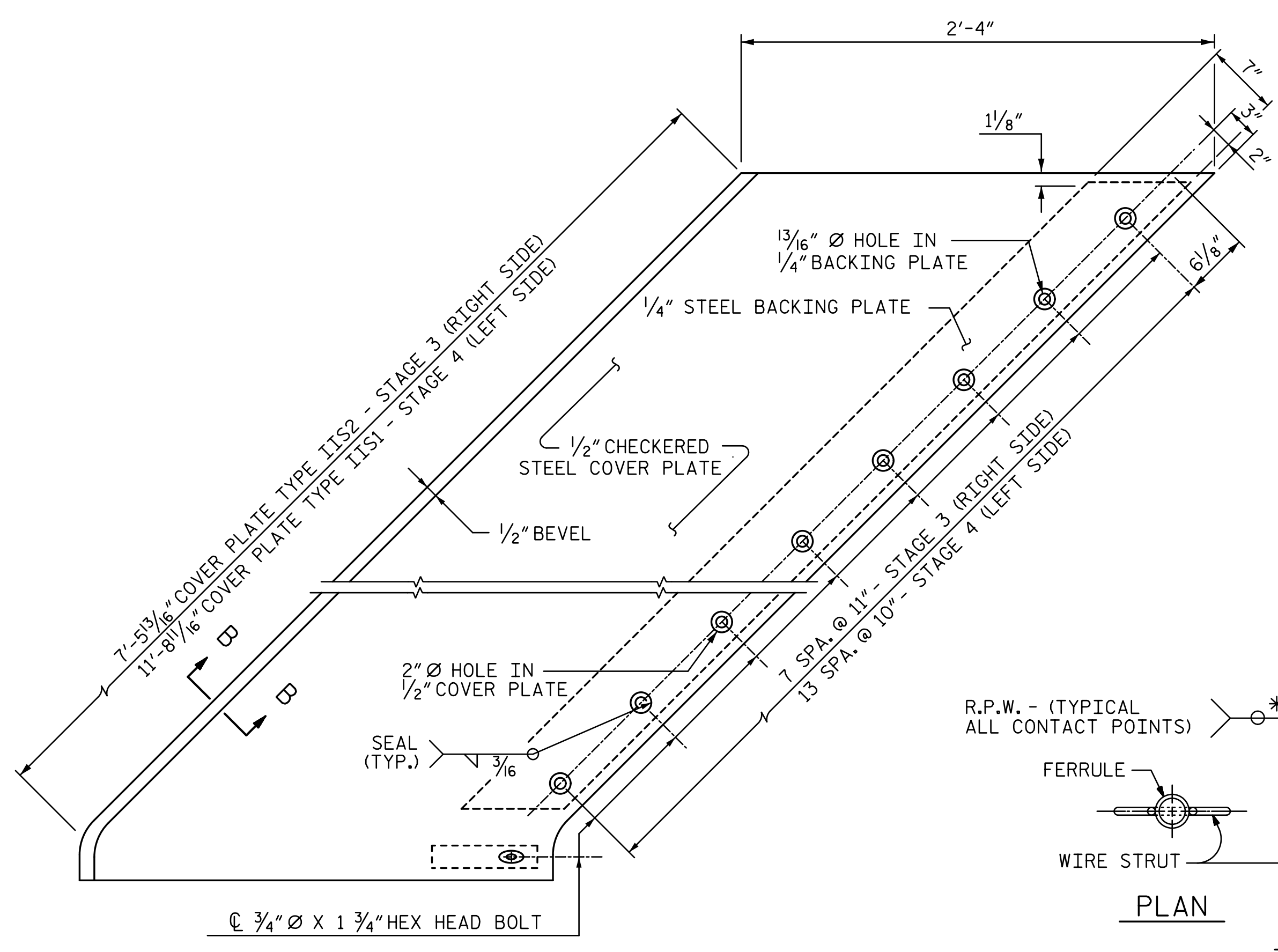
R:\Structures\04_Justation\05 RFC Bridge Plans\401_075_B5808_SMU_EJ3_038_120051.dgn 3/6/2023 10:44:56 AM HensleSC



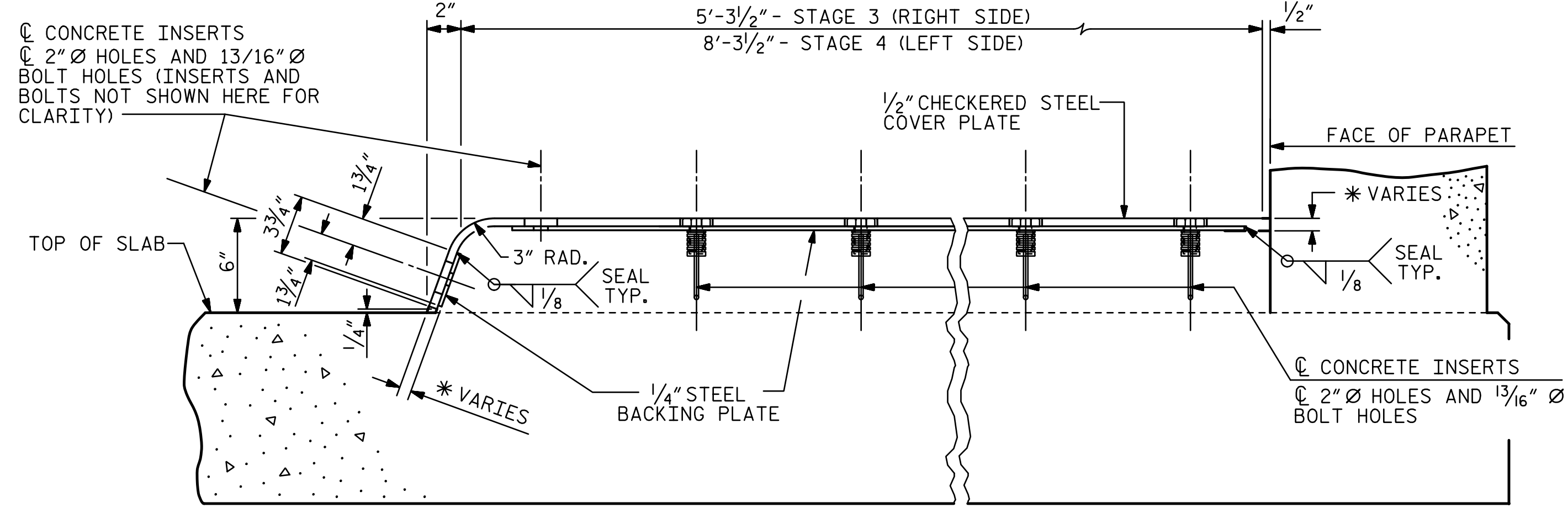
PLAN OF STRIP SEAL EXPANSION JOINT
(RIGHT SIDE ONLY)



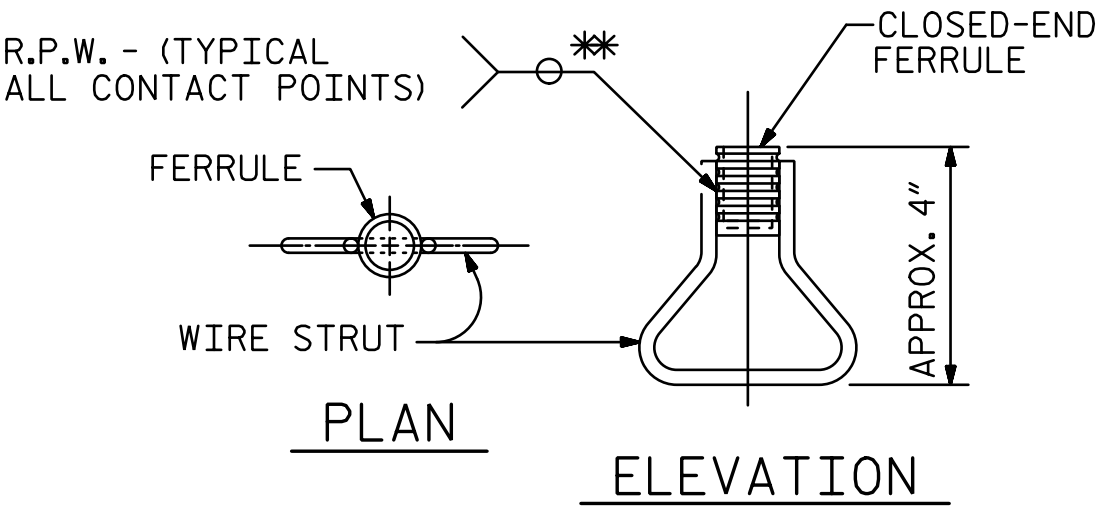
SECTION THRU SIDEWALK NORMAL TO JOINT
(RIGHT SIDE ONLY)



**TYPE IIS - PLAN VIEW
COVER PLATE DETAILS**



END VIEW
(NORMAL TO SIDEWALK)
(RIGHT SIDE SHOWN, LEFT SIDE SIMILAR)

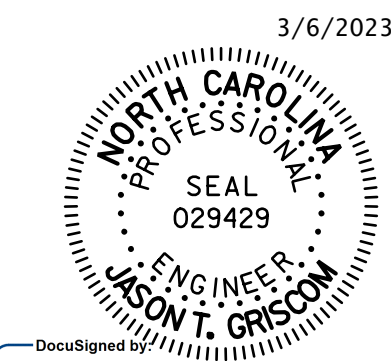


CONCRETE INSERT

* EACH WELDED ATTACHMENT OF WIRE TO FERRULE SHALL DEVELOP THE TENSILE STRENGTH OF THE WIRE.

* CONCRETE RECESS DIMENSIONS:
 13/16" FOR THE SIDE OF THE JOINT HAVING THE 1/2" COVER PLATE WITH A 1/4" BACKING PLATE.
 9/16" FOR THE SIDE OF THE JOINT HAVING ONLY THE 1/2" COVER PLATE.

PROJECT NO. **B-5808**
CABARRUS COUNTY
 STATION: **20+64.00 -L-**
 SHEET 3 OF 4



STV ENGINEERS, INC.
 100 West Trade St., Suite 715
 Charlotte, NC 28202
 NC License Number F-0991

DOCUMENT NOT CONSIDERED
 FINAL UNLESS ALL
 SIGNATURES COMPLETED

STATE OF NORTH CAROLINA DEPARTMENT OF TRANSPORTATION RALEIGH					
STRIP SEAL EXPANSION JOINT					
REVISIONS					
NO.	BY:	DATE:	NO.	BY:	DATE:
1			3		
2			4		
					SHEET NO. S-38
					TOTAL SHEETS 65

ASSEMBLED BY : SGH DATE : 5-22
 CHECKED BY : MLO DATE : 6-22
 DESIGN ENGINEER OF RECORD : J. GRISCOM DATE : 3-23