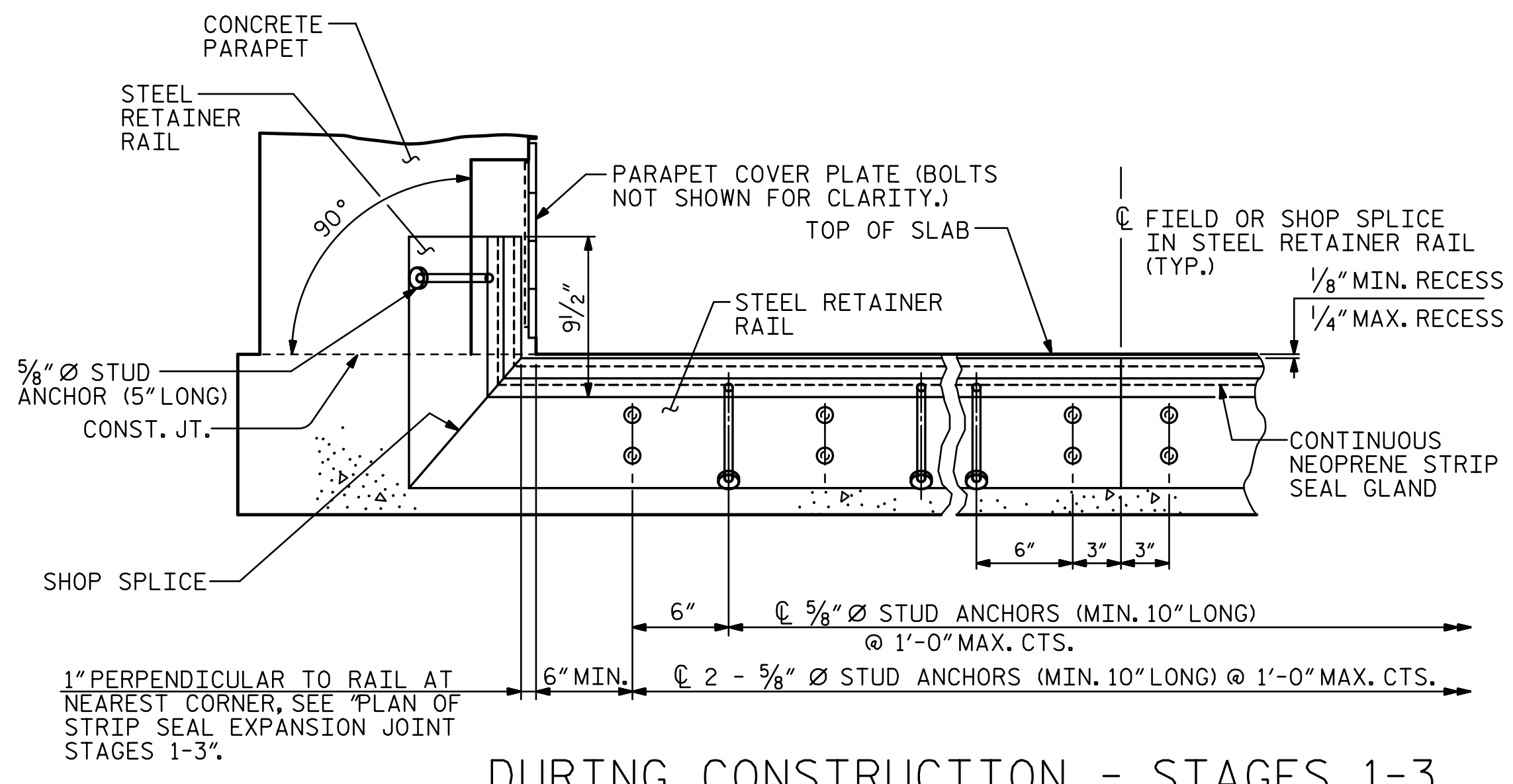
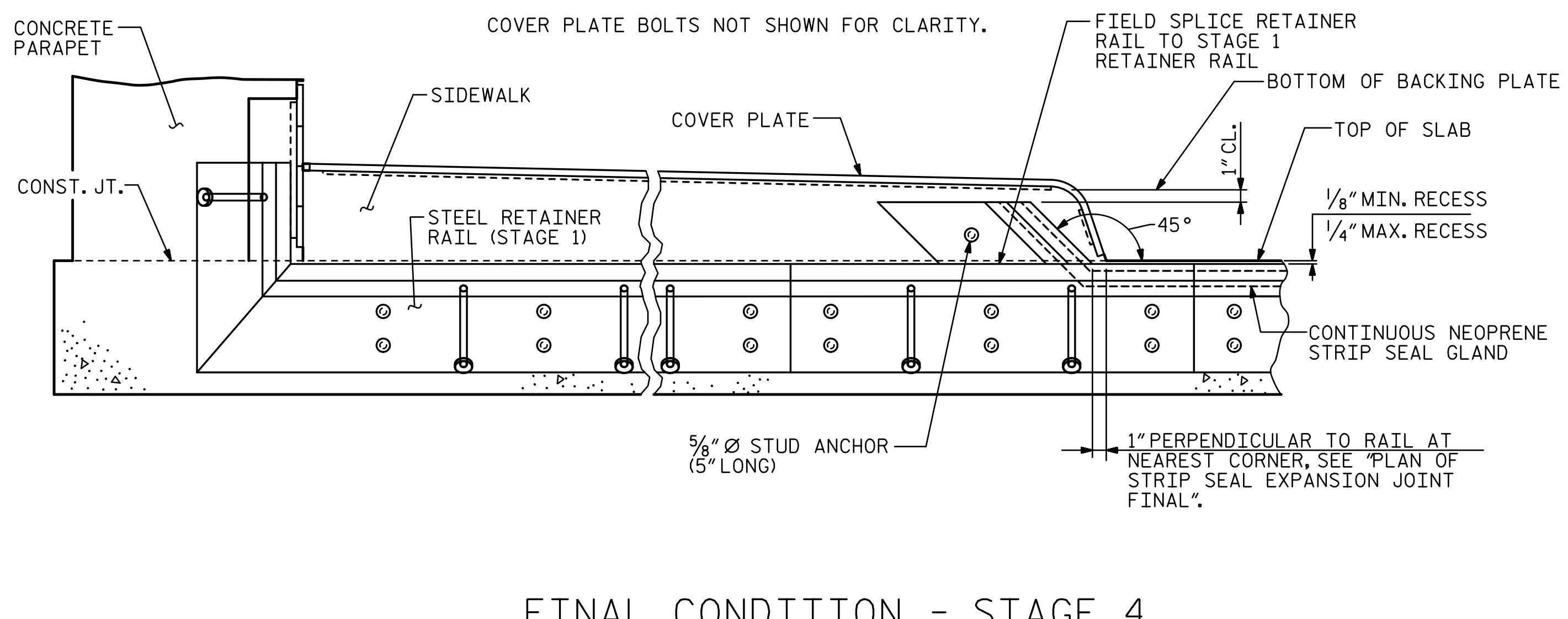


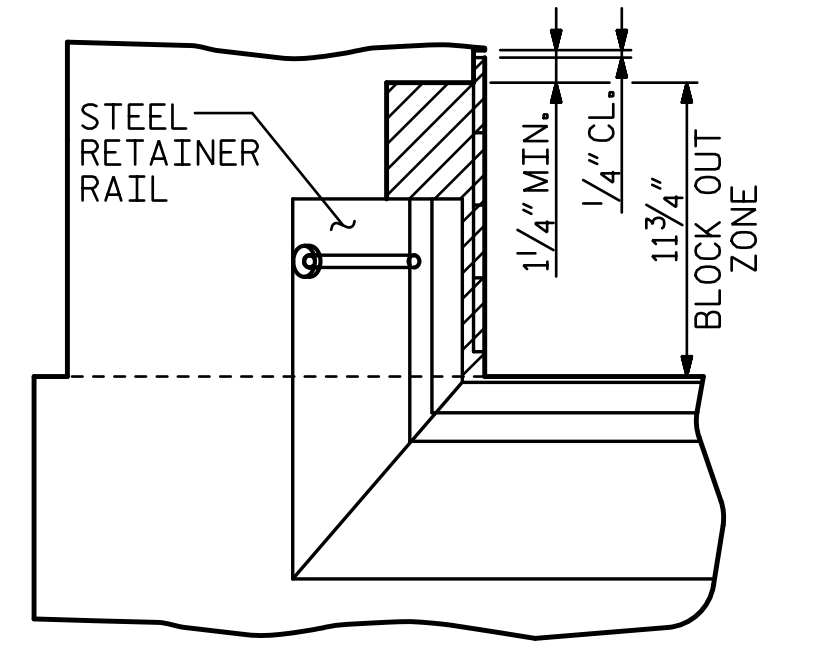
R:\Structures\04_Justation\05 RFC Bridge Plans\401_073_B5808_SMU_EJ2_037_120057.dgn 3/6/2023 10:44:32 AM HensleSC



DURING CONSTRUCTION - STAGES 1-3



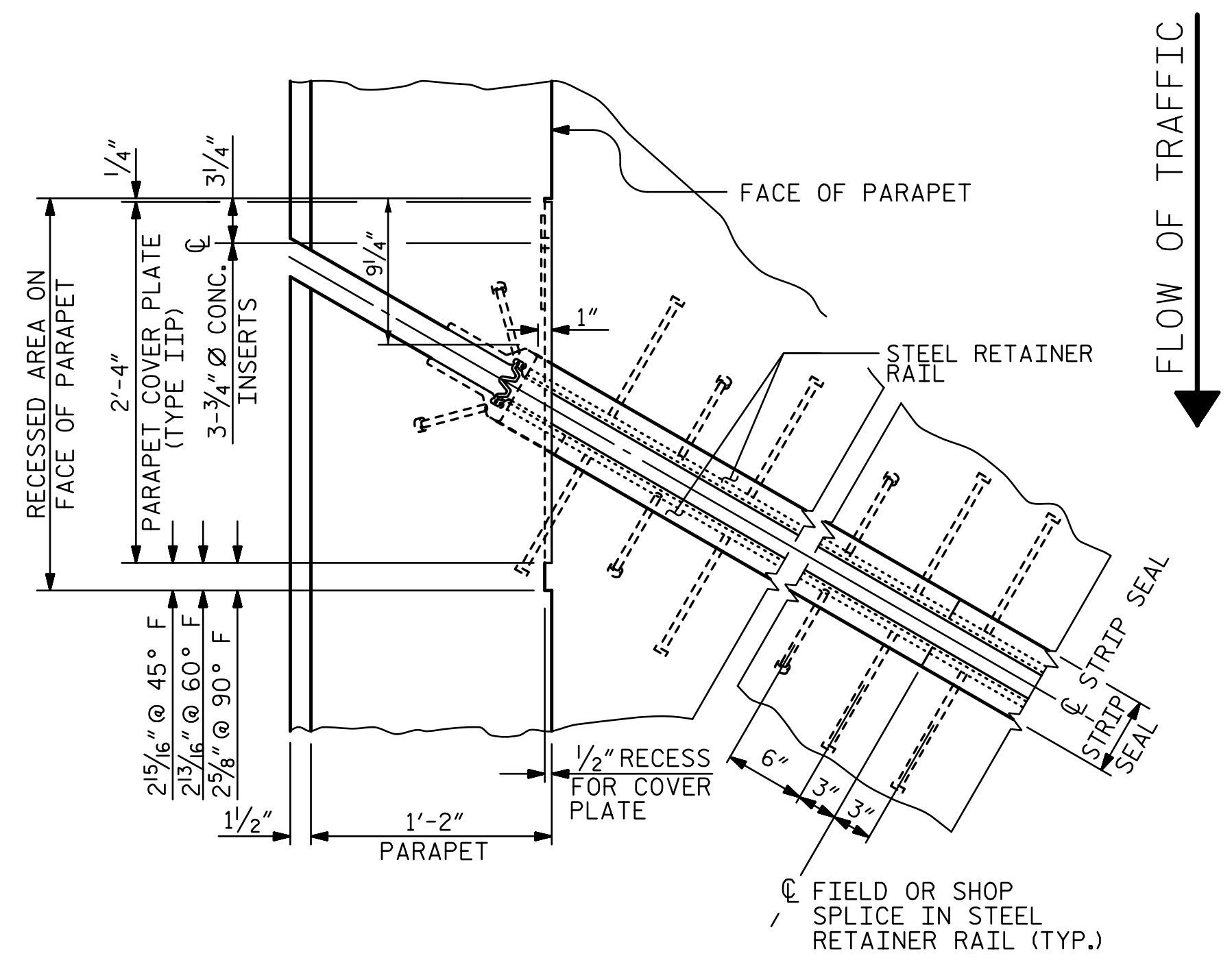
FINAL CONDITION - STAGE 4



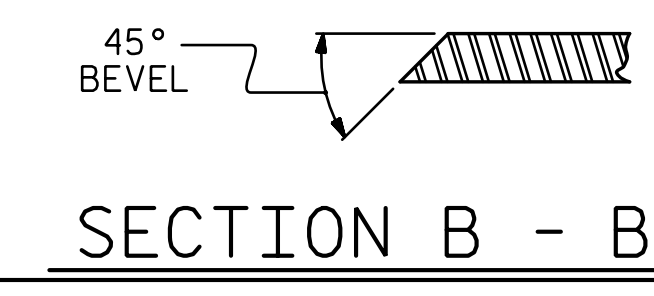
BLOCK OUT DETAIL LEFT SIDE STAGES 1-3

SECTION THRU SIDEWALK NORMAL TO JOINT

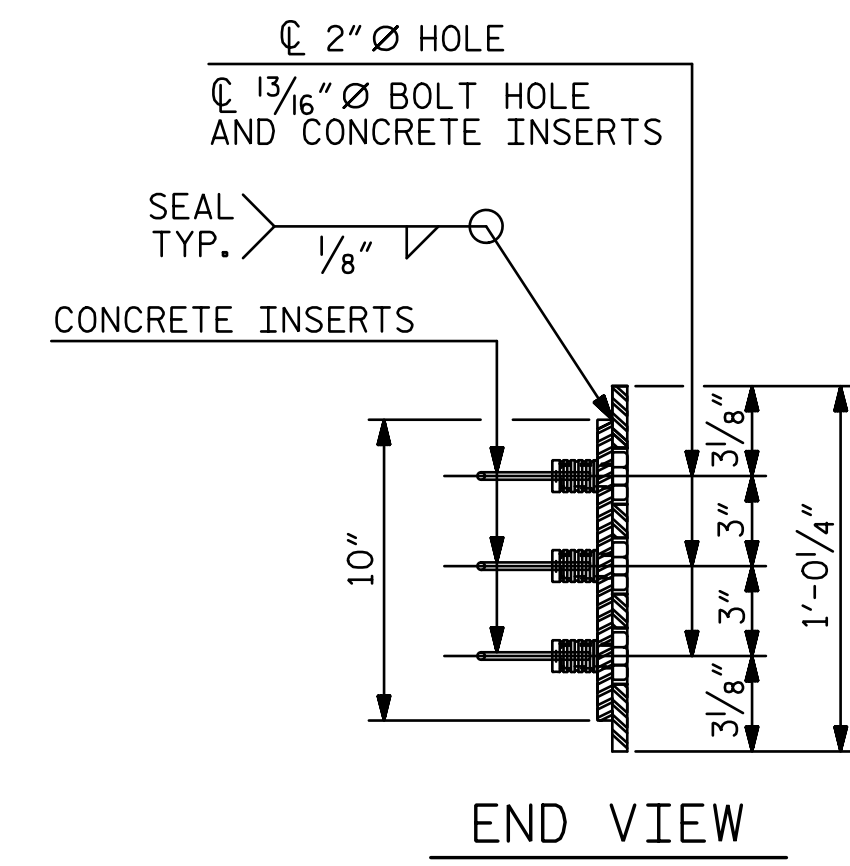
(LEFT SIDE ONLY)



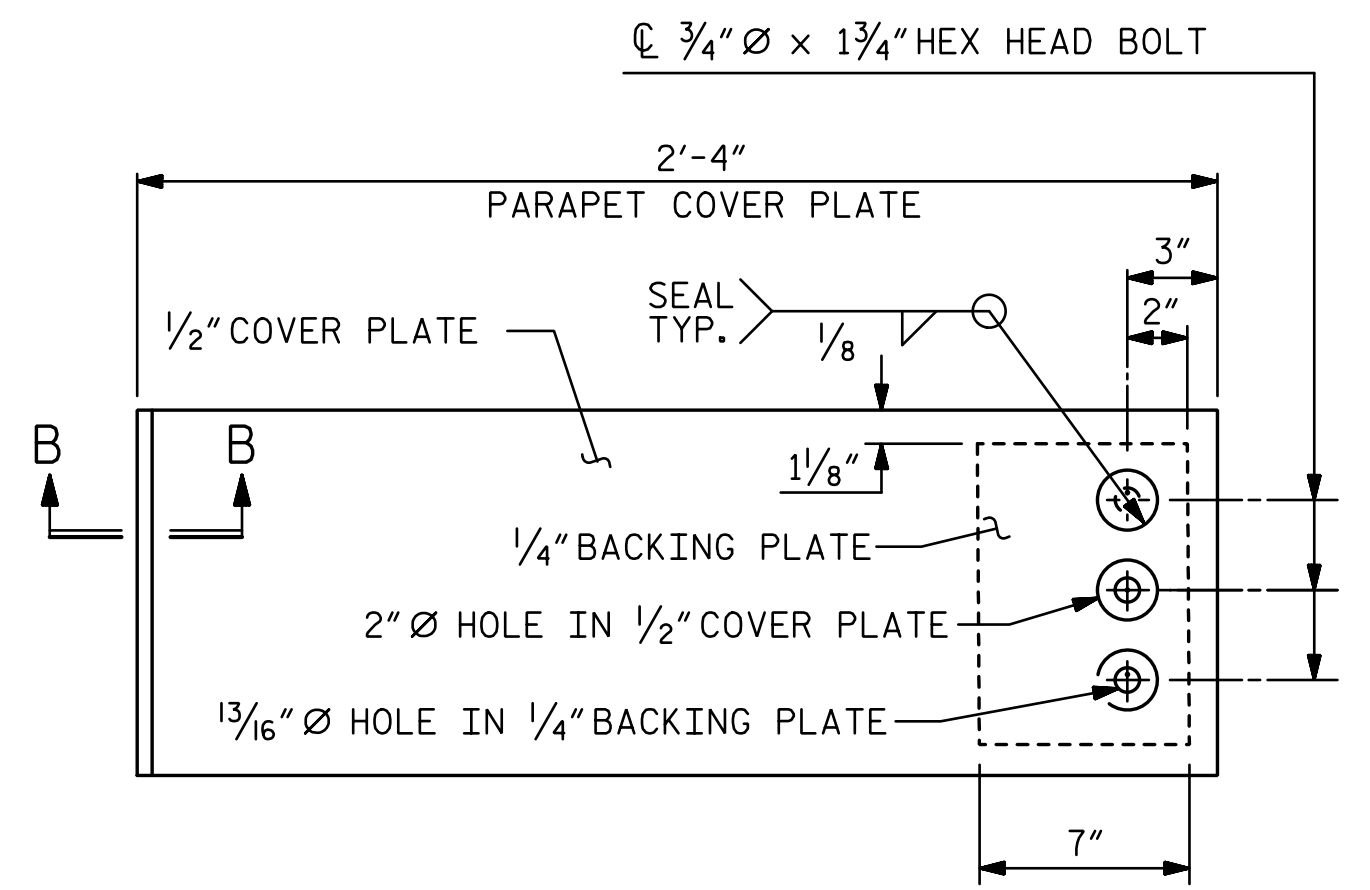
PLAN OF STRIP SEAL EXPANSION JOINT STAGES 1-3 (LEFT SIDE ONLY)



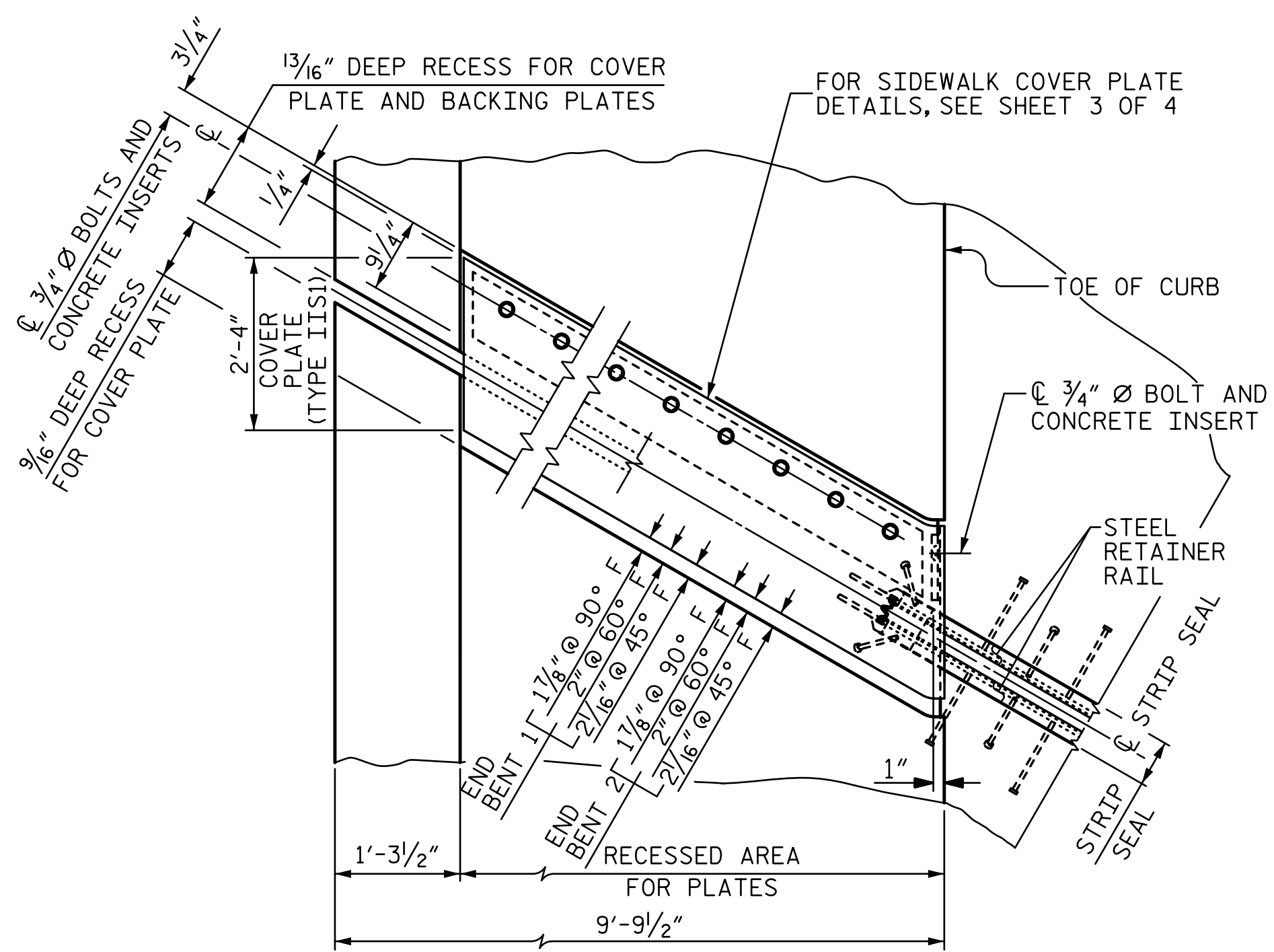
SECTION B - B



END VIEW



TYPE IIP - ELEVATION VIEW



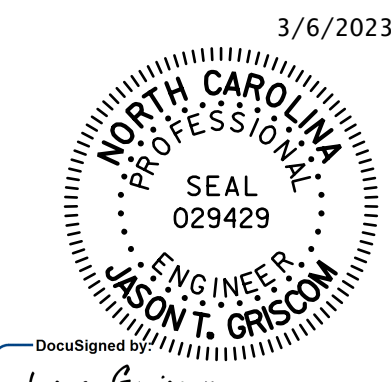
PLAN OF STRIP SEAL EXPANSION JOINT FINAL (LEFT SIDE ONLY)

PARAPET COVER PLATE AND RETAINER RAILS FROM STAGES 1-3 NOT SHOWN FOR CLARITY.

PARAPET COVER PLATE DETAILS

FOR CONCRETE INSERT DETAILS, SEE SHEET 3 OF 4.

FLOW OF TRAFFIC



STV ENGINEERS, INC. 100 900 West Trade St., Suite 715 Charlotte, NC 28202 NC License Number F-0991

DOCUMENT NOT CONSIDERED FINAL UNLESS ALL SIGNATURES COMPLETED

PROJECT NO. B-5808
 COUNTY CABARRUS
 STATION: 20+64.00 -L-
 SHEET 2 OF 4

STATE OF NORTH CAROLINA
 DEPARTMENT OF TRANSPORTATION
 RALEIGH

STRIP SEAL EXPANSION JOINT

ASSEMBLED BY : SGH DATE : 4-22
 CHECKED BY : MLO DATE : 7-22
 DESIGN ENGINEER OF RECORD : J. GRISCOM DATE : 3-23

| REVISIONS | | | | SHEET NO. | |
|-----------|-----|-------|-----|-----------|-------|
| NO. | BY: | DATE: | NO. | BY: | DATE: |
| 1 | | | 3 | | |
| 2 | | | 4 | | |

S-37
TOTAL SHEETS 65