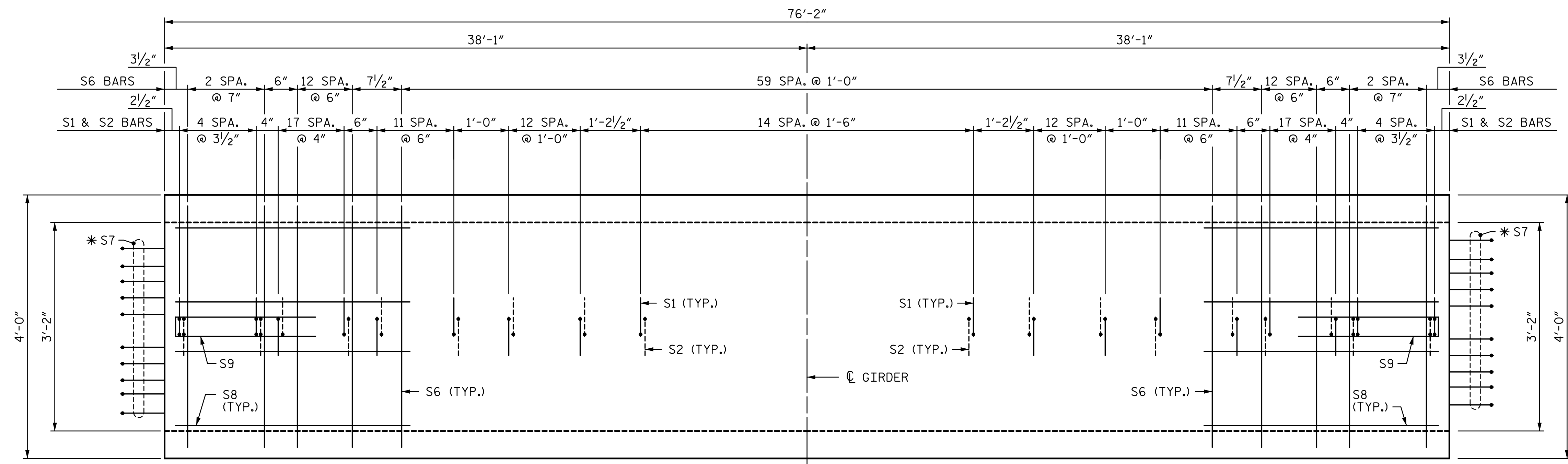
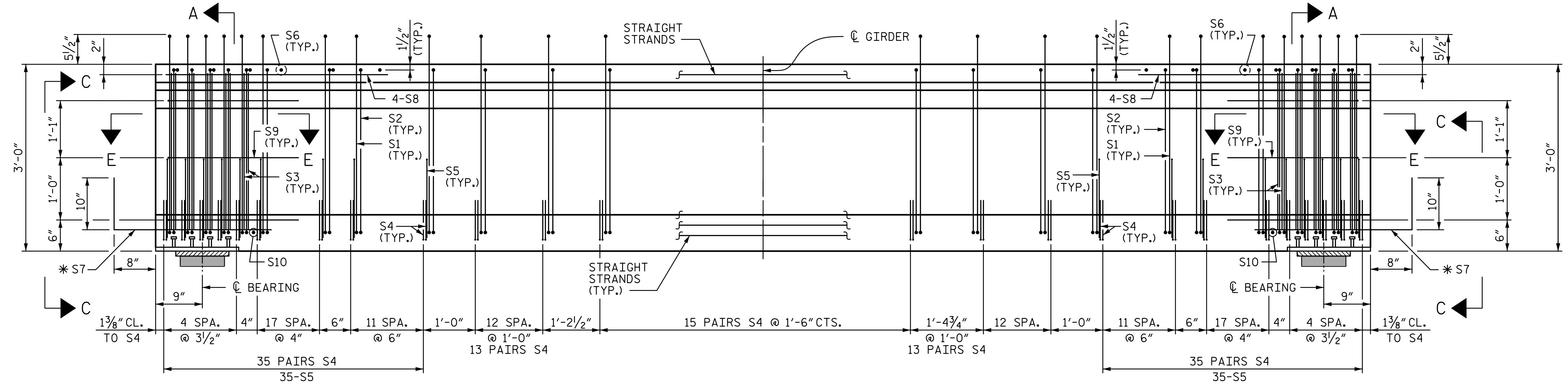


R:\Structures\04_Justation\05 RFC Bridge Plans\401_047_B5808_SMU_G2_024_120057.dgn 3/6/2023 10:37:52 AM HensleSC



PLAN OF GIRDER



ELEVATION OF GIRDER

1/2" Ø FORMED HOLES NOT SHOWN, SEE 'FRAMING PLAN' FOR LOCATIONS

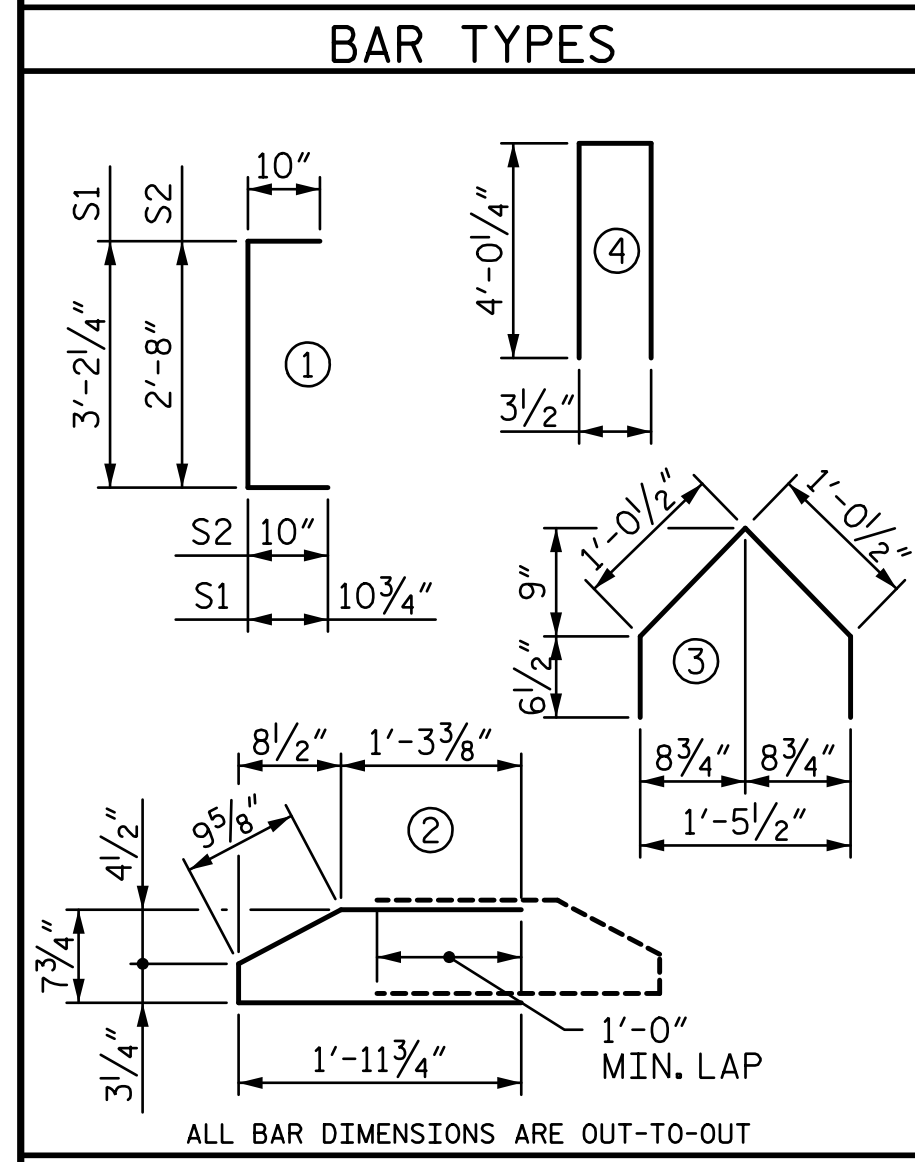
NOTES:
 FOR SECTIONS AND DETAILS, SEE SHEET 3 OF 3.
 FOR ADDITIONAL NOTES, SEE SHEET 3 OF 3.
 ALTERNATE DIRECTION OF #5S1 AND #5S2 BARS.

ASSEMBLED BY :	SGH	DATE :	7-21
CHECKED BY :	MLO	DATE :	5-22
DESIGN ENGINEER OF RECORD :	J. GRISCOM	DATE :	3-23

0.6" Ø L. R. GRADE 270 STRANDS		
AREA (SQUARE INCHES)	ULTIMATE STRENGTH (LBS. PER STRAND)	APPLIED PRESTRESS (LBS. PER STRAND)
0.217	58,600	43,950

REINFORCING STEEL FOR ONE GDR.					
BAR	NUMBER	SIZE	TYPE	LENGTH	WEIGHT
S1	111	#5	1	4'-11"	569
S2	111	#5	1	4'-4"	502
S3	20	#6	STR	2'-6"	75
S4	222	#3	2	4'-4"	362
S5	70	#3	3	3'-2"	83
S6	92	#4	STR	3'-8"	225
*S7	20	#5	STR	3'-8"	76
S8	8	#5	STR	16'-0"	134
S9	6	#4	4	8'-4"	33
S10	2	#3	STR	2'-10"	2

* NOTE: S7 BARS SHALL BE BENT BEFORE SHIPMENT, HEAT BENDING SHALL NOT BE ALLOWED



QUANTITIES FOR ONE GIRDER			
GIRDER	REINFORCING STEEL	8,000 PSI CONCRETE	0.6" Ø L.R. STRANDS
	LB.	C.Y.	No.
GIRDER	2,061	15.8	41

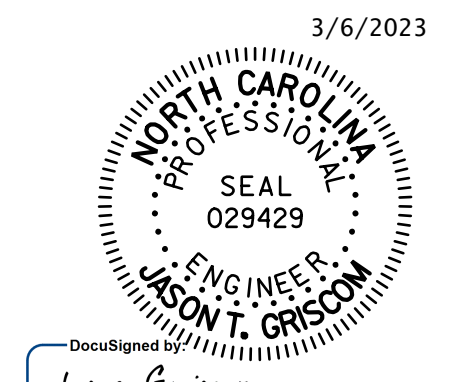
GIRDERS REQUIRED		
NUMBER	LENGTH	TOTAL LENGTH
12	76'-2"	914'-0"

PROJECT NO. B-5808
CABARRUS COUNTY
 STATION: 20+64.00 -L-

SHEET 2 OF 3

STATE OF NORTH CAROLINA
 DEPARTMENT OF TRANSPORTATION
 RALEIGH

36" F.I.B.
 PRESTRESSED
 CONCRETE GIRDER
 SPAN B



STV ENGINEERS, INC.
 900 West Trade St., Suite 715
 Charlotte, NC 28202
 NC License Number F-0991

DOCUMENT NOT CONSIDERED
 FINAL UNLESS ALL
 SIGNATURES COMPLETED

REVISIONS					SHEET NO.
NO.	BY:	DATE:	NO.	BY:	DATE:
1			3		
2			4		
					TOTAL SHEETS 65