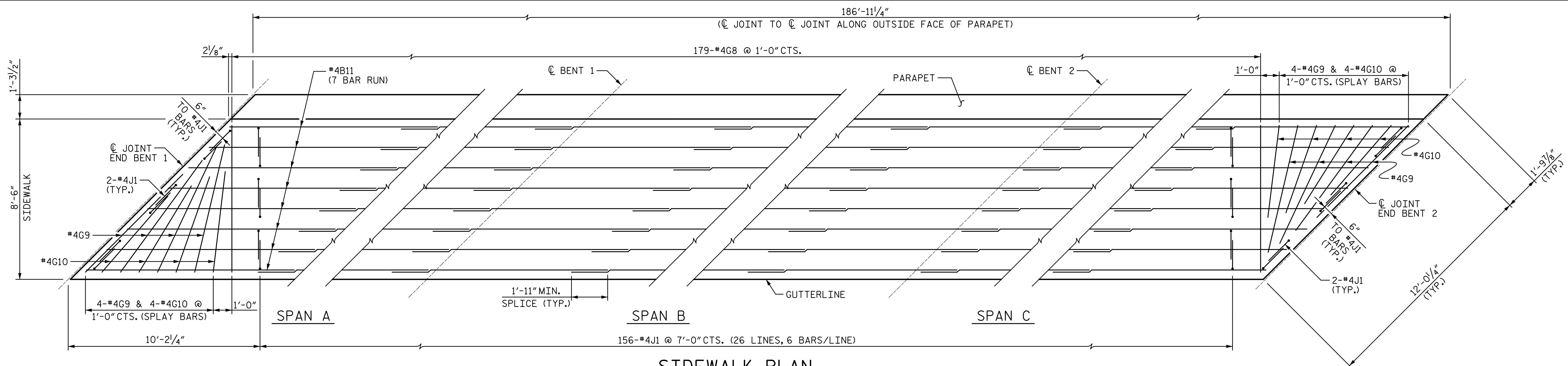


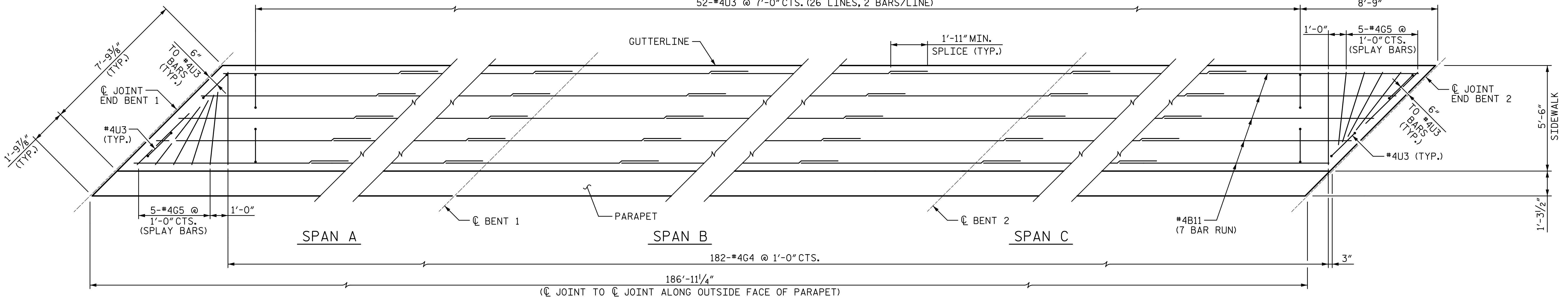
R:\Structures\04_Justation\05 RFC Bridge Plans\401_04_LB5808_SMU_SW_02L20057.dgn 10:36:10 AM 3/6/2023 HensleySG



SIDEWALK PLAN

STAGE 4 - LEFT SIDE

52-#4U3 @ 7'-0" CTS. (26 LINES, 2 BARS/LINE)



SIDEWALK PLAN

STAGE 3 - RIGHT SIDE

182-#4G4 @ 1'-0" CTS.

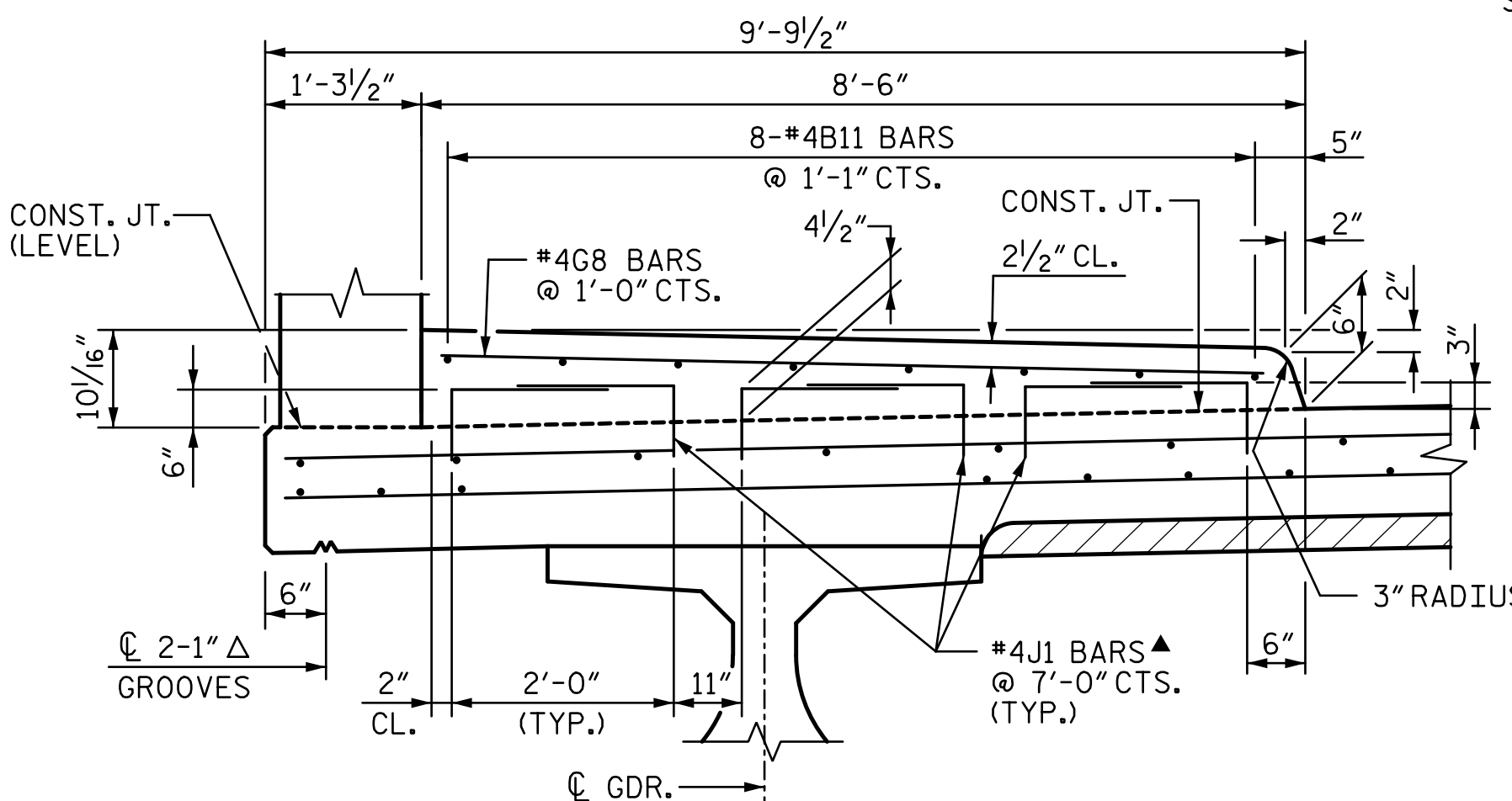
NOTES:

GROOVED CONTRACTION JOINTS, 1/2" IN DEPTH, SHALL BE TOOLED IN ALL EXPOSED FACES OF THE SIDEWALK IN ACCORDANCE WITH ARTICLE 825-10(B) OF THE STANDARD SPECIFICATIONS. THE CONTRACTION JOINT SHALL BE LOCATED AT A SPACING OF 8'-0" TO 10'-0" BETWEEN EXPANSION JOINTS. NO CONTRACTION JOINTS WILL BE REQUIRED FOR SEGMENTS LESS THAN 10'-0" IN LENGTH.

SIDEWALK SHALL NOT BE CAST UNTIL ALL SLAB CONCRETE HAS BEEN CAST AND ATTAINED A MINIMUM COMPRESSIVE STRENGTH OF 3,000 PSI.

ALL REINFORCING STEEL IN THE SIDEWALK SHALL BE EPOXY COATED.

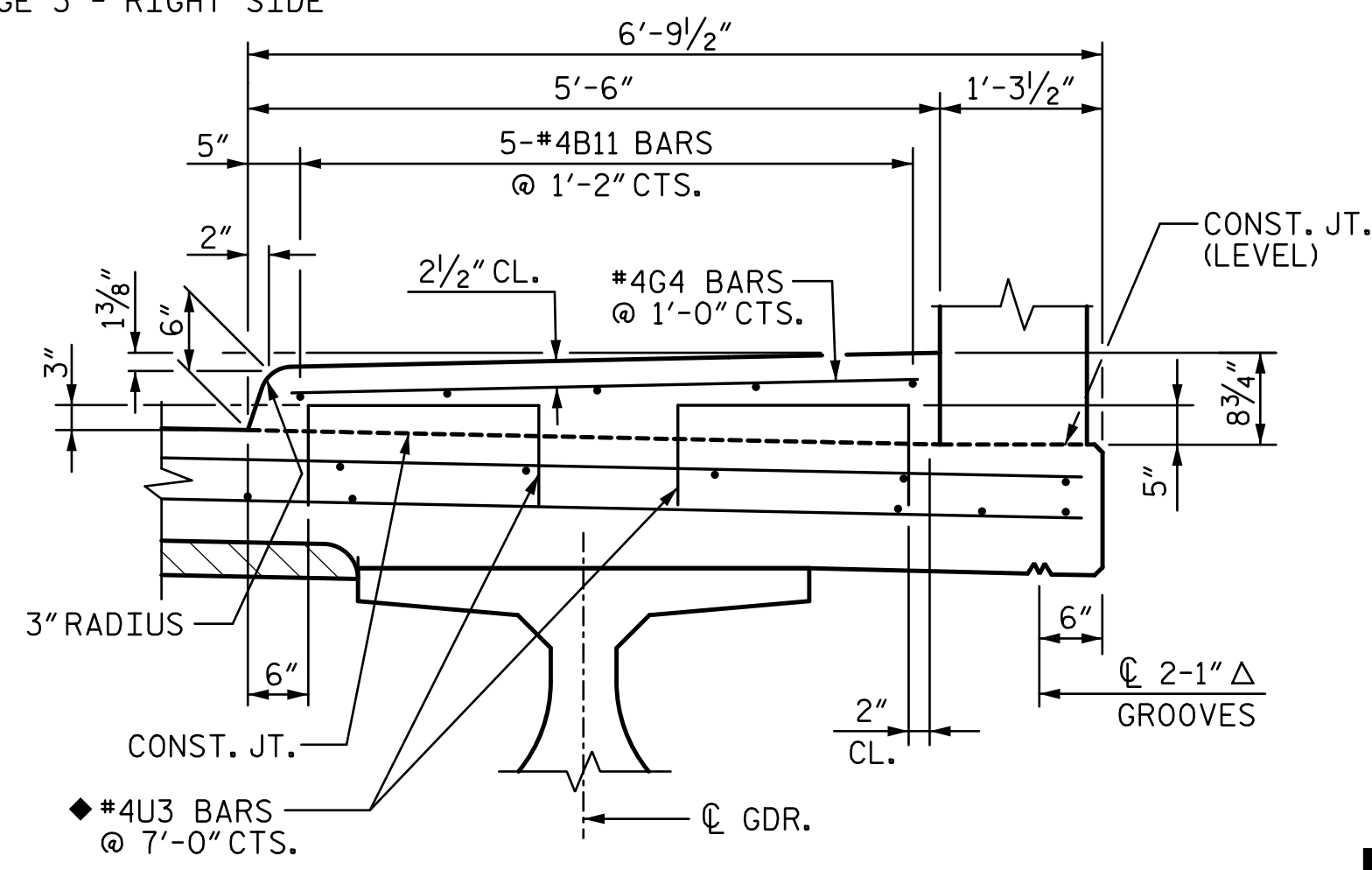
FIELD TESTING OF THE ADHESIVELY ANCHORED DOWELS IS NOT REQUIRED.



SECTION THRU SIDEWALK LEFT SIDE

STAGE 4

▲ #4J1 SHALL BE ADHESIVELY ANCHORED INTO DECK. (LEFT SIDE ONLY)

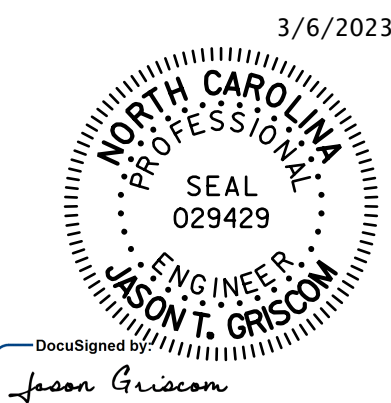


SECTION THRU SIDEWALK RIGHT SIDE

STAGE 3

◆ #4U3 BARS MAY BE PUSHED INTO GREEN CONCRETE AFTER SPAN HAS BEEN SCREEDED OFF. (RIGHT SIDE ONLY)

PROJECT NO. **B-5808**
 CABARRUS COUNTY
 STATION: **20+64.00 -L-**



STV ENGINEERS, INC.
 100 900 West Trade St., Suite 715
 Charlotte, NC 28202
 NC License Number F-0991

DOCUMENT NOT CONSIDERED FINAL UNLESS ALL SIGNATURES COMPLETED

STATE OF NORTH CAROLINA DEPARTMENT OF TRANSPORTATION RALEIGH					
SIDEWALK DETAILS					
REVISIONS					SHEET NO.
NO.	BY:	DATE:	NO.	BY:	DATE:
1			3		
2			4		
					S-21
					TOTAL SHEETS 65