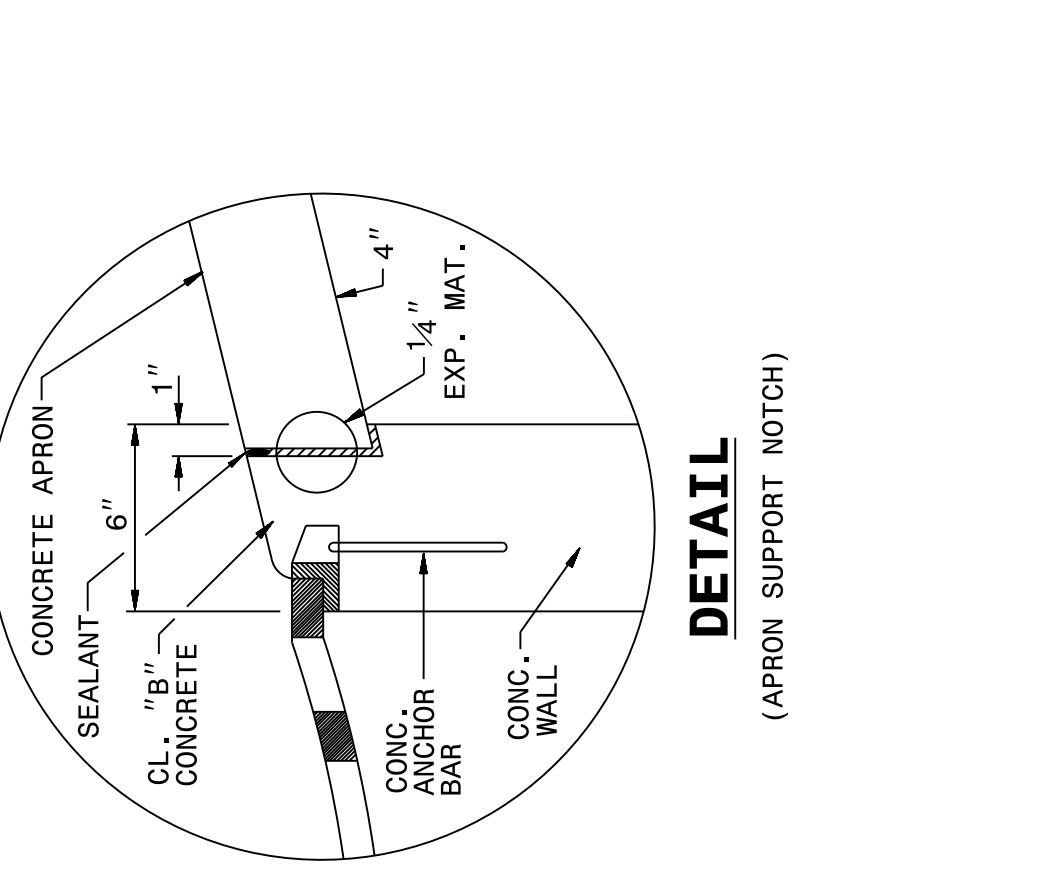
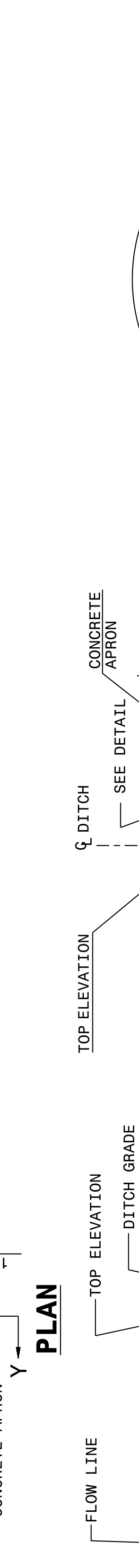
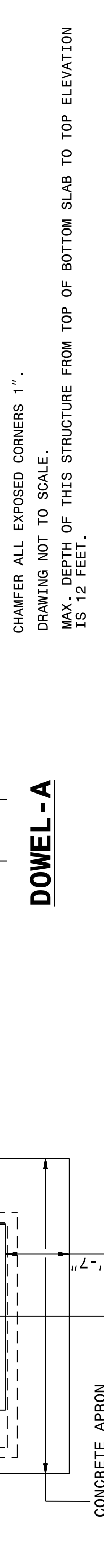
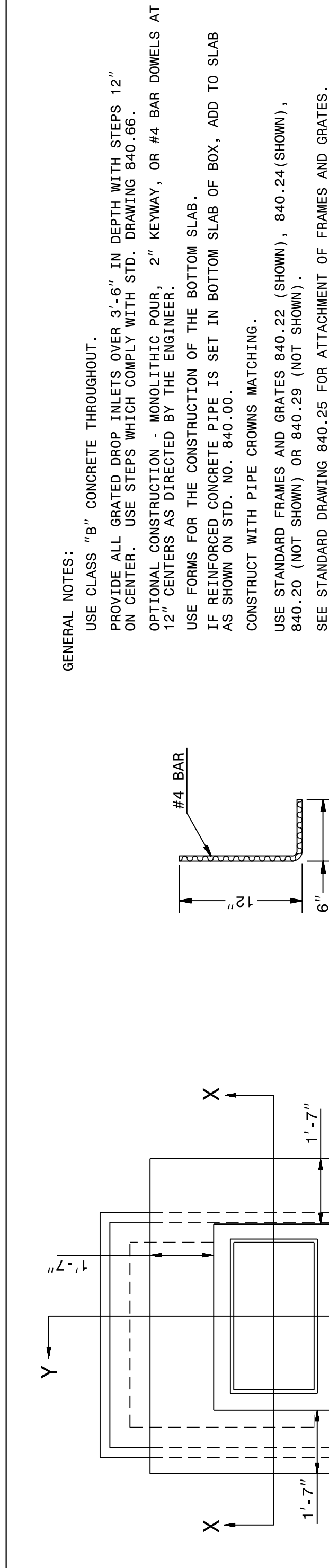


STATE OF
NORTH CAROLINA
DEPT. OF TRANSPORTATION
DIVISION OF HIGHWAYS
RALEIGH, N.C.

ENGLISH DETAIL DRAWING FOR
CONCRETE GRATED DROP INLET TYPE 'A'
MINIMUM DEPTH
12" THRU 72" PIPE

SHEET 1 OF 2
840d17

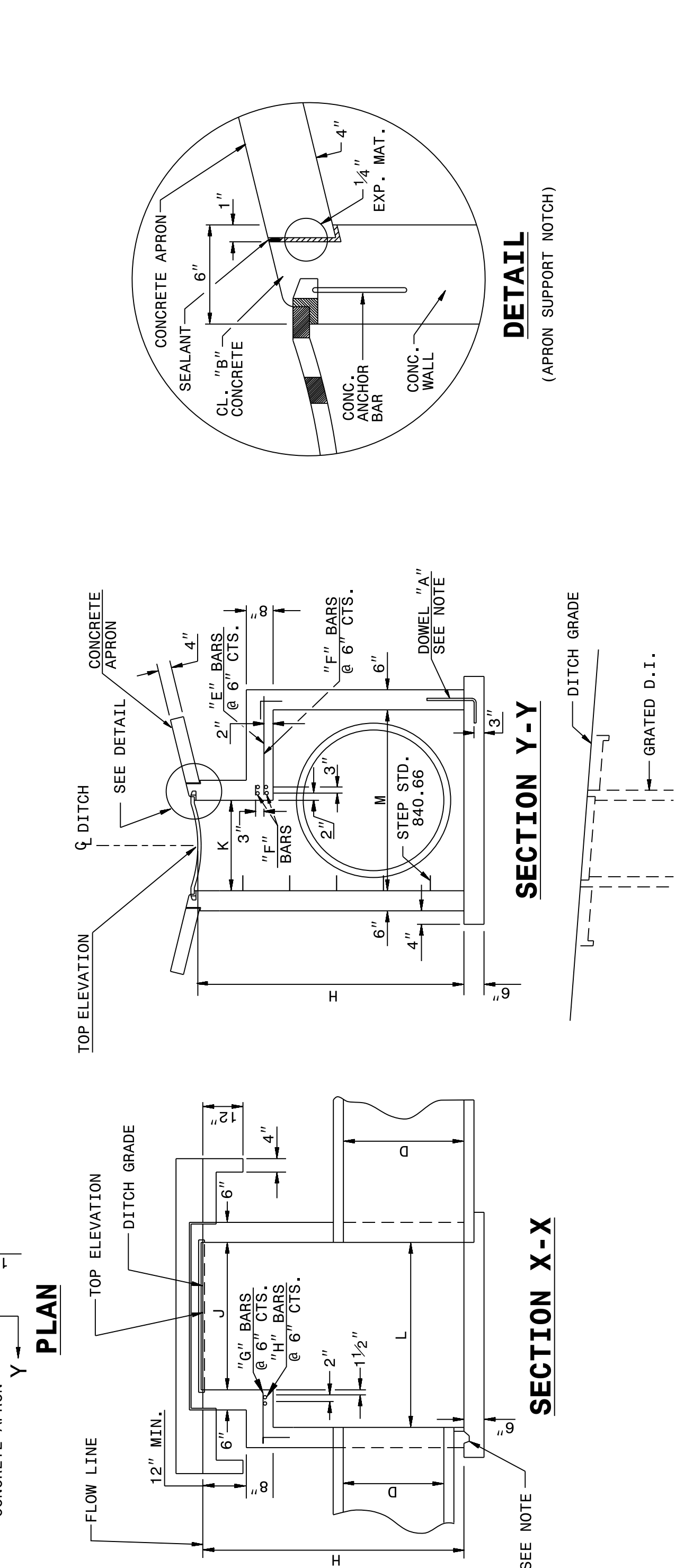


STATE OF
NORTH CAROLINA
DEPT. OF TRANSPORTATION
DIVISION OF HIGHWAYS
RALEIGH, N.C.

ENGLISH DETAIL DRAWING FOR
CONCRETE GRATED DROP INLET TYPE 'A'
MINIMUM DEPTH
12" THRU 72" PIPE

SHEET 1 OF 2
840d17

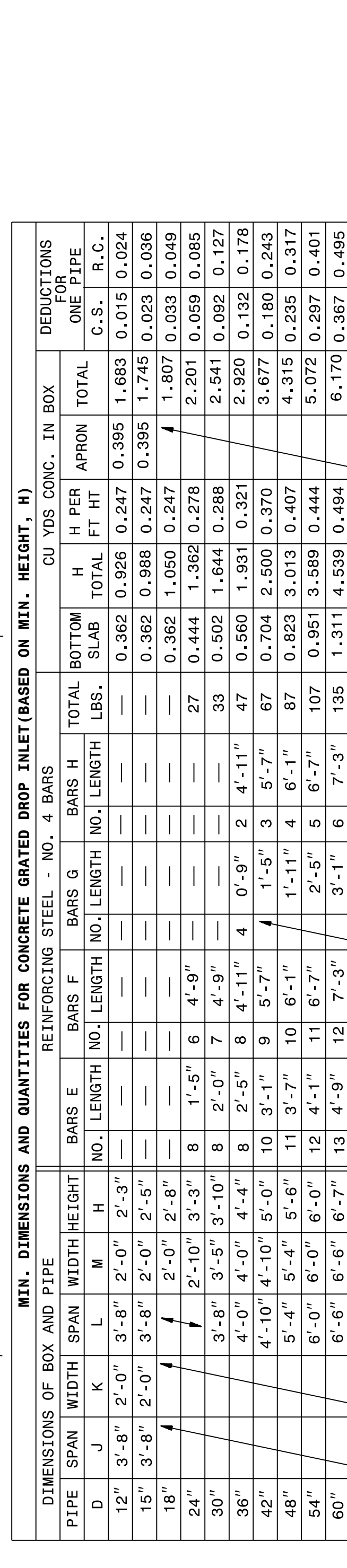
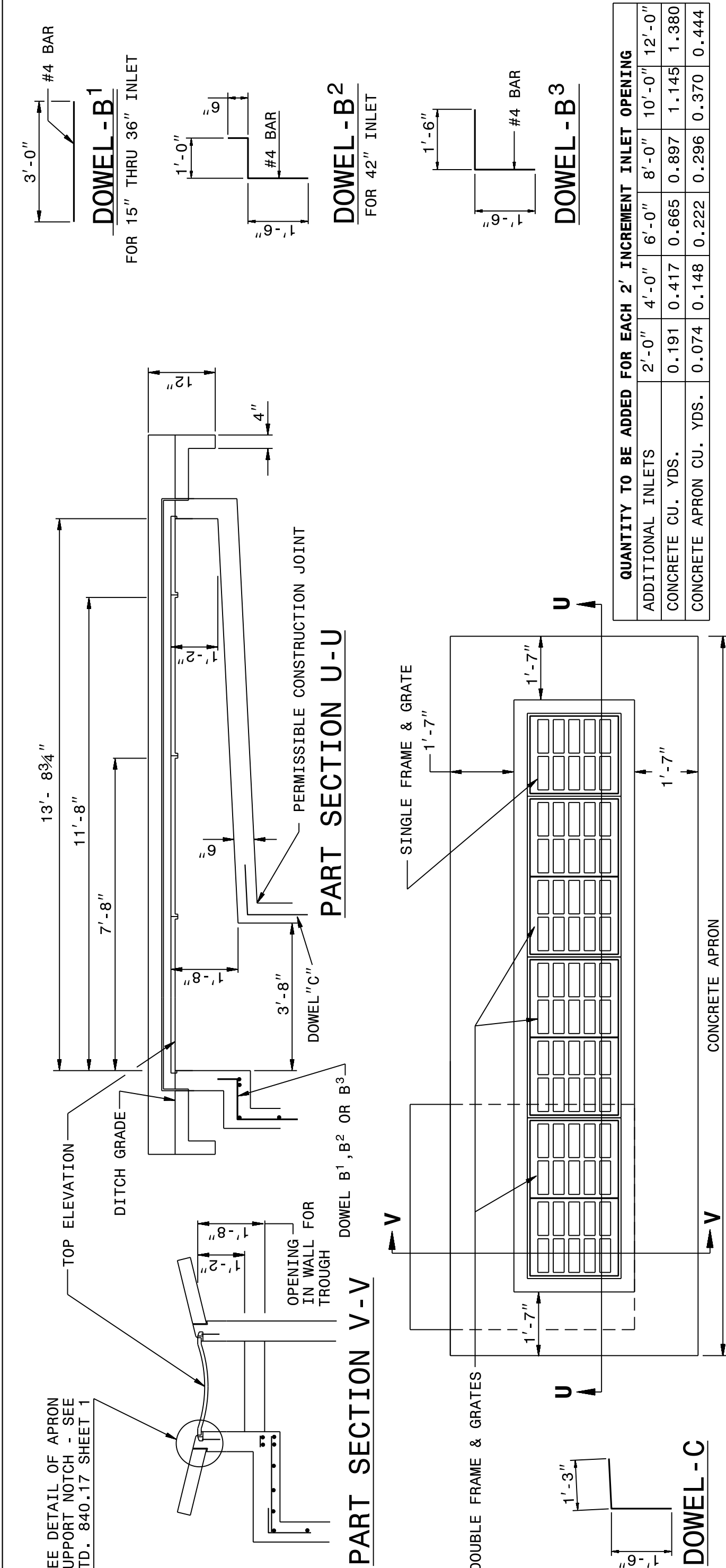
GENERAL NOTES:
USE CLASS "B" CONCRETE THROUGHOUT.
PROVIDE ALL GRATED DROP INLETS OVER 3'-6" IN DEPTH WITH STEPS 12" ON CENTER. USE STEPS WHICH COMPLY WITH STD. DRAWING 840.66.
OPTIONAL CONSTRUCTION - MONOLITHIC POUR, 2" KEYWAY, OR #4 BAR DOWELS AT 12" CENTERS AS DIRECTED BY THE ENGINEER.
USE FORMS FOR THE CONSTRUCTION OF THE BOTTOM SLAB.
IF REINFORCED CONCRETE PIPE IS SET IN BOTTOM SLAB OF BOX, ADD TO SLAB AS SHOWN ON STD. NO. 840.00.
CONSTRUCT WITH PIPE CROWNS MATCHING.
USE STANDARD FRAMES AND GRATES 840.22 (SHOWN), 840.24 (SHOWN), 840.20 (NOT SHOWN) OR 840.29 (NOT SHOWN).
SEE STANDARD DRAWING 840.25 FOR ATTACHMENT OF FRAMES AND GRATES.
CHAMFER ALL EXPOSED CORNERS 1".
DRAWING NOT TO SCALE.
MAX. DEPTH OF THIS STRUCTURE FROM TOP OF BOTTOM SLAB TO TOP ELEVATION IS 12 FEET.



STATE OF
NORTH CAROLINA
DEPT. OF TRANSPORTATION
DIVISION OF HIGHWAYS
RALEIGH, N.C.

ENGLISH DETAIL DRAWING FOR
CONCRETE GRATED DROP INLET TYPE 'A'
MINIMUM DEPTH
12" THRU 72" PIPE

SHEET 2 OF 2
840d17



STATE OF
NORTH CAROLINA
DEPT. OF TRANSPORTATION
DIVISION OF HIGHWAYS
RALEIGH, N.C.

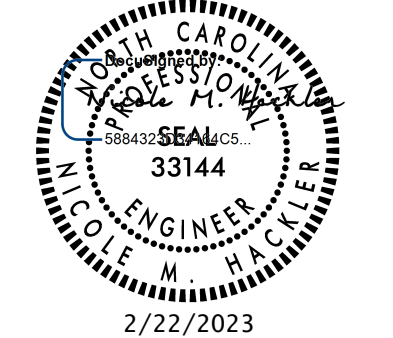
ENGLISH DETAIL DRAWING FOR
CONCRETE GRATED DROP INLET TYPE 'A'
MINIMUM DEPTH
12" THRU 72" PIPE

SHEET 2 OF 2
840d17

QUANTITY TO BE ADDED FOR EACH 2' INCREMENT INLET OPENING

ADDITIONAL INLETS	2'-0"	4'-0"	6'-0"	8'-0"	10'-0"	12'-0"
CONCRETE CU. YDS.	0.191	0.417	0.665	0.897	1.145	1.380
CONCRETE APRON CU. YDS.	0.074	0.148	0.222	0.296	0.370	0.444

PIPE	DIMENSIONS OF BOX AND PIPE		REINFORCING STEEL - NO. 4 BARS				MIN. DIMENSIONS AND QUANTITIES FOR CONCRETE GRATED DROP INLET (BASED ON MIN. HEIGHT, H)		CU YDS CONC. IN BOX		DEDUCTIONS FOR ONE PIPE					
	SPAN	WIDTH	NO.	LENGTH	NO.	LENGTH	BARS H	TOTAL	APRON	TOTAL	C.S.	R.C.				
12"	3'-8"	2'-0"	2'-0"	2'-3"	—	—	—	0.362	0.926	0.247	0.395	1.683	0.015	0.024		
15"	3'-8"	2'-0"	2'-0"	2'-5"	—	—	—	0.362	0.988	0.247	0.395	1.745	0.023	0.036		
18"	—	—	2'-0"	2'-8"	—	—	—	0.362	1.050	0.247	0.362	1.807	0.033	0.049		
24"	—	—	2'-10"	3'-3"	8	1'-5"	6	4'-9"	—	—	27	0.444	1.362	0.278		
30"	—	—	3'-6"	3'-10"	8	2'-0"	7	4'-9"	—	—	33	0.502	1.644	0.288		
36"	—	—	4'-0"	4'-4"	8	2'-5"	8	4'-11"	4	0'-9"	2	4'-11"	47	0.560	1.931	0.321
42"	—	—	4'-10"	5'-0"	10	3'-1"	9	5'-7"	3	5'-7"	67	0.704	2.500	0.370		
48"	—	—	5'-4"	5'-6"	11	3'-7"	10	6'-1"	4	6'-1"	87	0.823	3.013	0.407		
54"	—	—	6'-0"	6'-7"	12	4'-1"	11	6'-7"	5	6'-7"	107	0.951	3.589	0.444		
60"	—	—	6'-6"	6'-7"	13	4'-9"	12	7'-3"	6	7'-3"	135	1.311	4.539	0.494		
66"	—	—	7'-2"	7'-1"	14	5'-4"	14	7'-10"	7	7'-10"	168	1.136	5.061	0.537		
72"	—	—	7'-8"	7'-8"	15	5'-11"	15	8'-5"	4	4'-3"	199	1.500	5.860	0.580		



CONTRACT STANDARDS
AND DEVELOPMENT UNIT
Office 919-707-6950 FAX 919-250-4119

SEE TITLE BLOCK

ORIGINAL BY: J. Howerton DATE: 1/22/14
MODIFIED BY: DATE:
CHECKED BY: DATE:
FILE SPEC.: jhowerton\minimum_depth_type A.dgn

DOCUMENT NOT CONSIDERED FINAL
UNLESS ALL SIGNATURES COMPLETED