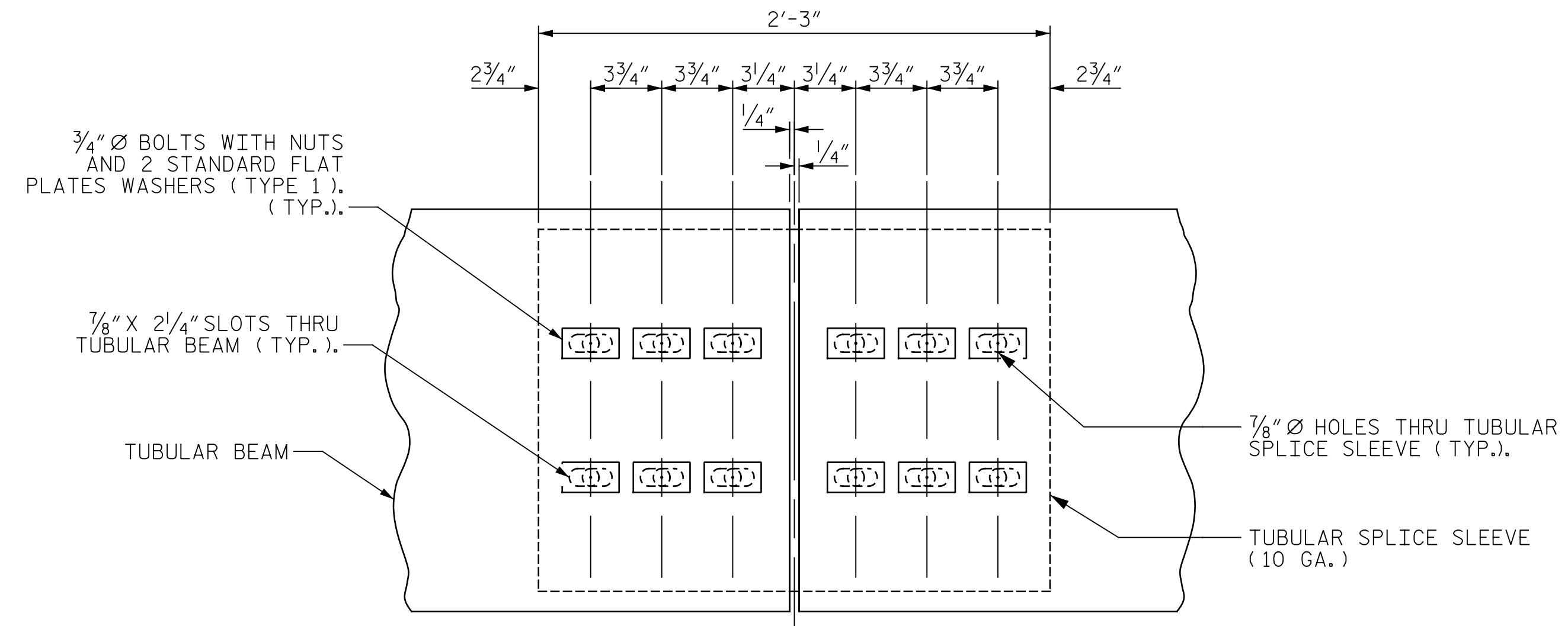
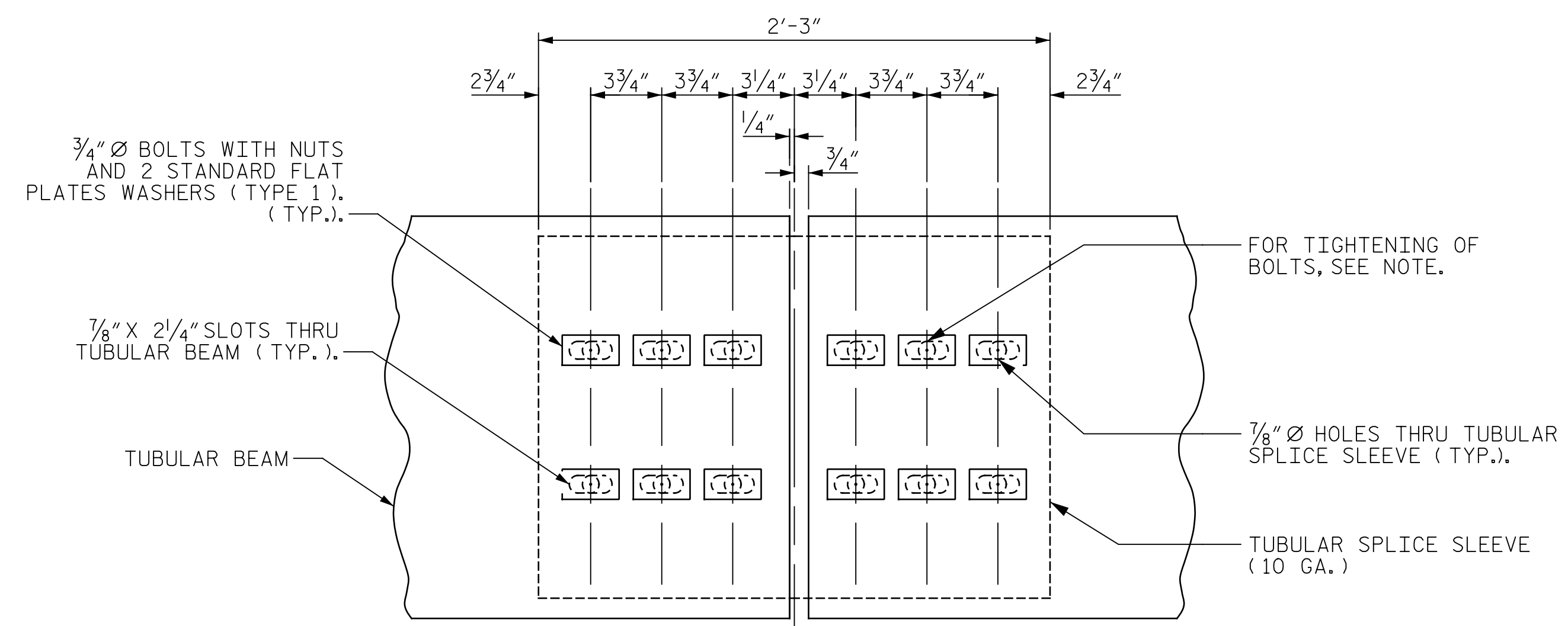


p:\gfn\p-w\benfley.com\gfn\p-w-01\Documents\Projects\67945\5-Work\King\Task 005 - I-5889B Rehab\Structures\CAD\2.0 100% Plans\407_007_I-5889B_SMU_GUARDRAIL RETROFIT04
 7/25/2022 10:35:15 AM pdf_color_gfctt_FS.plt I-5889B.Tbl

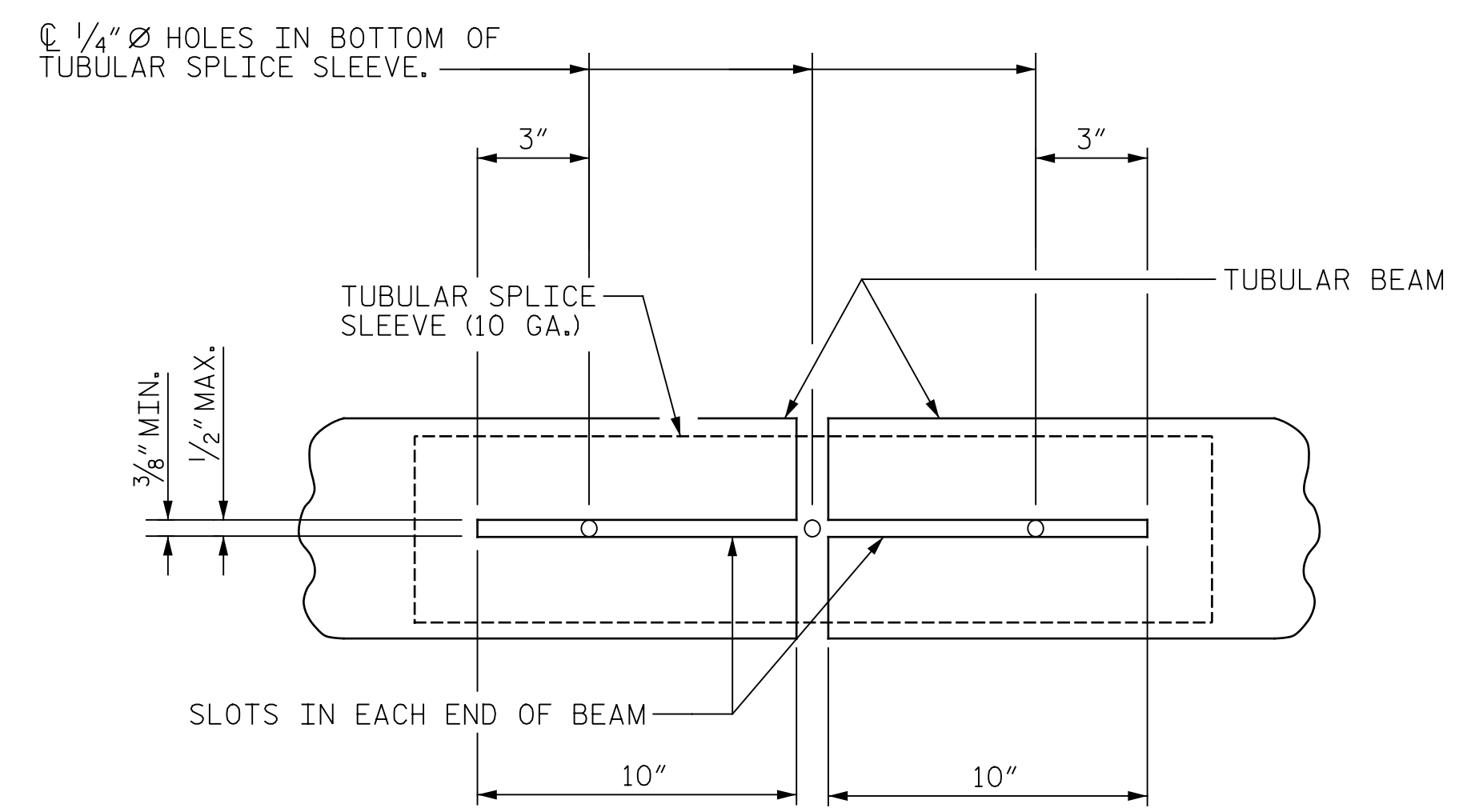


FIXED SPLICE BETWEEN POST (TYPE 1)
TUBULAR BEAM SPLICE

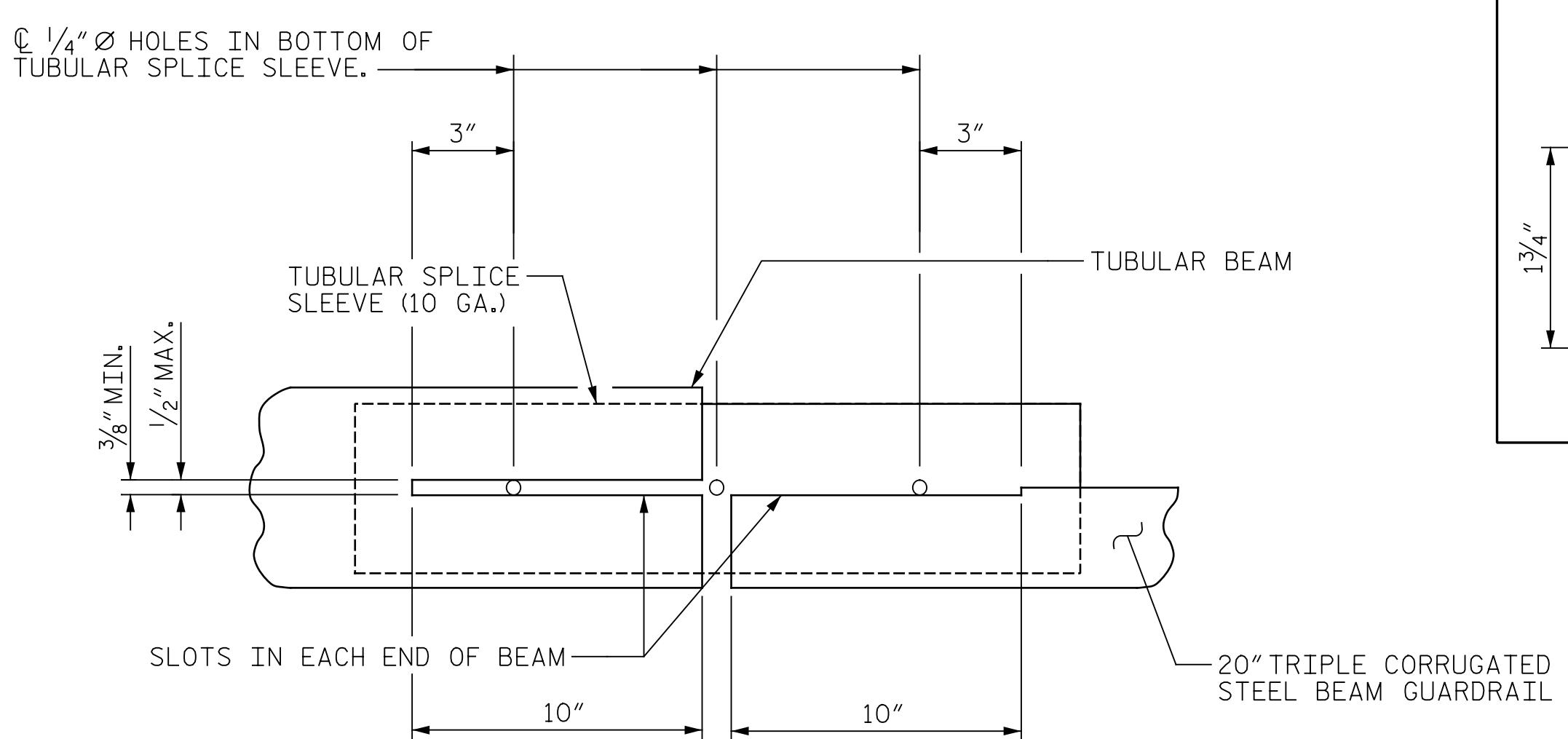


EXPANSION SPLICE BETWEEN POST (TYPE 1)
TUBULAR BEAM SPLICE

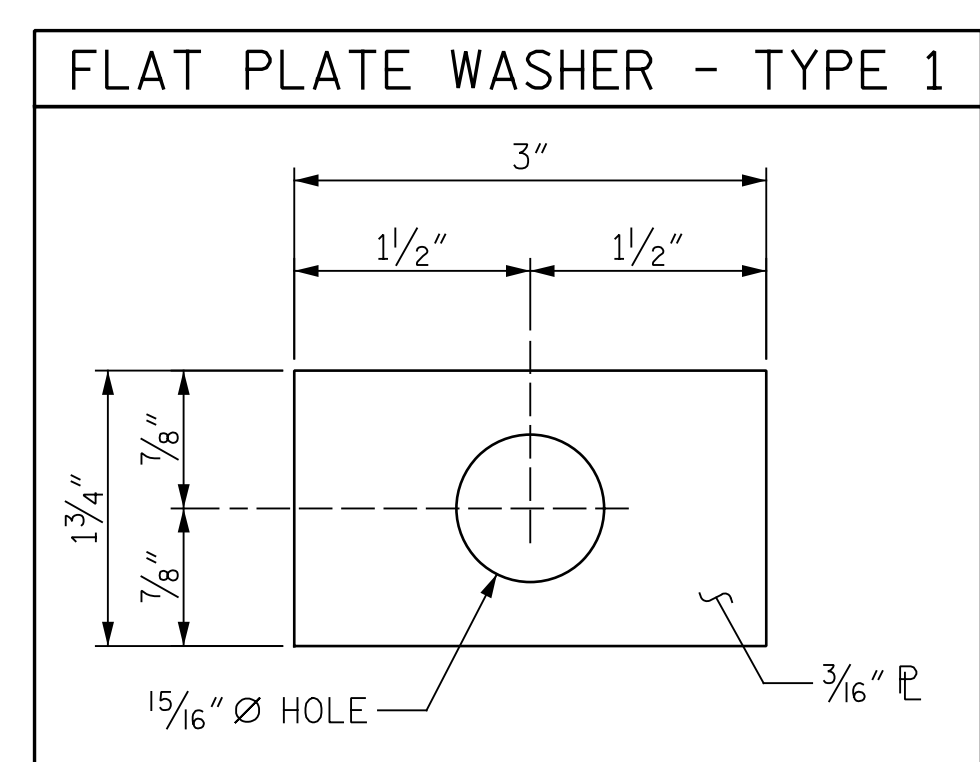
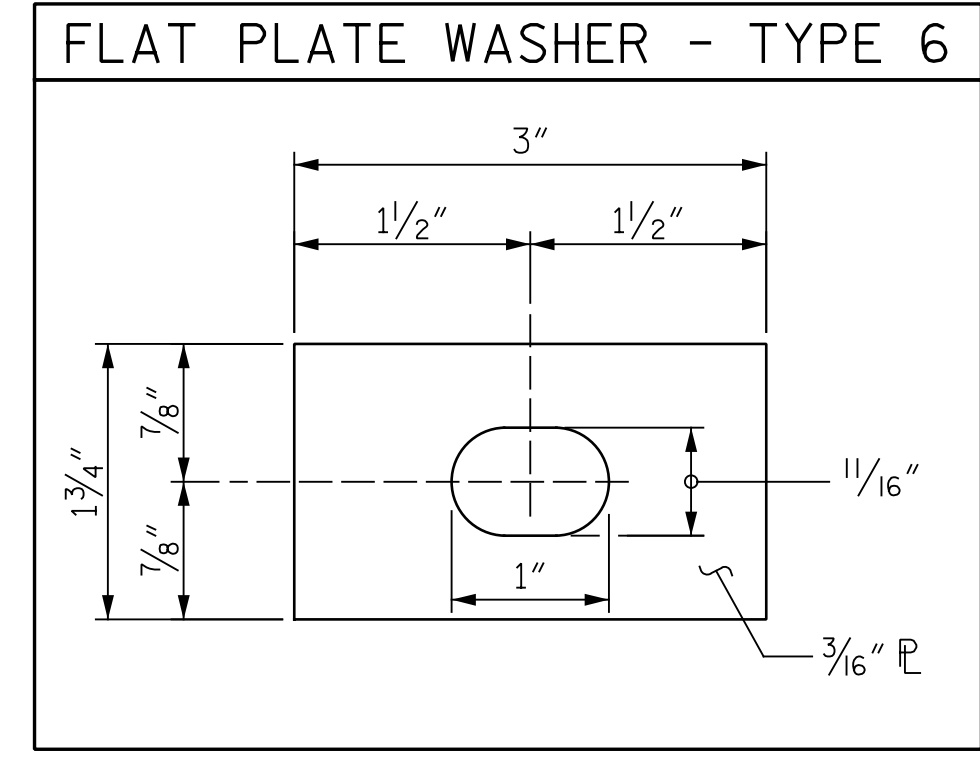
NOTE:
 BOLTS ON EXPANSION SIDE OF TUBULAR BEAM SPLICE SHALL BE TIGHTENED FINGER TIGHT. DOUBLE NUTS SHALL BE USED AND TIGHTENED AGAINST EACH OTHER TO PREVENT THE NUTS FROM BECOMING LOOSE ON THE BOLT.



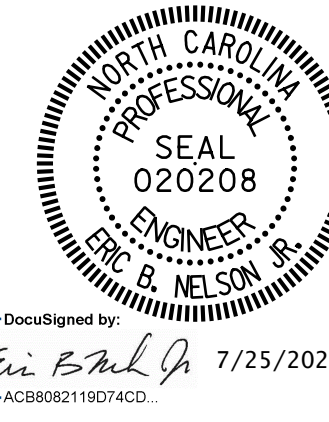
BOTTOM VIEW OF TUBULAR BEAM SPLICE



BOTTOM VIEW OF TUBULAR AND 20" TRIPLE CORRUGATED STEEL BEAM SPLICE



PROJECT NO. I-5889B
BUNCOMBE COUNTY
 BRIDGE NO. 100334, 100339, 100344,
100347, 100352 & 100356
 SHEET 4 OF 4



STATE OF NORTH CAROLINA
 DEPARTMENT OF TRANSPORTATION
 RALEIGH
TUBULAR BEAM GUARDRAIL DETAILS

DRAWN BY: J. MYA DATE: 6/2022
 CHECKED BY: J. YANNAACONE DATE: 6/2022



DOCUMENT NOT CONSIDERED FINAL UNLESS ALL SIGNATURES COMPLETED

REVISIONS						SHEET NO.
NO.	BY:	DATE:	NO.	BY:	DATE:	SD-4
1			3			TOTAL SHEETS
2			4			129