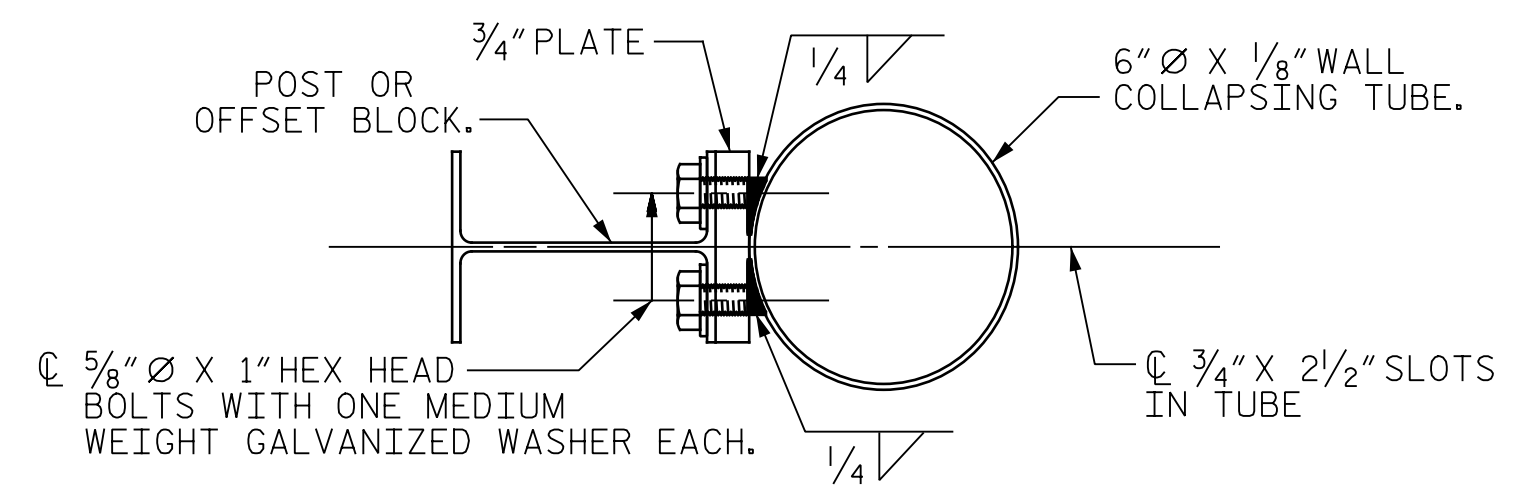
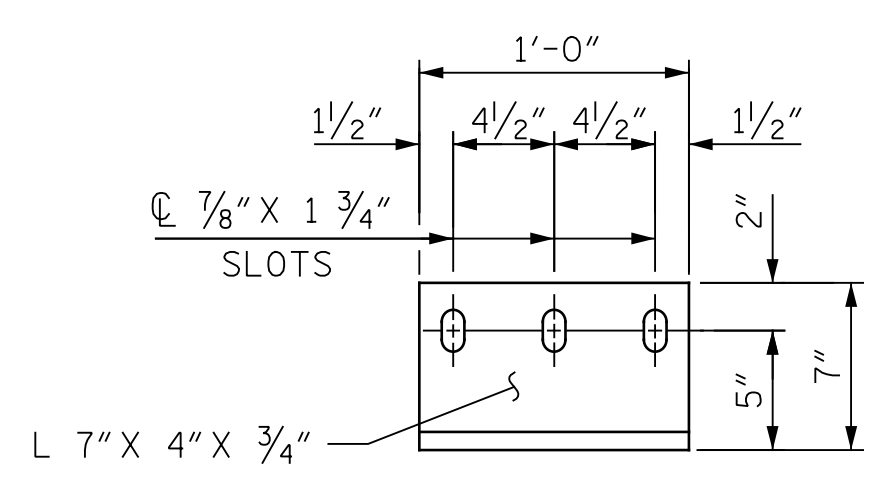


p:\gfn\p-w\benfley.com\gfn\p-w-01\Documents\Projects\67945\5-WorKing\Task 005 - I-5889B Rehab\Structures\CAD\2.0 100% Plans\407_003.I-5889B_SMU_GUARDRAIL RETROFIT02 7/25/2022 10:13:10 AM pdf_color_gfclt_FS.plt I-5889B.Tbl

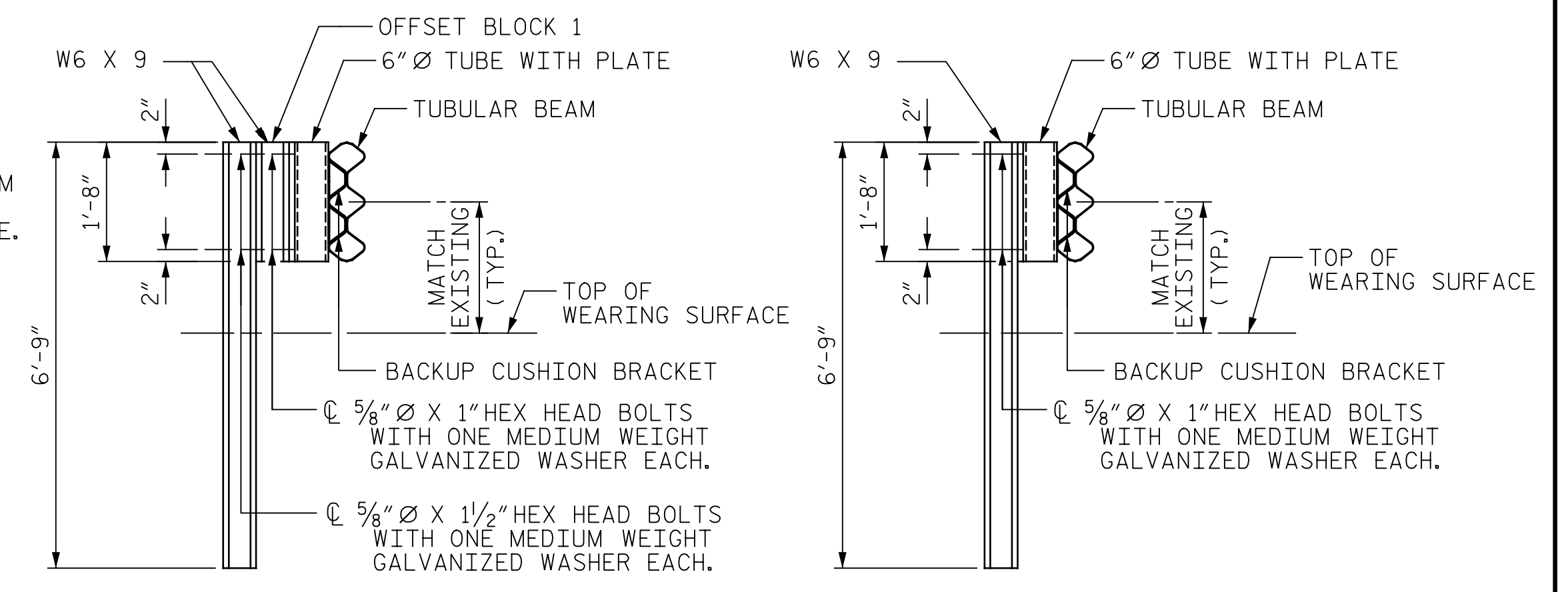


DETAIL SHOWING CONNECTION OF 6" Ø TUBE TO POST OR OFFSET BLOCK



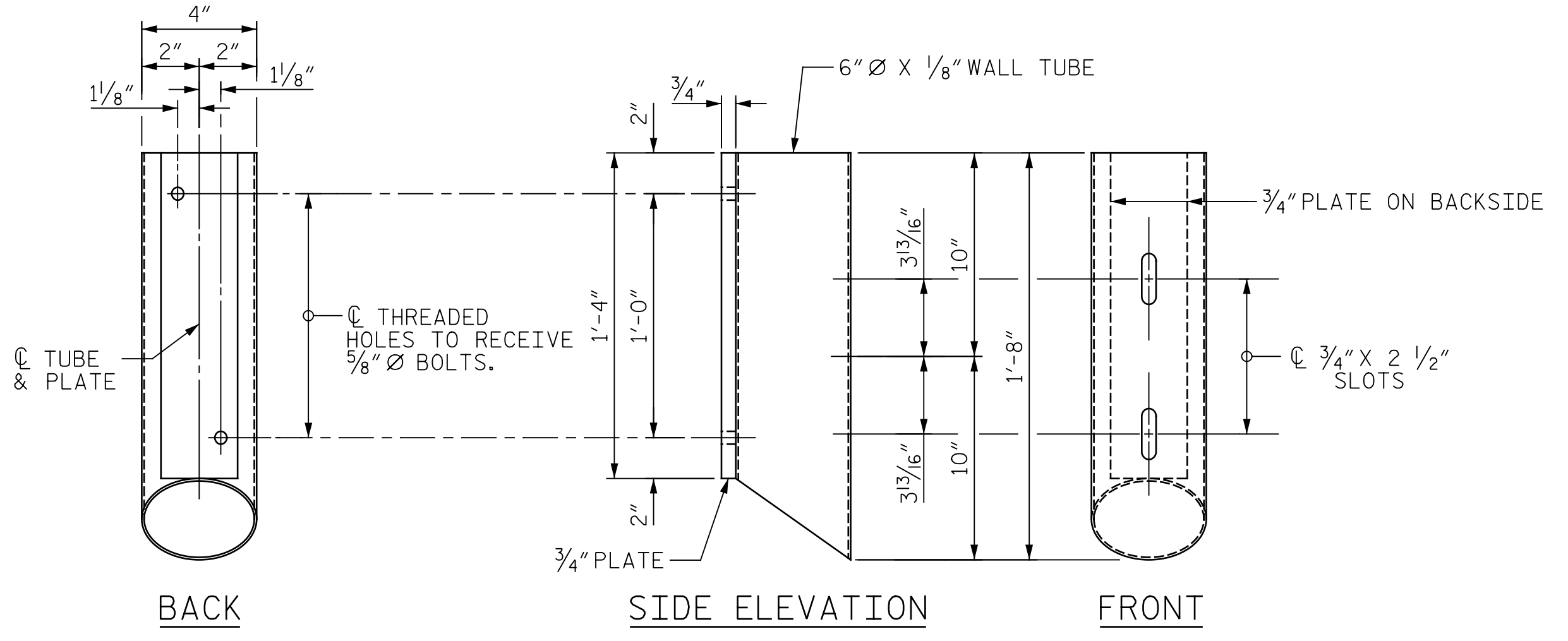
PLAN OF ANGLE

NOTE A: HEIGHT OF POST BP1 (DIMENSION A) SHALL BE DETERMINED IN THE FIELD SO THAT THE DISTANCE BETWEEN THE C OF THE TUBULAR BEAM AND THE TOP OF SLAB OR TOP OF FINISHED DECK SURFACE MATCHES THE EXISTING DISTANCE.
 NOTE B: SLOT TO BE DRILLED ON SIDE OF WEB FACING "ONCOMING TRAFFIC".

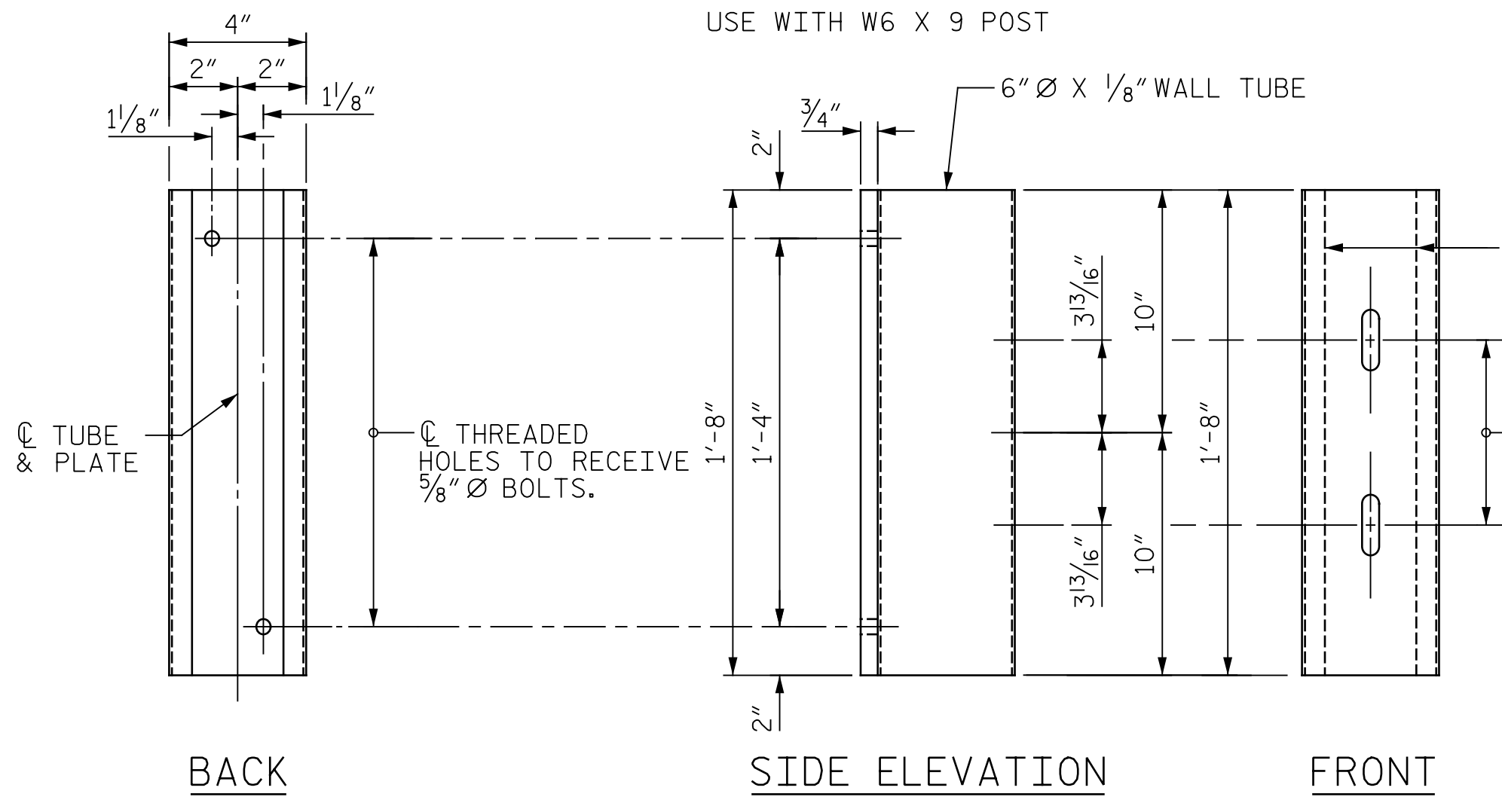


POST "EP1"
(USE AS NEEDED AT END OF BRIDGE)

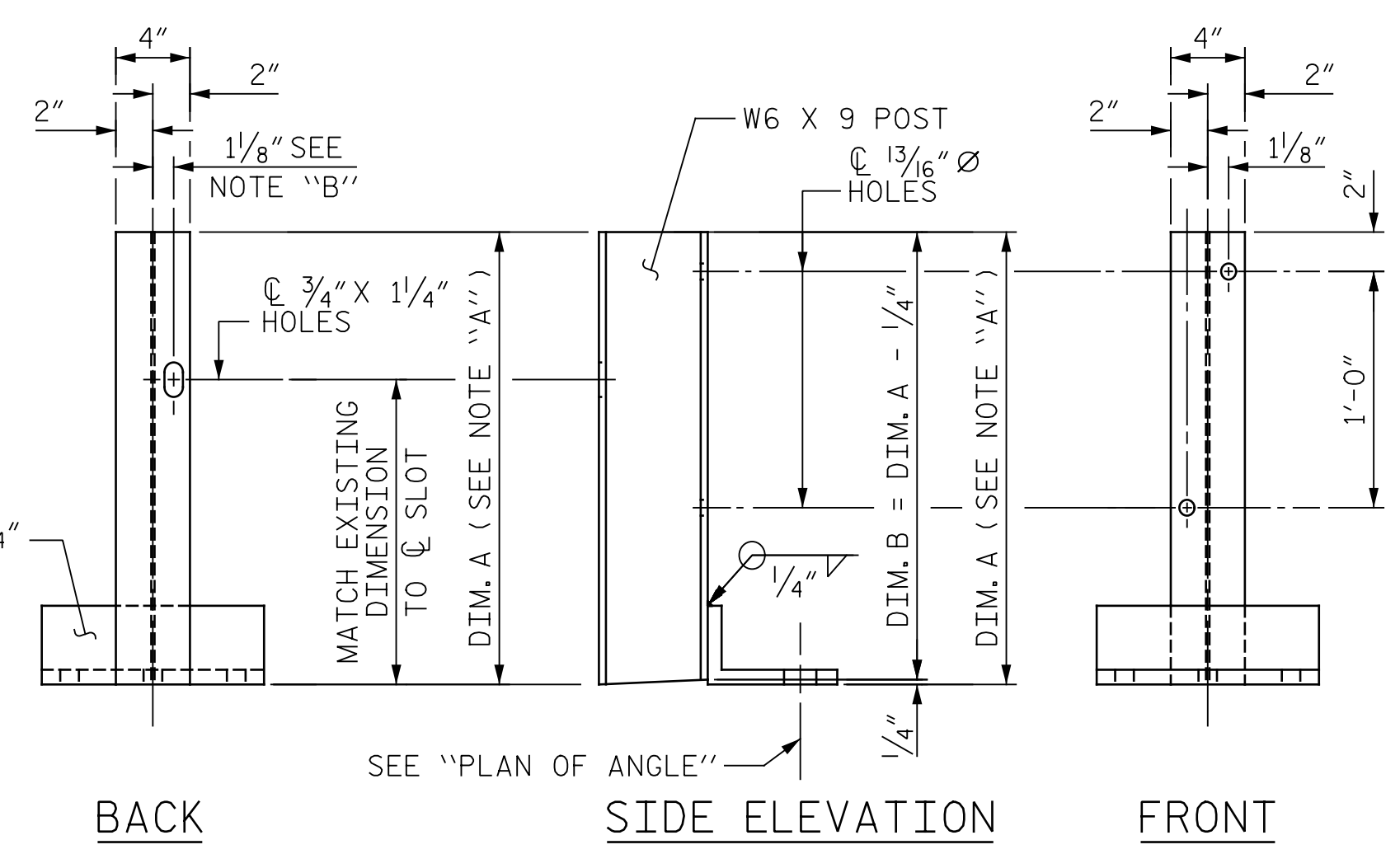
POST "EP2"
(USE AS NEEDED ALONG APPROACH ROADWAY SLAB)



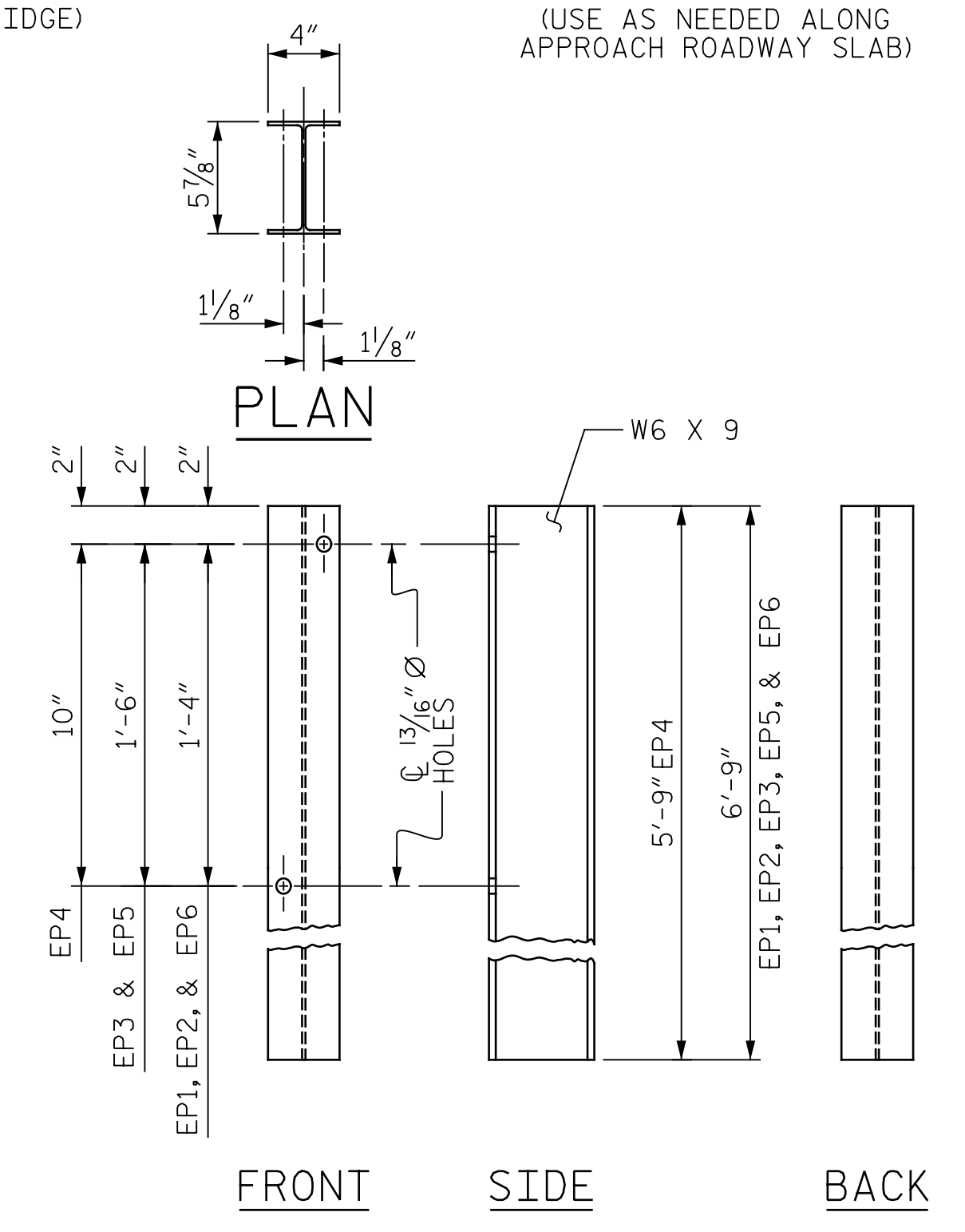
6" Ø TUBE DETAILS
USE WITH W6 X 9 POST



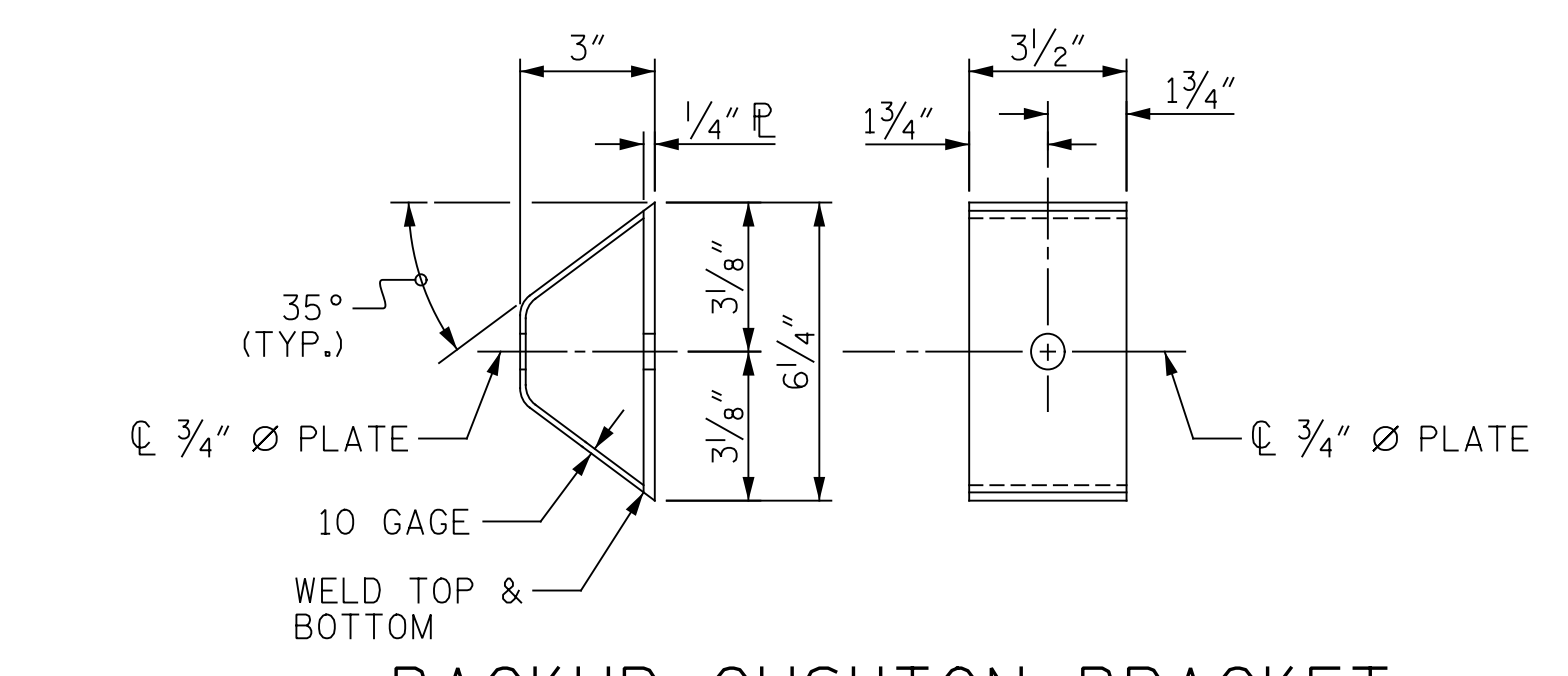
6" Ø TUBE DETAILS
USE WITH POST "EP1 & EP2"



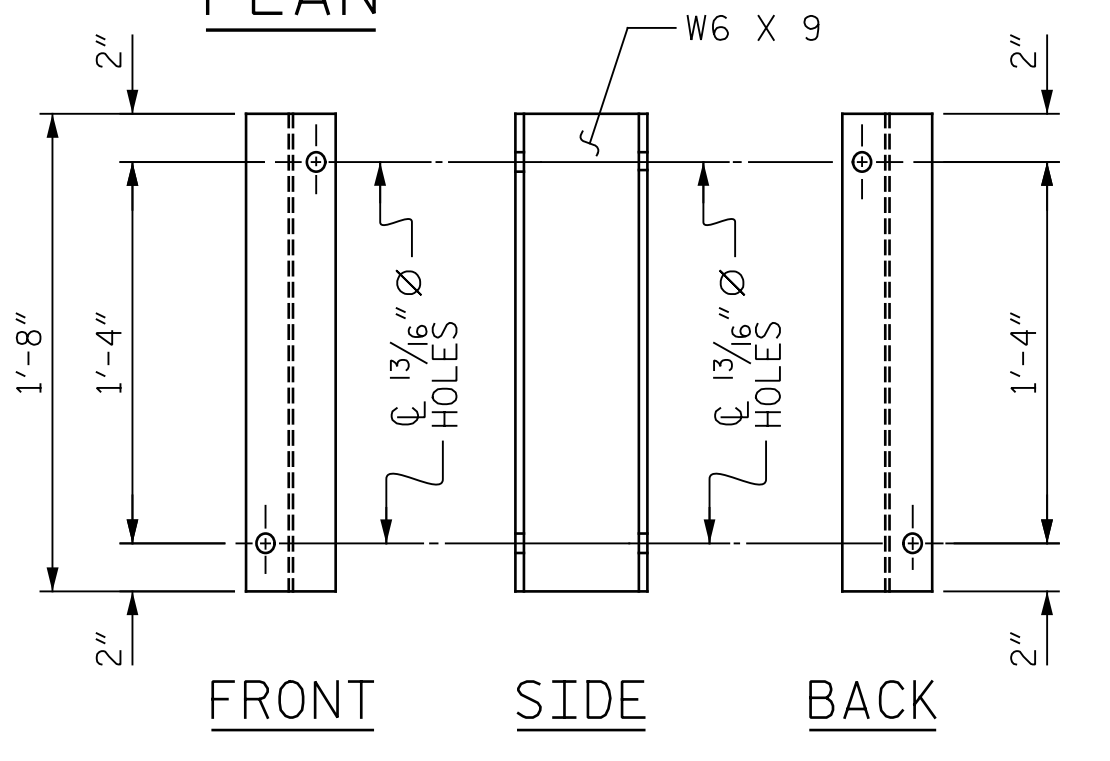
W6 X 9 POST DETAILS



DETAIL OF POST EP1 & EP2



BACKUP CUSHION BRACKET



DETAILS OF OFFSET BLOCK 1
USE WITH POST "EP1"

DRAWN BY: J. MYA DATE: 6/2022
 CHECKED BY: J. YANACCONE DATE: 6/2022



DOCUMENT NOT CONSIDERED FINAL UNLESS ALL SIGNATURES COMPLETED



PROJECT NO. I-5889B
BUNCOMBE COUNTY
 BRIDGE NO. 100334, 100339, 100344
100347, 100352 & 100356
 SHEET 2 OF 4

STATE OF NORTH CAROLINA DEPARTMENT OF TRANSPORTATION RALEIGH					
TUBULAR BEAM GUARDRAIL DETAILS					
SHEET NO. SD-2					
REVISIONS					
NO.	BY:	DATE:	NO.	BY:	DATE:
1			3		
2			4		
					TOTAL SHEETS 129