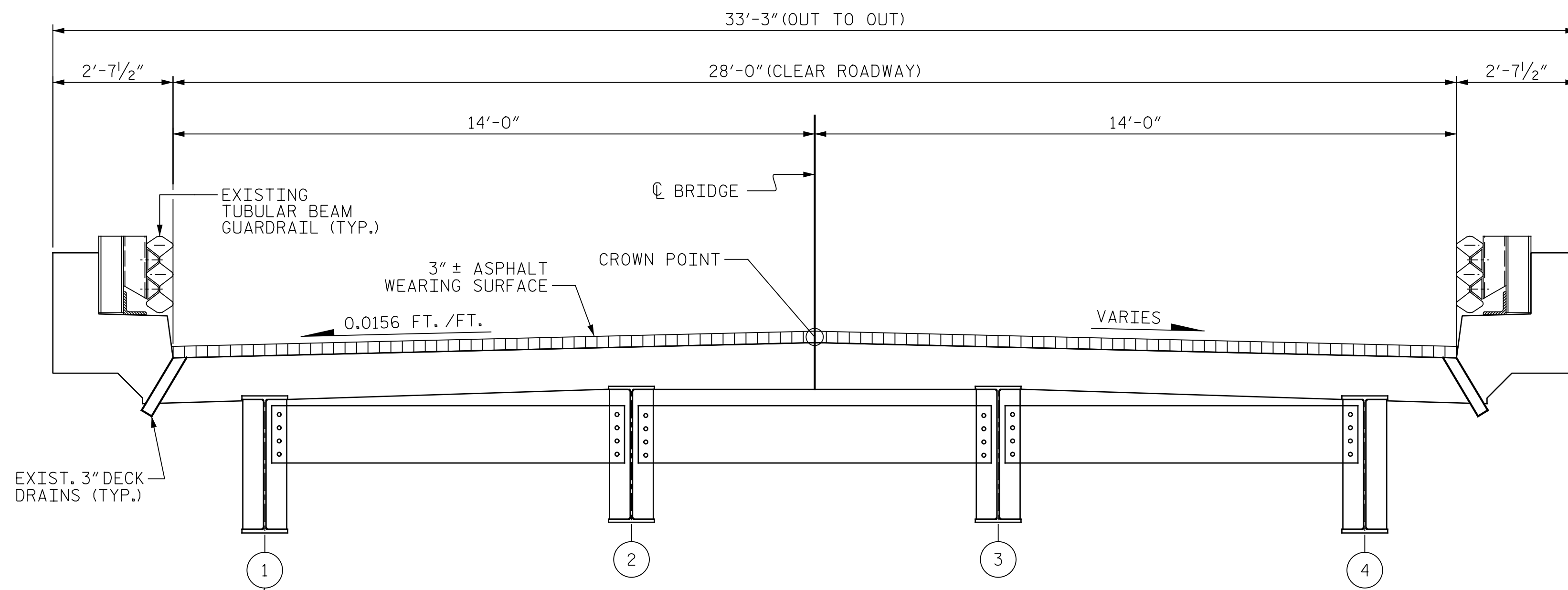
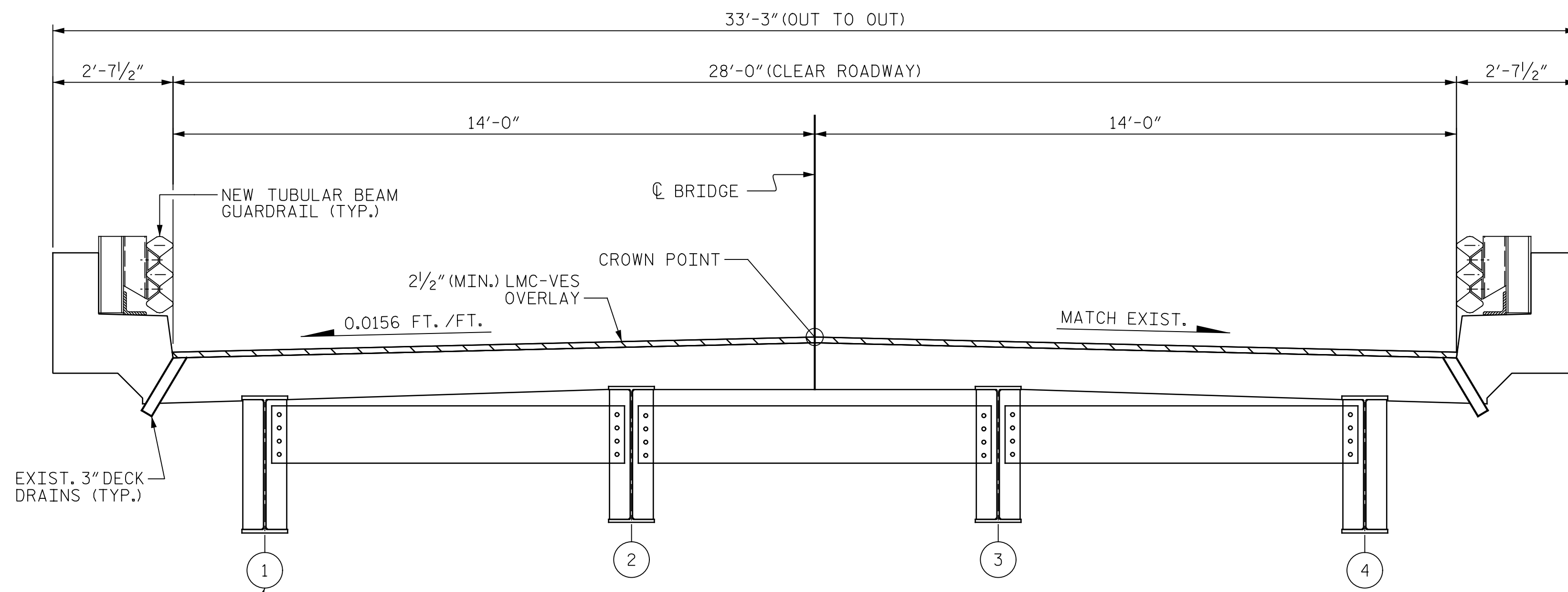


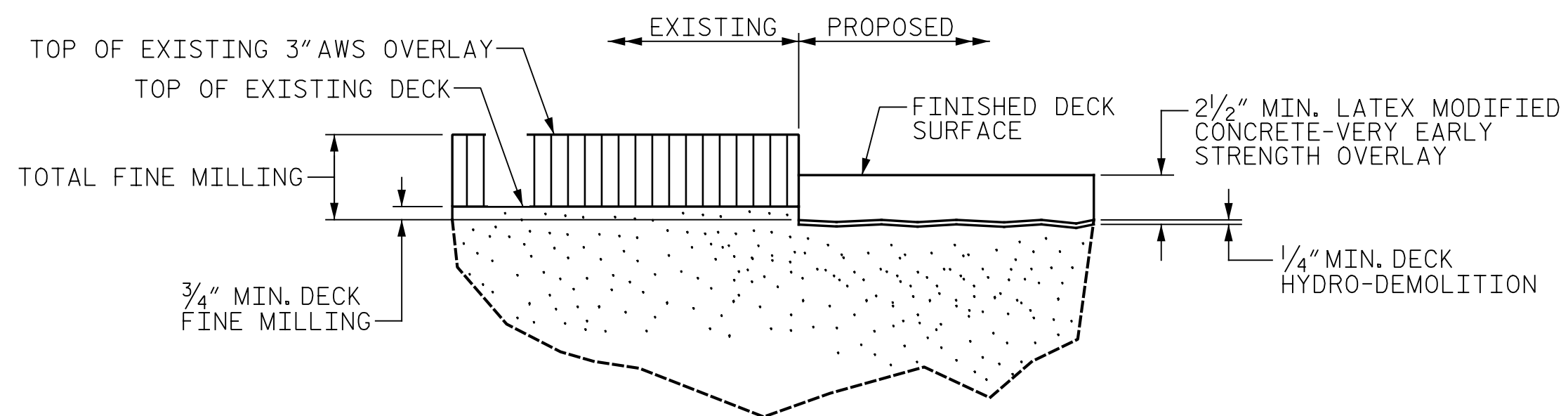
p:\gfn\p-w\benfley.com\gfn\p-w-01\Documents\Projects\67945\5-Work\King\Task 005 - I-5889B Rehab\Structures\CAD\2.0 100% Plans\406_209.I-5889_SMU_TS_003.100356
 7/21/2022 4:03:35 PM pdf_color_gfclt_FS.plt I-5889B.TBI



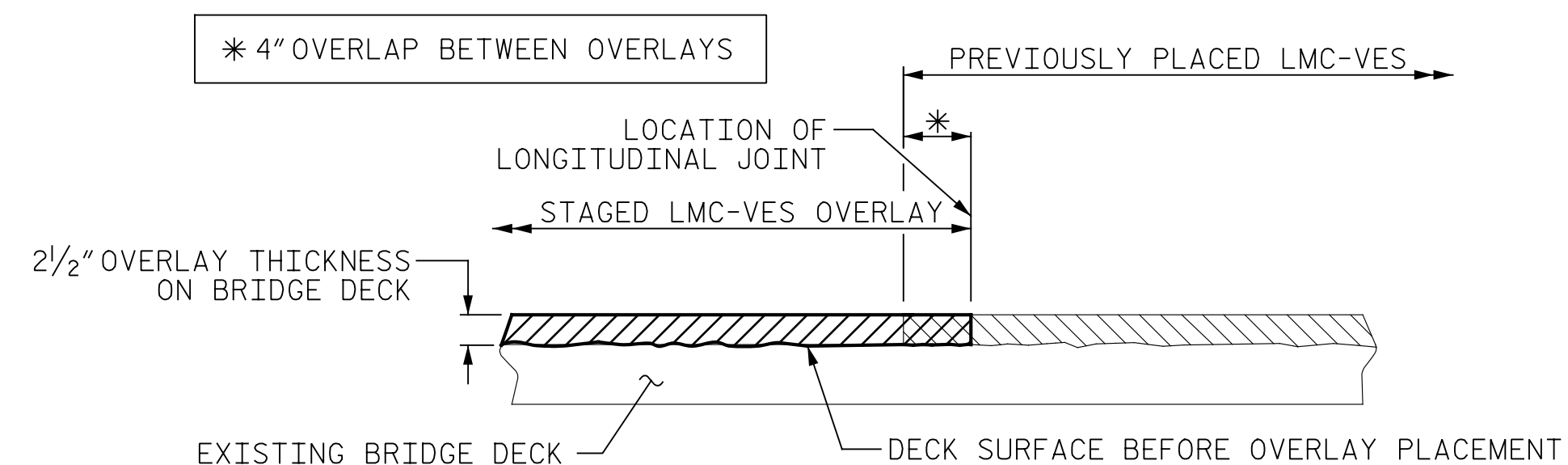
TYPICAL SECTION
(EXISTING)



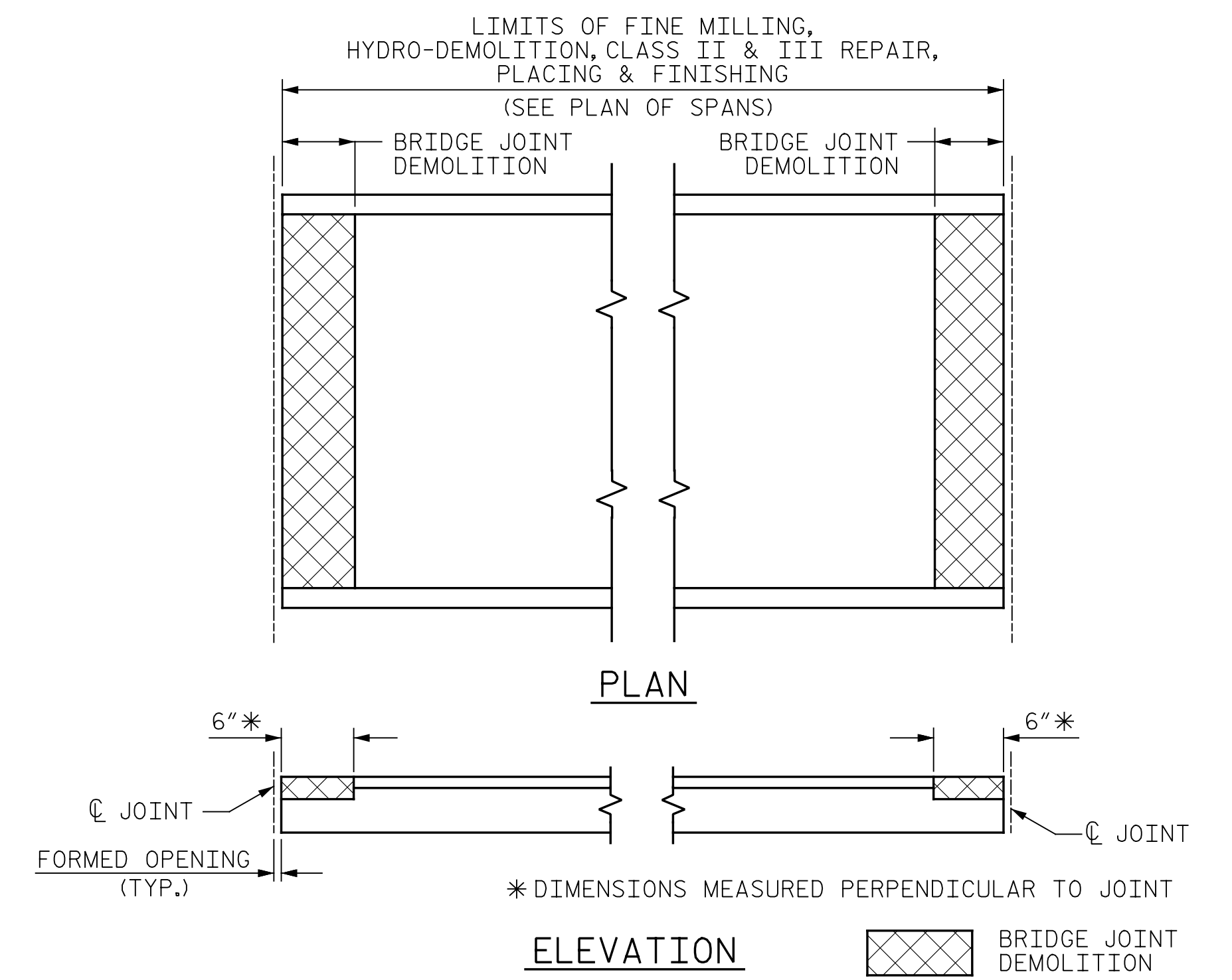
TYPICAL SECTION
(PROPOSED)



DETAIL FOR LMC-VES OVERLAY



SECTION THRU DECK
STAGED LMC-VES OVERLAY JOINT



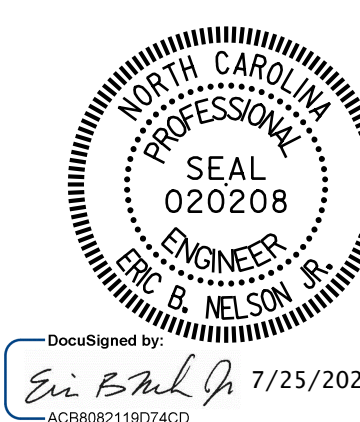
PAY LIMITS FOR OVERLAY BID ITEMS

NOTES:

SEE TRAFFIC MANAGEMENT PLANS FOR LANE WIDTHS, SEQUENCING, AND OTHER TRAFFIC CONTROL MEASURES FOR STAGING OF OVERLAY SURFACE PREPARATION AND LMC PLACEMENT.

WHEN PREPARING THE SURFACE FOR LMC-VES OVERLAY ADJACENT TO A PREVIOUSLY PLACED LMC-VES STAGE, THE PREVIOUSLY PLACED LMC-VES SHALL BE REMOVED FOR A DISTANCE OF 4 INCHES FROM THE LMC-VES EDGE. THE SURFACE OF THE NEW STAGE AREA, ALONG WITH THE 4 INCH OVERLAY AREA, SHALL BE PREPARED AS PER THE OVERLAY SURFACE PREPARATION SPECIAL PROVISIONS. NEW LMC-VES SHALL BE PLACED IN THE 4-INCH OVERLAP, AS PART OF THE NEW LMC-VES STAGE PLACEMENT.

PROJECT NO. I-5889B
BUNCOMBE COUNTY
 BRIDGE NO. 100356



STATE OF NORTH CAROLINA
 DEPARTMENT OF TRANSPORTATION
 RALEIGH
 TYPICAL SECTION AND
 SURFACE PREPARATION
 DETAILS

DRAWN BY: J. HARRIS DATE: 6/2022
 CHECKED BY: J. YANACCONO DATE: 6/2022



DOCUMENT NOT CONSIDERED
 FINAL UNLESS ALL
 SIGNATURES COMPLETED

REVISIONS						SHEET NO.
NO.	BY:	DATE:	NO.	BY:	DATE:	TOTAL SHEETS
1			3			S6-3
2			4			133