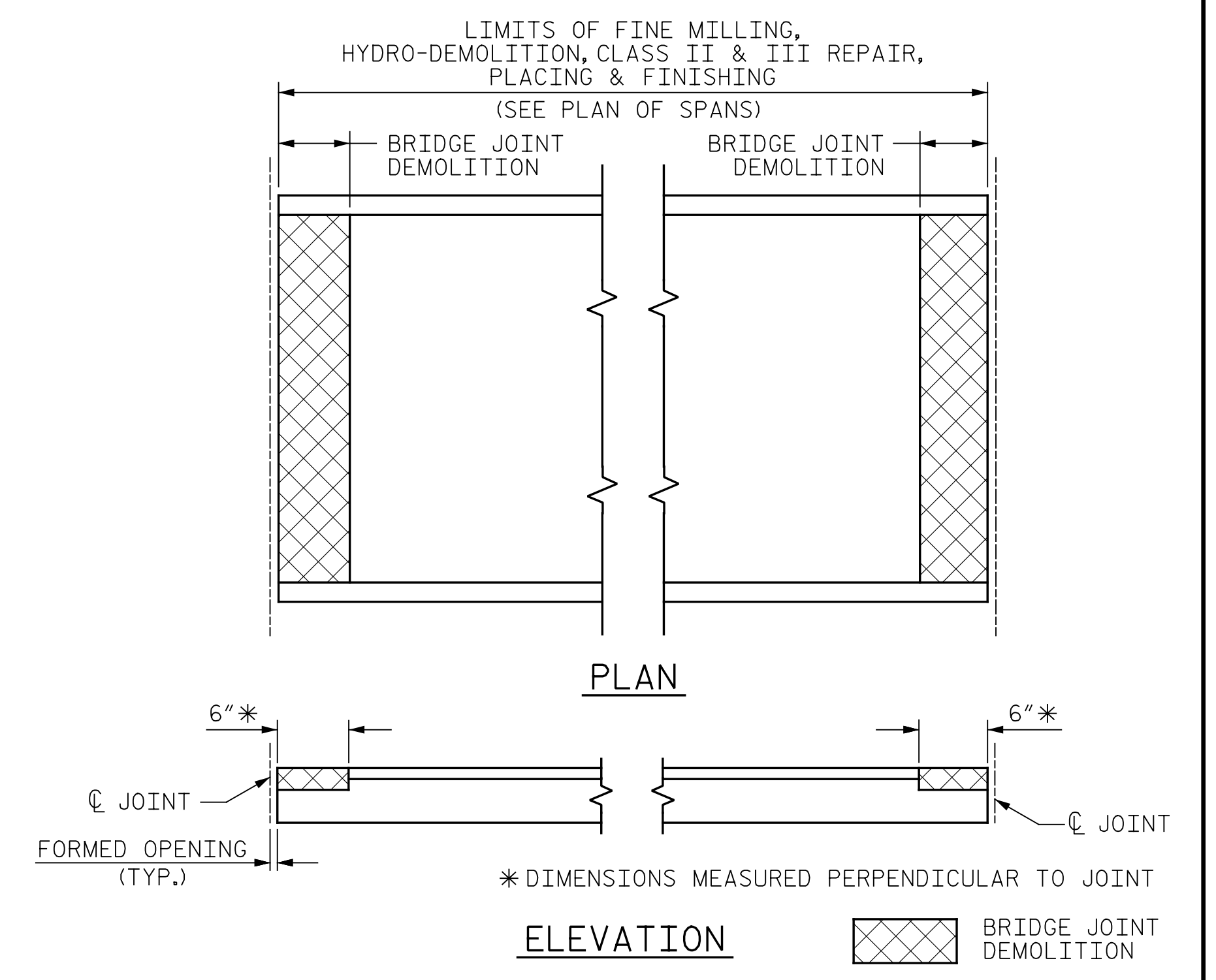
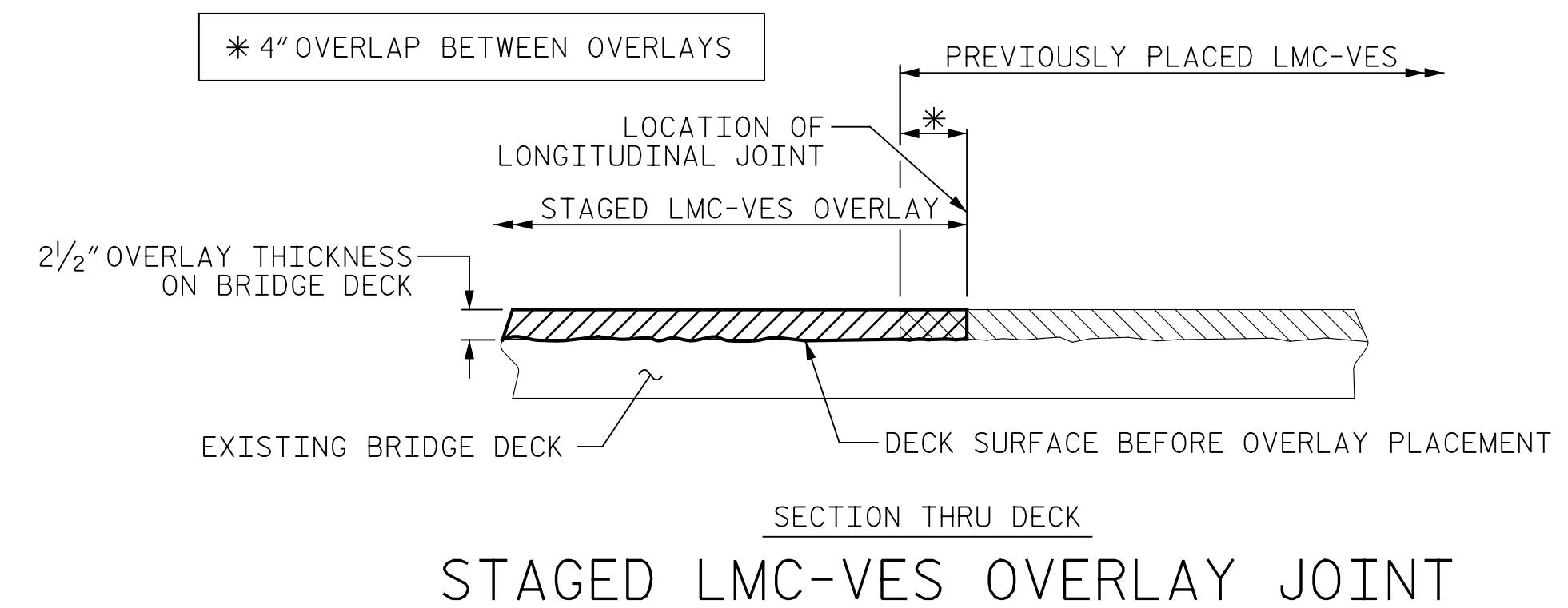
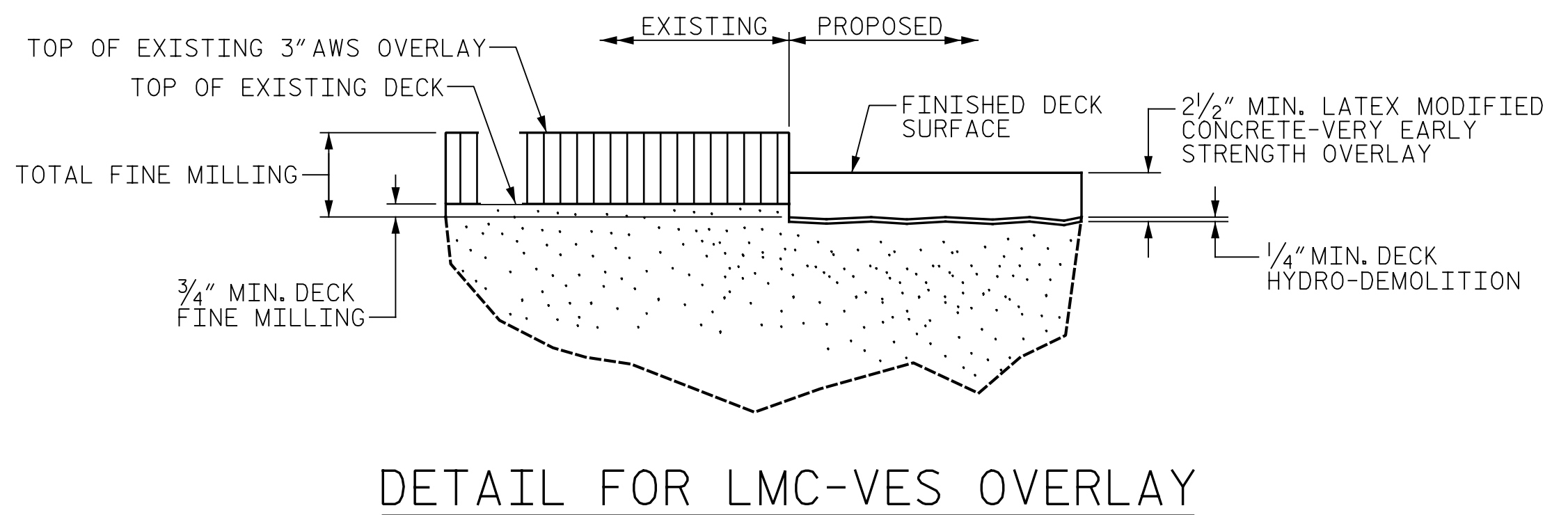
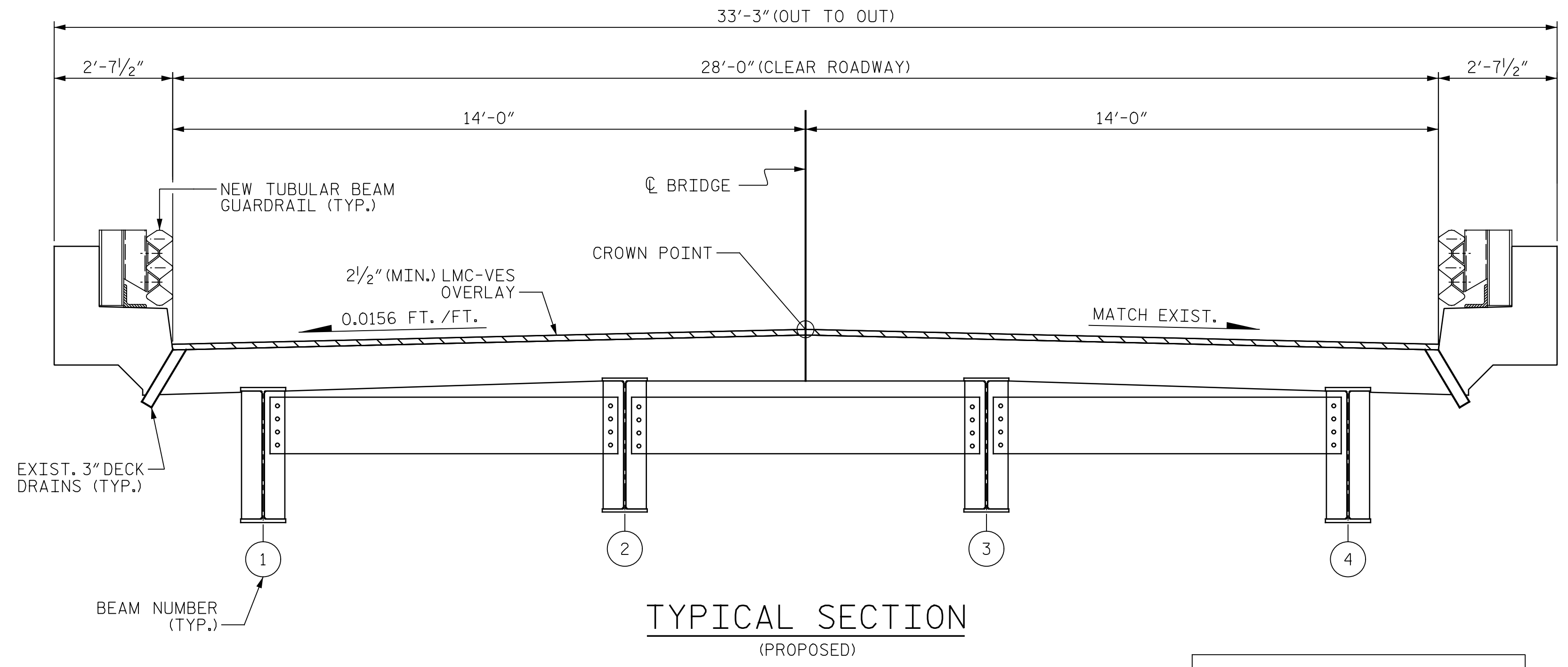
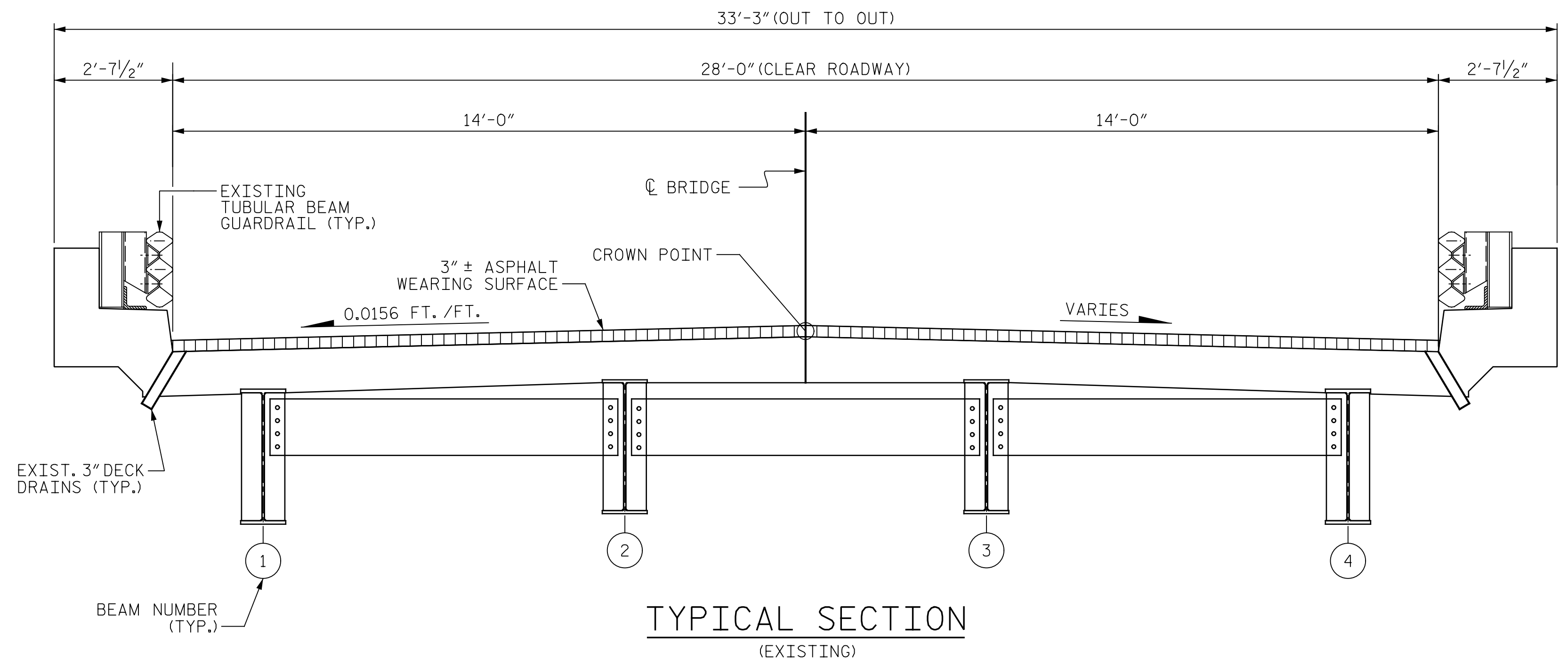


p:\gfn\pw\ben\ty.com\gfn\pw-01\Documents\Projects\67945\5-WorKing\Task 005 - I-5889B Rehab\Structures\CAD\2.0 100% Plans\405_151_I-5889_SMU_TS_003_100352
 7/21/2022 3:57:05 PM pdf_color_gfct_FS.plt I-5889B.TBI



PAY LIMITS FOR OVERLAY BID ITEMS

NOTES:
 SEE TRAFFIC MANAGEMENT PLANS FOR LANE WIDTHS, SEQUENCING, AND OTHER TRAFFIC CONTROL MEASURES FOR STAGING OF OVERLAY SURFACE PREPARATION AND LMC PLACEMENT.
 WHEN PREPARING THE SURFACE FOR LMC-VES OVERLAY ADJACENT TO A PREVIOUSLY PLACED LMC-VES STAGE, THE PREVIOUSLY PLACED LMC-VES SHALL BE REMOVED FOR A DISTANCE OF 4 INCHES FROM THE LMC-VES EDGE. THE SURFACE OF THE NEW STAGE AREA, ALONG WITH THE 4 INCH OVERLAY AREA, SHALL BE PREPARED AS PER THE OVERLAY SURFACE PREPARATION SPECIAL PROVISIONS. NEW LMC-VES SHALL BE PLACED IN THE 4-INCH OVERLAP, AS PART OF THE NEW LMC-VES STAGE PLACEMENT.

PROJECT NO. I-5889B
BUNCOMBE COUNTY
 BRIDGE NO. 100352



STATE OF NORTH CAROLINA
 DEPARTMENT OF TRANSPORTATION
 RALEIGH

TYPICAL SECTION AND SURFACE PREPARATION DETAILS

DRAWN BY: J. HARRIS DATE: 6/2022
 CHECKED BY: J. YANACCONE DATE: 6/2022



DOCUMENT NOT CONSIDERED FINAL UNLESS ALL SIGNATURES COMPLETED

REVISIONS						SHEET NO.
NO.	BY:	DATE:	NO.	BY:	DATE:	
1			3			S5-3
2			4			TOTAL SHEETS 133