

NOTES

REPAIR LOCATIONS AND ESTIMATE OF QUANTITIES ARE BASED ON THE BEST INFORMATION AVAILABLE. IF ADDITIONAL REPAIRS NOT SHOWN ON THE DRAWINGS ARE DEEMED NECESSARY BY THE ENGINEER, THE ENGINEER SHALL NOTE ON THE DRAWINGS THE APPROXIMATE LOCATION AND DESCRIPTION OF THE REPAIRS AND ENTER THE ACTUAL QUANTITIES INTO THE SUBSTRUCTURE REPAIR QUANTITY TABLE.

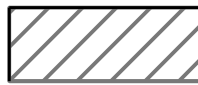
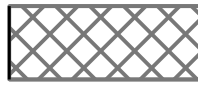

CLEAN AND REMOVE DEBRIS FROM THE TOP OF THE CAP AND APPLY EPOXY PROTECTIVE COATING. EPOXY COATING SHALL BE APPLIED TO THE TOP SURFACE OF THE CAP. THE CONTRACTOR SHALL NOT COAT THE AREA OF THE CAP BENEATH THE MASONRY PLATES.

CONCRETE REPAIRS MAYBE SUBSTITUTED IN LIEU OF SHOTCRETE REPAIRS WITH THE APPROVAL OF THE ENGINEER.

REMOVAL OF DEBRIS AND DISPOSAL OF EXISTING JOINT SEALANT MATERIAL FROM SLOPE PROTECTION PRIOR TO PLACEMENT OF BACKER ROD AND POURABLE SILICONE JOINT SEALANT SHALL BE CONSIDERED INCIDENTAL TO CONSTRUCTION.

POURABLE SILICONE JOINT SEALANT SHALL BE INSTALLED AS PER THE MANUFACTURER'S RECOMMENDATIONS.

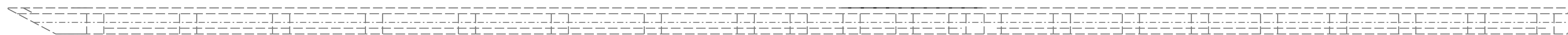
THE INSTALLED POURABLE SILICONE JOINT SEALANT SHALL BE WATER TIGHT.

-  SHOTCRETE REPAIR AREA
-  CONCRETE REPAIR AREA
-  EPOXY RESIN INJECTION

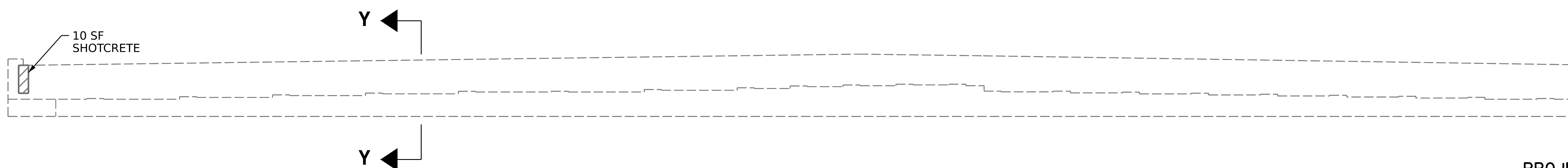
SUBSTRUCTURE REPAIR QUANTITY TABLE

END BENT 1	QUANTITIES			
	ESTIMATE		ACTUAL	
SHOTCRETE REPAIRS	AREA SF	VOLUME CF	AREA SF	VOLUME CF
CAP	0	0		
BACKWALL	10	5		
CONCRETE REPAIRS	AREA SF	VOLUME CF	AREA SF	VOLUME CF
CAP	0	0		
BACKWALL	0	0		
EPOXY RESIN INJECTION	LINEAR FT		LINEAR FT	
CAP	0			
BACKWALL	0			
EPOXY COATING	AREA SF		AREA SF	
CAP	1050			
POURABLE SILICONE JT. SEALANT	LINEAR FT		LINEAR FT	
JOINT	630			

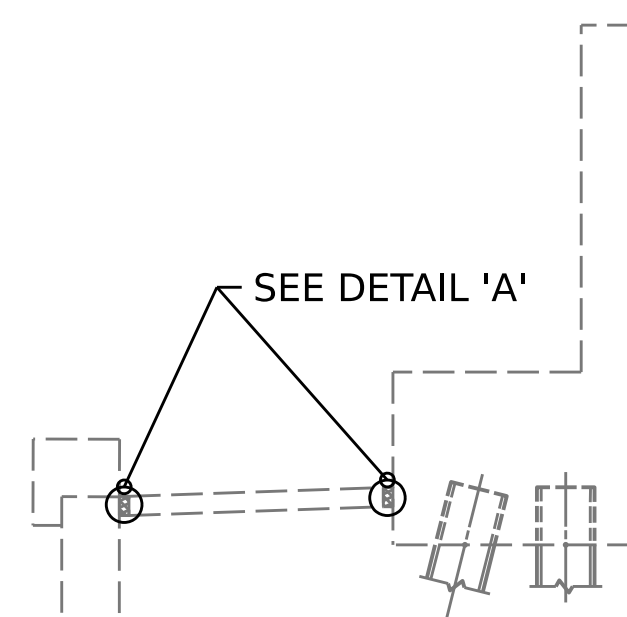
VALUES IN CHART REPRESENT ESTIMATED REPAIR TOTALS AFTER REMOVAL OF UNSOUND CONCRETE, MIN. OF 1" BEHIND REBAR AND MIN. 1" CLEAR TO SAWCUT. SEE REPAIR DETAILS.



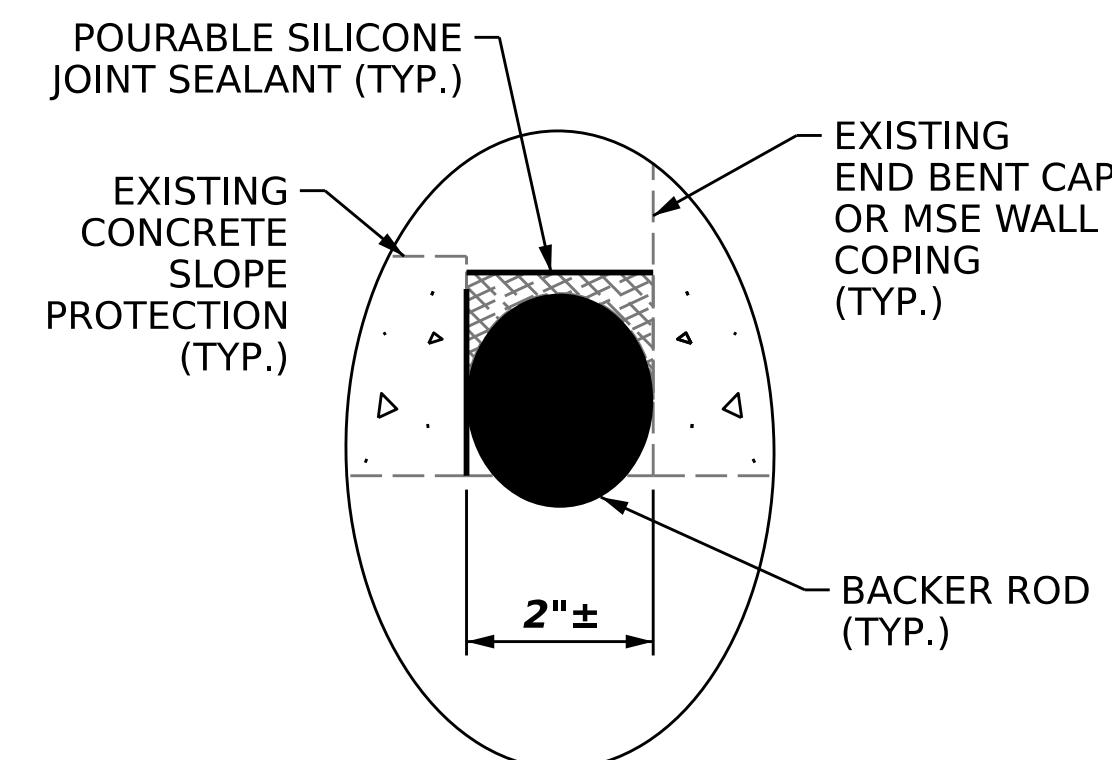
PLAN



ELEVATION

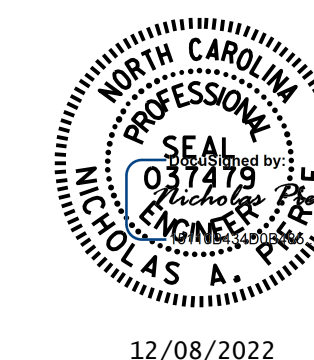


SECTION Y-Y



DETAIL 'A'

PROJECT NO. **15BPR.59**
DURHAM COUNTY
 BRIDGE NO. **310306**



STATE OF NORTH CAROLINA
 DEPARTMENT OF TRANSPORTATION
 RALEIGH
 SUBSTRUCTURE REPAIR
END BENT 1

REVISIONS						SHEET NO. S1-11 TOTAL SHEETS 15
NO.	BY:	DATE:	NO.	BY:	DATE:	
1			3			
2			4			

DOCUMENT NOT CONSIDERED FINAL UNLESS ALL SIGNATURES COMPLETED

DRAWN BY : N.A. PIERCE DATE : 04/2022
 CHECKED BY : A.Y.GODFREY DATE : 10/2022
 DESIGN ENGINEER OF RECORD : N.A. PIERCE DATE : 12/2022