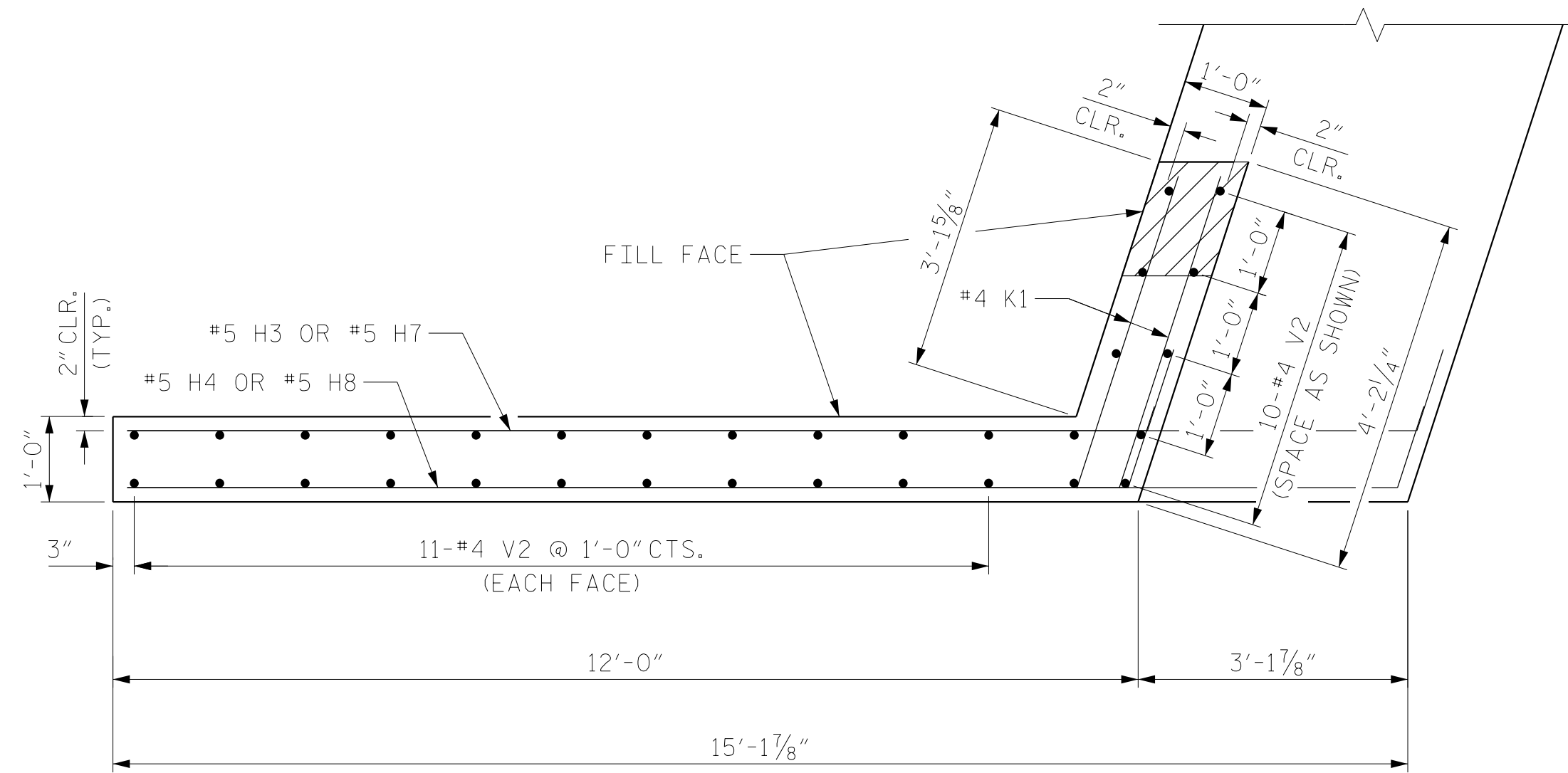
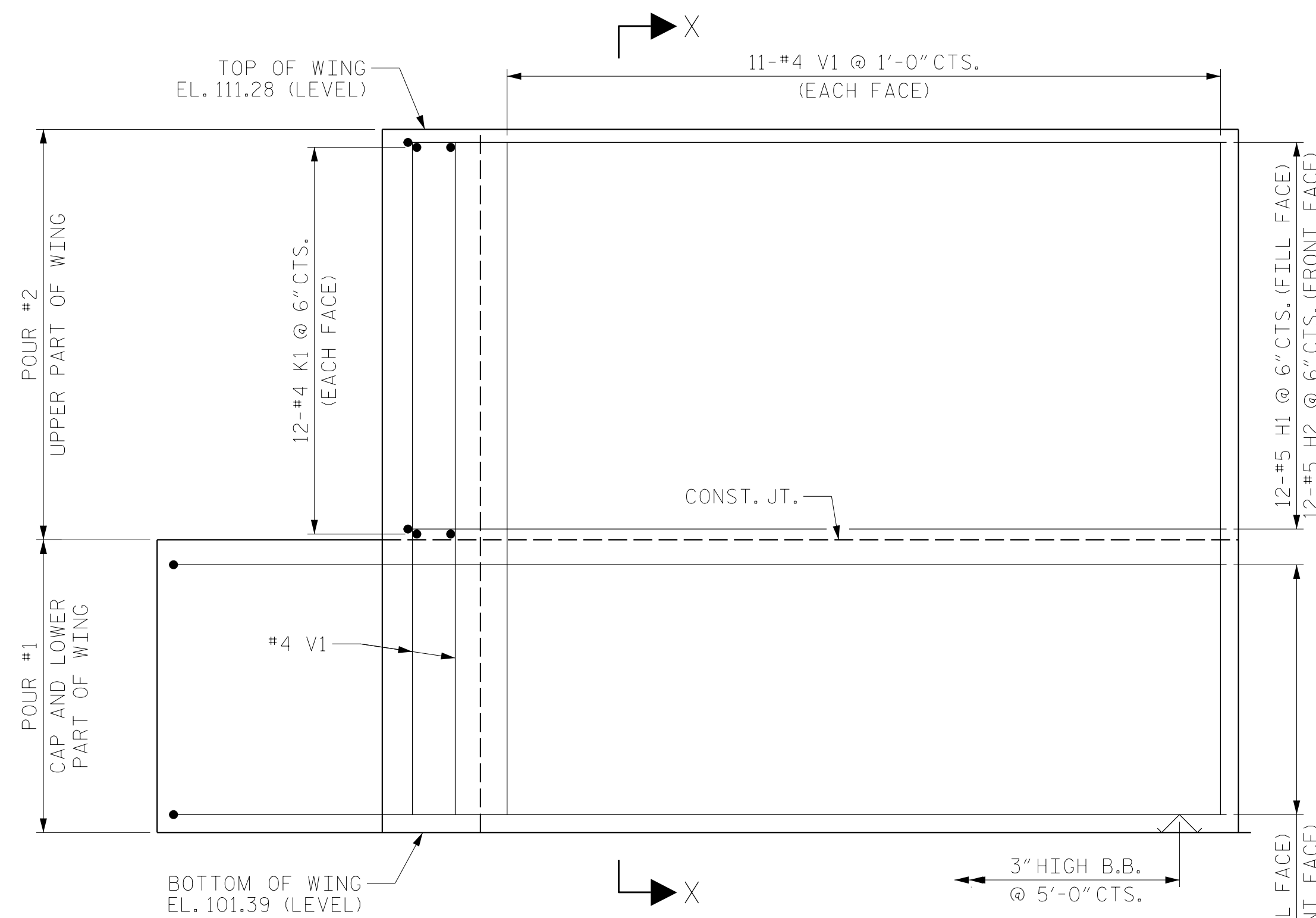


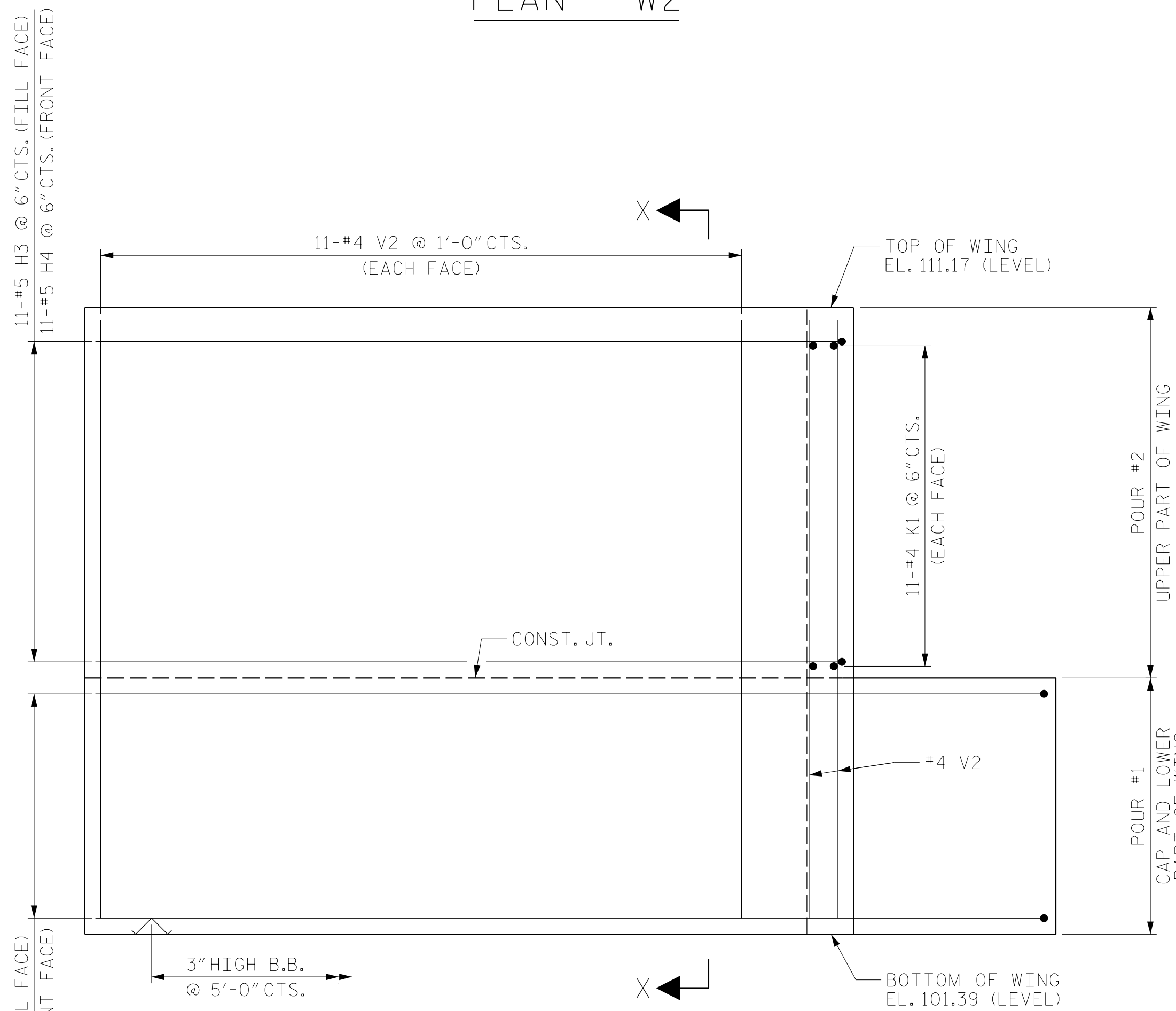
PLAN - W1



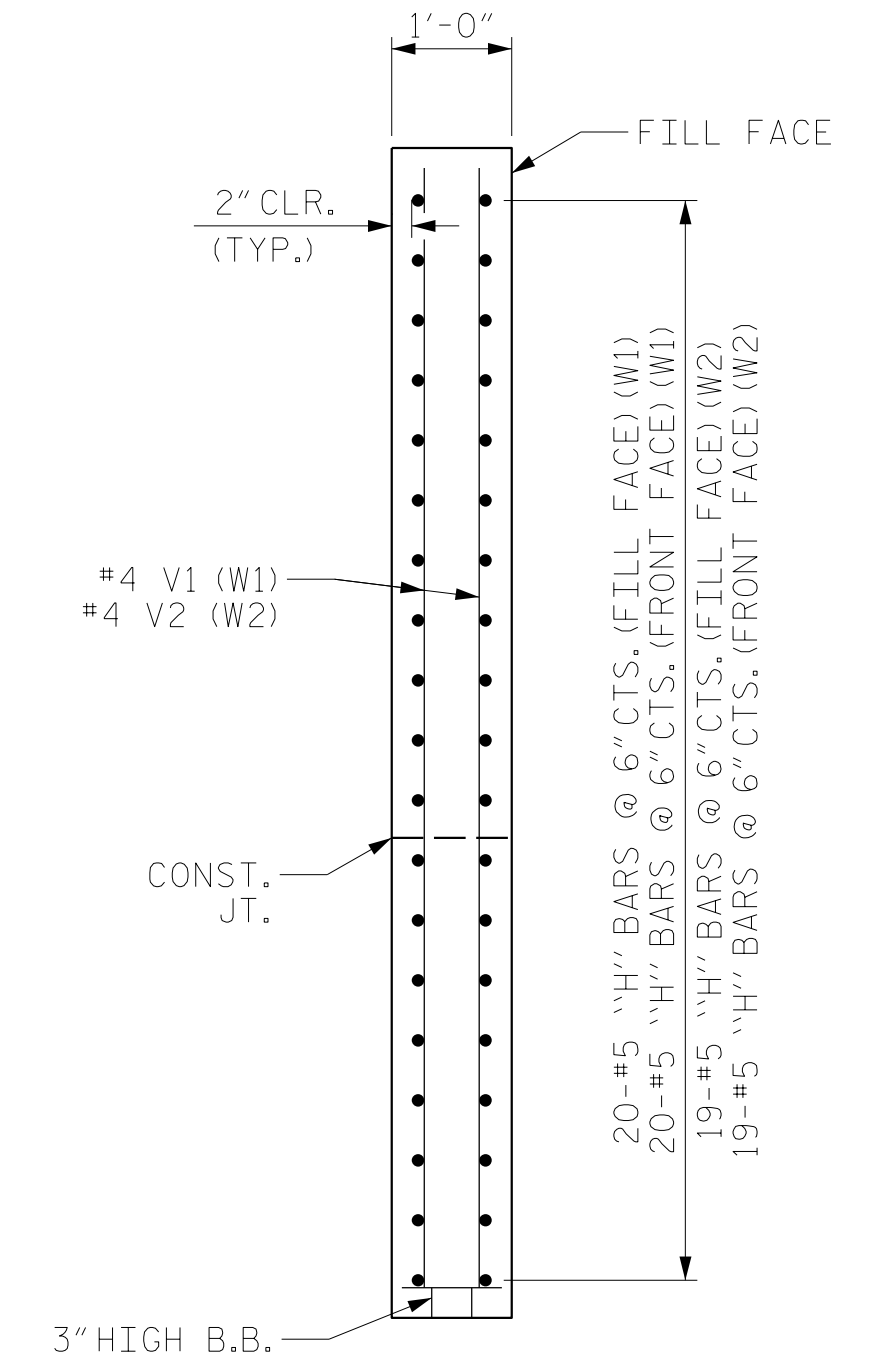
PLAN - W2



ELEVATION - W1



ELEVATION - W2



SECTION X-X

PROJECT NO. R-5751
ROBESON COUNTY
 STATION: 37+99.89 -Y1B-

SHEET 2 OF 3



STATE OF NORTH CAROLINA
 DEPARTMENT OF TRANSPORTATION
 RALEIGH
 SUBSTRUCTURE
 END BENT 2
 WING WALL DETAILS

DRAWN BY : TWL DATE : 02/2022
 CHECKED BY : MRA DATE : 02/2022
 DESIGN ENGINEER OF RECORD: MKO DATE : 10/2022

DOCUMENT NOT CONSIDERED
 FINAL UNLESS ALL
 SIGNATURES COMPLETED

REVISIONS						SHEET NO.
NO.	BY:	DATE:	NO.	BY:	DATE:	S-24
1			3			TOTAL SHEETS
2			4			28