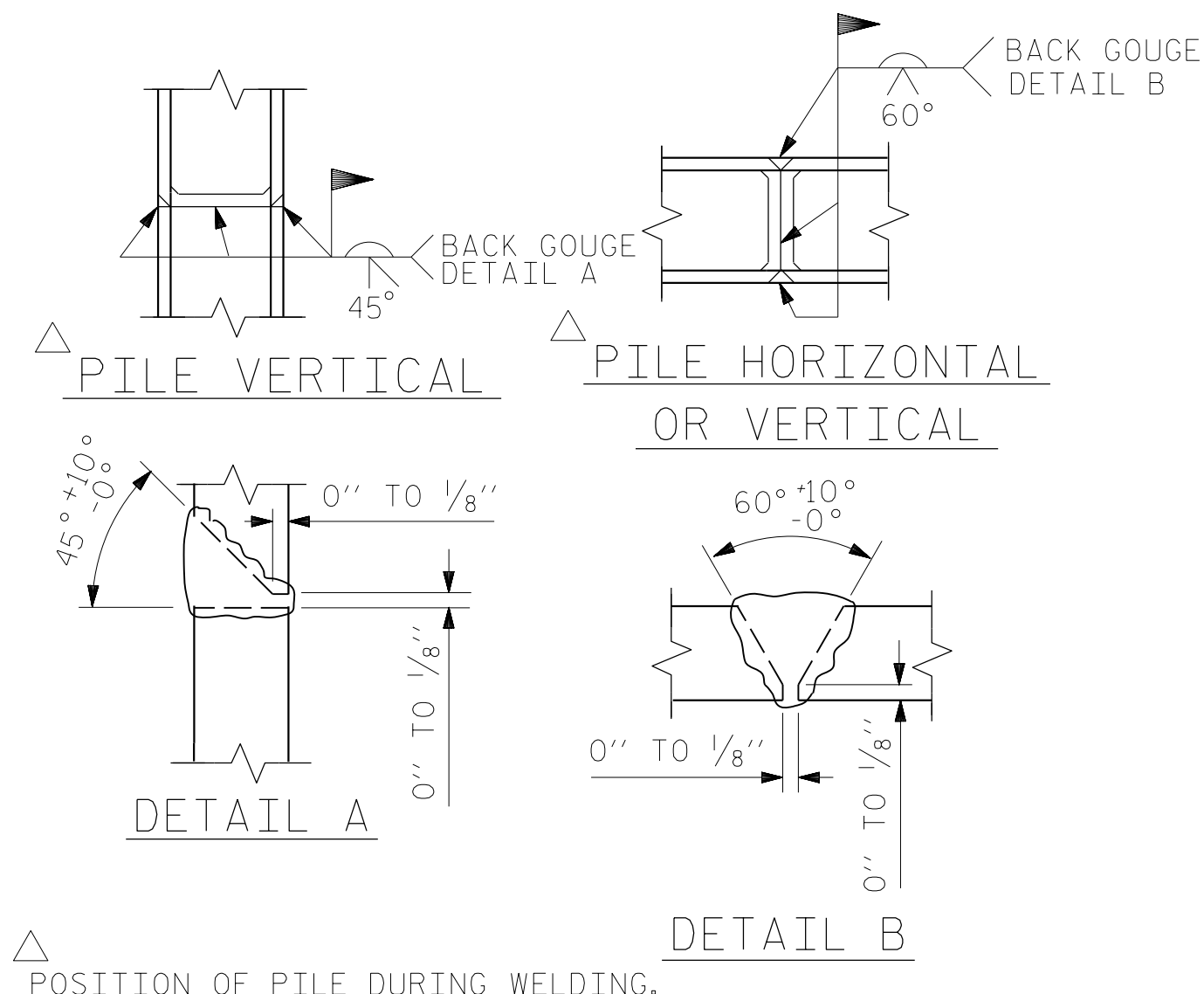


BAGGED STONE AND PIPE SHALL BE PLACED IMMEDIATELY AFTER COMPLETION OF END BENT EXCAVATION. PIPE MAY BE EITHER CONCRETE, CORRUGATED STEEL, CORRUGATED ALUMINUM ALLOY, OR CORRUGATED PLASTIC. PERFORATED PIPE WILL NOT BE ALLOWED.

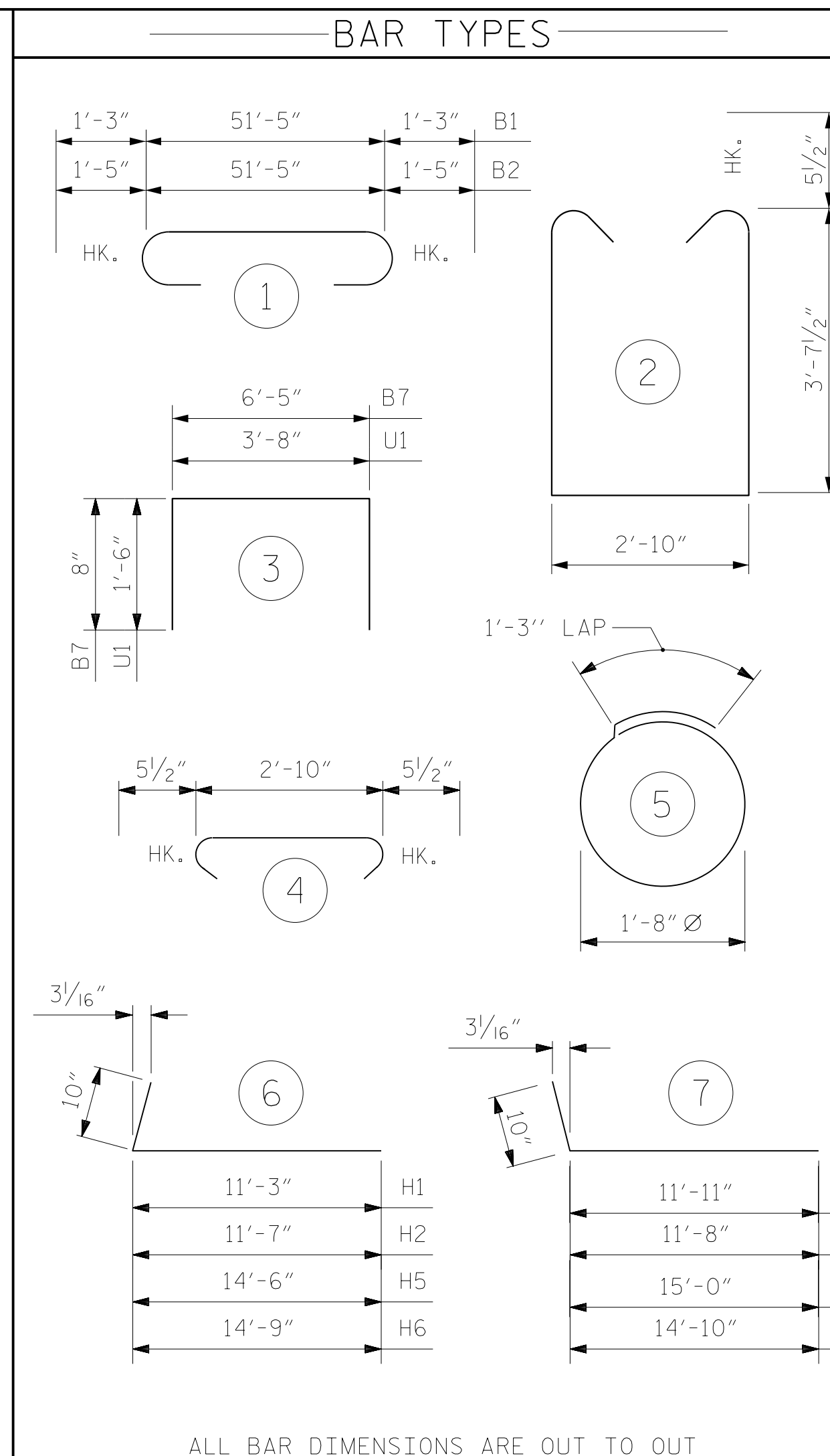
BAGGED STONE SHALL REMAIN IN PLACE UNTIL THE ENGINEER DIRECTS THAT IT BE REMOVED. THE CONTRACTOR SHALL REMOVE AND DISPOSE OF SILT ACCUMULATIONS AT BAGGED STONE WHEN SO DIRECTED BY THE ENGINEER. BAGS SHALL BE REMOVED AND REPLACED WHENEVER THE ENGINEER DETERMINES THAT THEY HAVE DETEIORATED AND LOST THEIR EFFECTIVENESS.

NO SEPARATE PAYMENT WILL BE MADE FOR THIS WORK AND THE ENTIRE COST OF THIS WORK SHALL BE INCLUDED IN THE UNIT CONTRACT PRICE BID FOR THE SEVERAL PAY ITEMS.

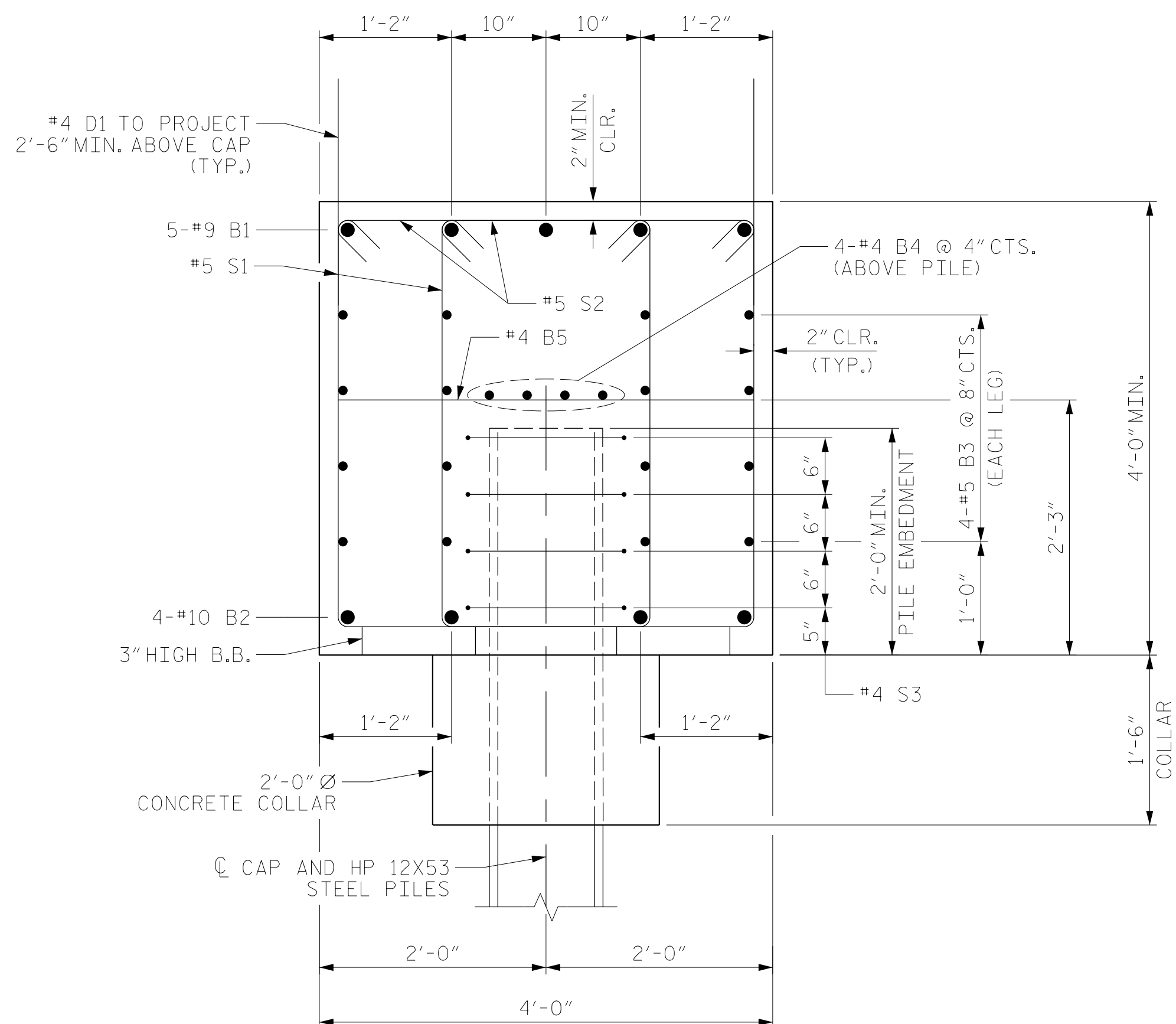
### TEMPORARY DRAINAGE AT END BENT



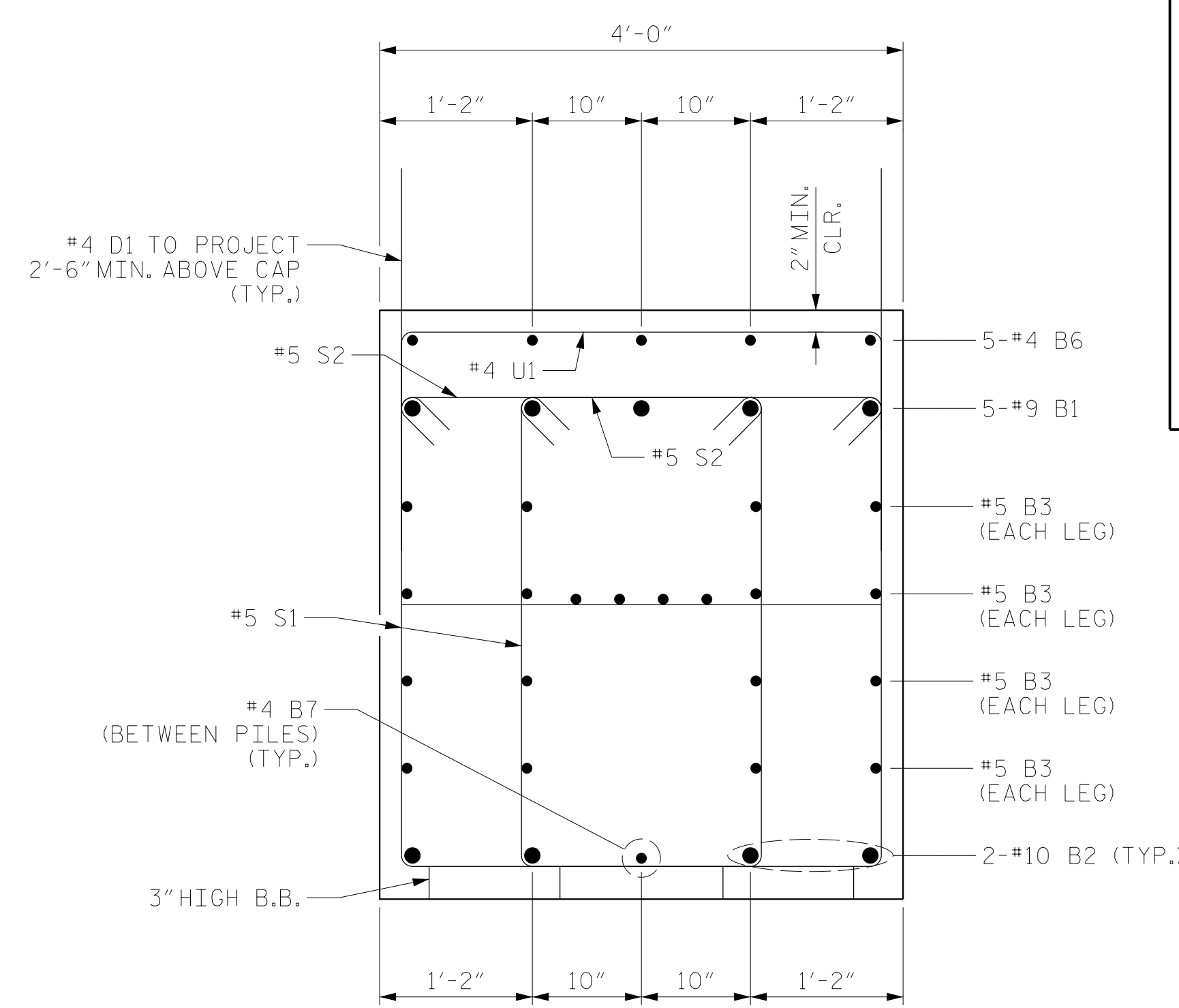
### PIPE SPLICE DETAILS



BILL OF MATERIAL					
END BENT 1					
BAR	NO.	SIZE	TYPE	LENGTH	WEIGHT
B1	5	#9	1	53'-11"	917
B2	4	#10	1	54'-3"	934
B3	16	#5	STR	51'-5"	858
B4	8	#4	STR	26'-11"	144
B5	13	#4	STR	3'-8"	32
B6	5	#4	STR	23'-8"	79
B7	7	#4	3	7'-9"	36
D1	80	#4	STR	5'-0"	267
H1	12	#5	6	12'-1"	151
H2	12	#5	6	12'-5"	155
H3	11	#5	7	12'-9"	146
H4	11	#5	7	12'-6"	143
H5	8	#5	6	15'-4"	128
H6	8	#5	6	15'-7"	130
H7	8	#5	7	15'-10"	132
H8	8	#5	7	15'-8"	131
K1	46	#4	STR	3'-10"	118
S1	134	#5	2	11'-0"	1537
S2	134	#5	4	3'-9"	524
S3	32	#4	5	6'-6"	139
U1	16	#4	3	6'-8"	71
V1	32	#4	STR	9'-5"	201
V2	32	#4	STR	9'-4"	200
REINFORCING STEEL					7,173 LBS.
CLASS A CONCRETE BREAKDOWN					
POUR #1 (CAP, LOWER WINGS, AND COLLARS) 37.0 C.Y.					
POUR #2 (UPPER WINGS) 6.5 C.Y.					
TOTAL CLASS A CONCRETE 43.5 C.Y.					



### SECTION A-A



### SECTION B-B

DRAWN BY : TWL DATE : 02/2022  
 CHECKED BY : MRA DATE : 02/2022  
 DESIGN ENGINEER OF RECORD: MKO DATE : 10/2022

DOCUMENT NOT CONSIDERED FINAL UNLESS ALL SIGNATURES COMPLETED

RS&H Architects-Engineers-Planners, Inc.

8521 Six Forks Road, Suite 400  
 Raleigh, NC 27615  
 919-926-4100 FAX 919-846-9080  
 www.rsandh.com  
 North Carolina License No. 50737-F-0403-C-02

PROJECT NO. R-5751  
 ROBESON COUNTY  
 STATION: 37+99.89 -Y1B-

SHEET 3 OF 3

STATE OF NORTH CAROLINA DEPARTMENT OF TRANSPORTATION RALEIGH					
SUBSTRUCTURE END BENT 1 DETAILS					
REVISIONS					
NO.	BY:	DATE:	NO.	BY:	DATE:
1			3		
2			4		

SHEET NO. S-20

TOTAL SHEETS 28