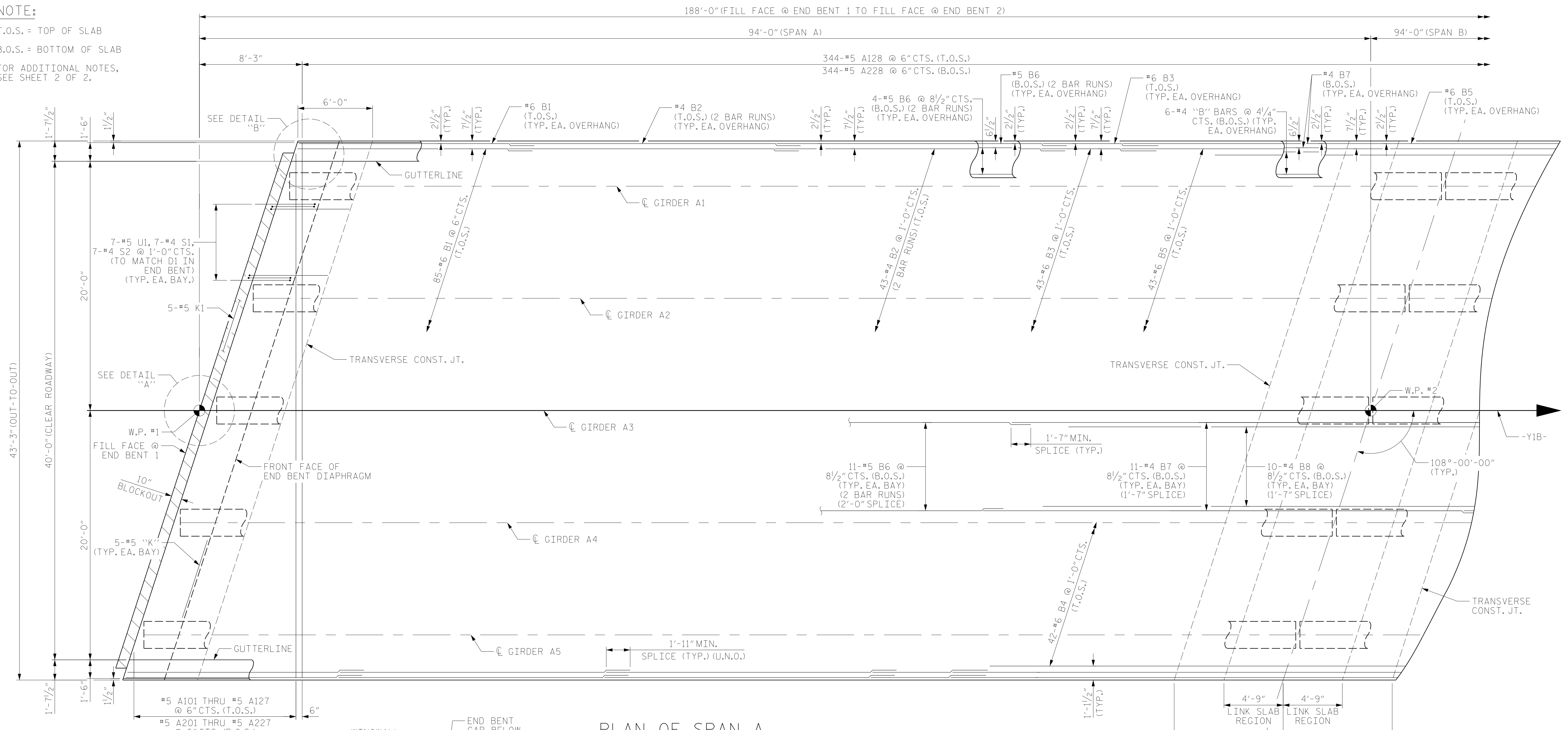
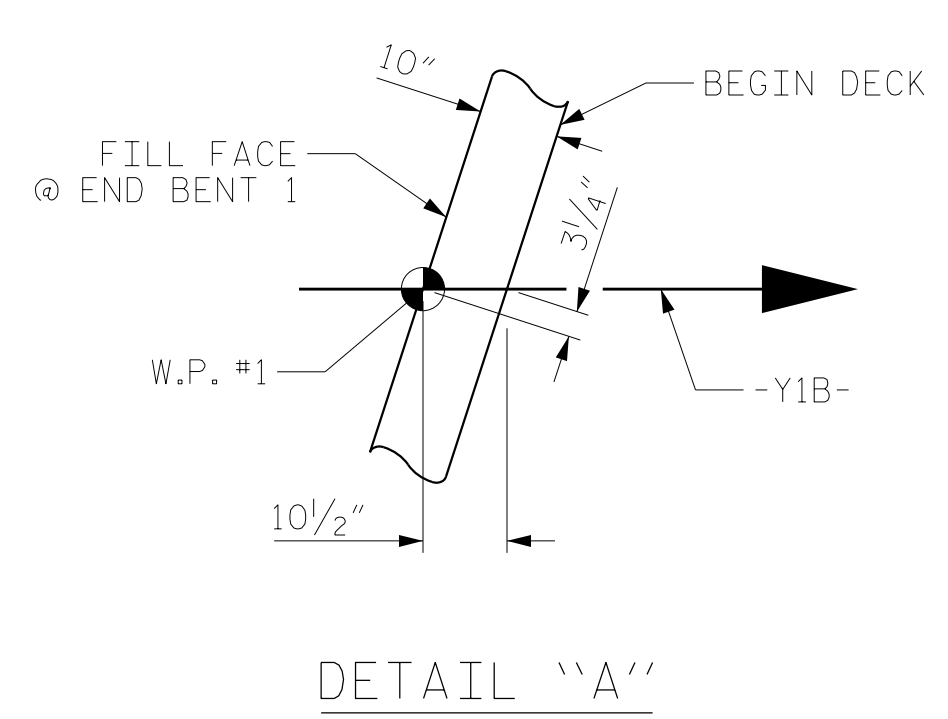


NOTE:

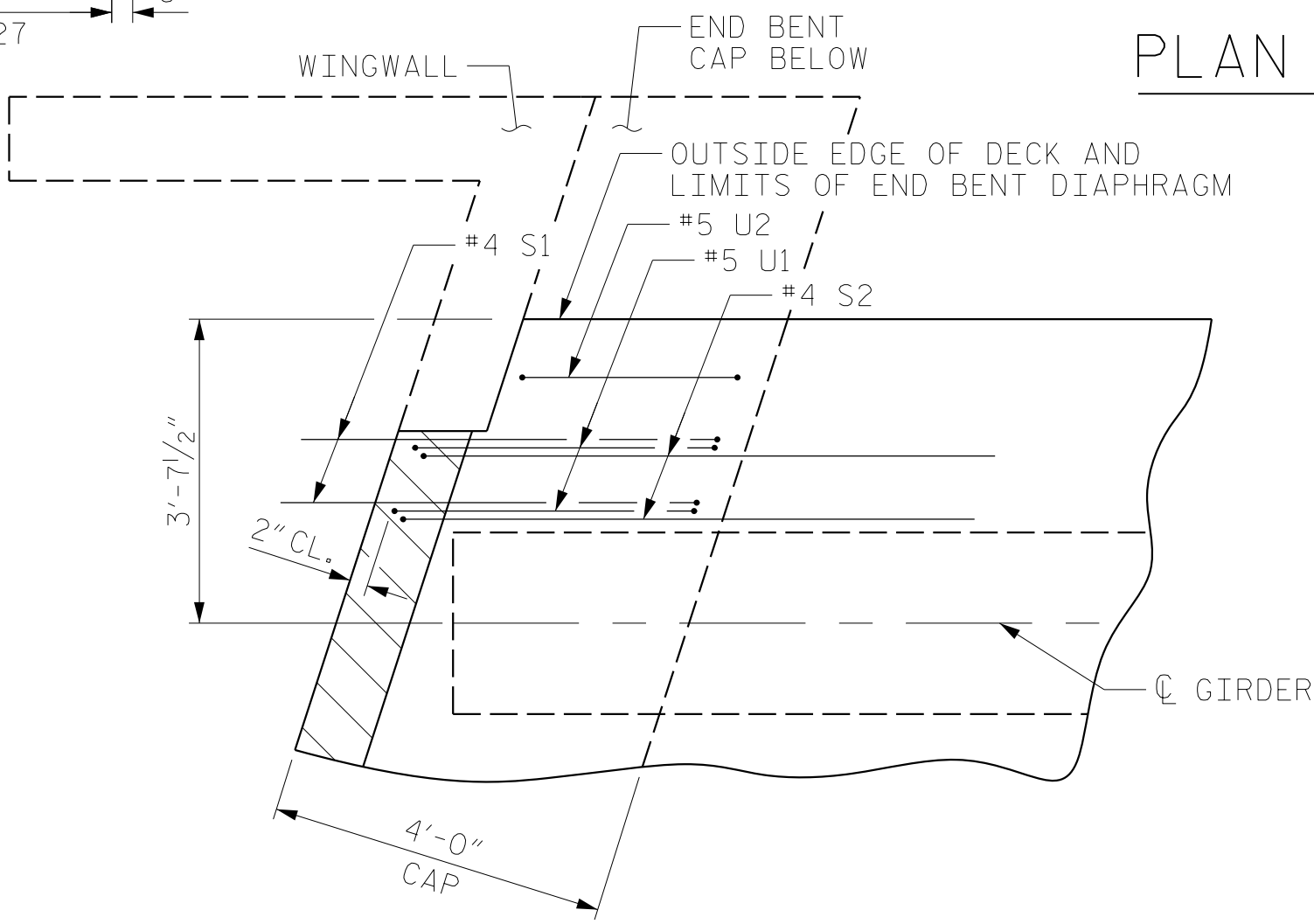
T.O.S. = TOP OF SLAB
 B.O.S. = BOTTOM OF SLAB
 FOR ADDITIONAL NOTES,
 SEE SHEET 2 OF 2.



PLAN OF SPAN A

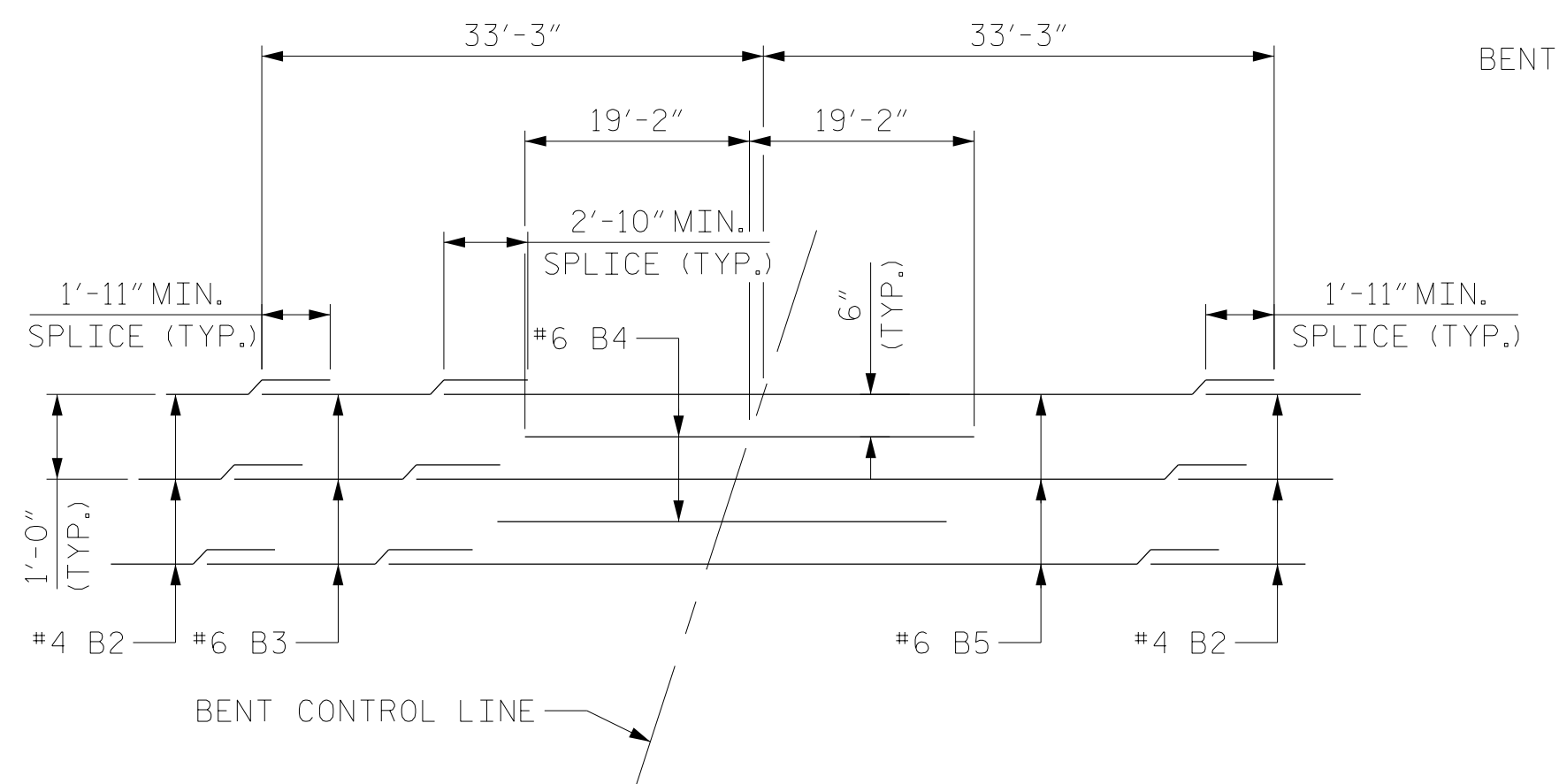


DETAIL "A"



DETAIL "B"

REINFORCEMENT SPACED AS SHOWN ON SHEET S-5



TOP OF SLAB REINFORCING STEEL LAYOUT

PROJECT NO. R-5751
 ROBESON COUNTY
 STATION: 37+99.89 -Y1B-

SHEET 1 OF 2



RS&H
 RS&H Architects-Engineers-Planners, Inc.
 8521 Six Forks Road, Suite 400
 Raleigh, NC 27615
 919-926-4100 FAX 919-846-9080
 www.rsandh.com
 North Carolina License Nos. 50737-54037-C&E

| STATE OF NORTH CAROLINA DEPARTMENT OF TRANSPORTATION RALEIGH | | | | | |
|--|-----|-------|-----|-----|-------|
| SUPERSTRUCTURE PLAN OF SPAN A | | | | | |
| REVISIONS | | | | | |
| NO. | BY: | DATE: | NO. | BY: | DATE: |
| 1 | | | 3 | | |
| 2 | | | 4 | | |

| | | |
|--------------|--|-----|
| SHEET NO. | | S-8 |
| TOTAL SHEETS | | 28 |

DRAWN BY : TWL DATE : 10/2021
 CHECKED BY : MRA DATE : 10/2021
 DESIGN ENGINEER OF RECORD: MKO DATE : 10/2022

DOCUMENT NOT CONSIDERED
 FINAL UNLESS ALL
 SIGNATURES COMPLETED