

PAVEMENT MARKING SCHEDULE

THERMOPLASTIC LINES

- T13 YELLOW DOUBLE CENTER (4", 90 MIL)
- T20 WHITE EDGELINE (6", 90 MIL)
- T21 WHITE SOLID LANE LINE (6", 90 MIL)
- T22 10FT. WHITE SKIP (6", 90 MIL)
- T23 3FT.-9FT./SP WHITE MINISKIP (6", 90 MIL)
- T24 2 FT.-6FT./SP WHITE MINISKIP (6", 90 MIL)
- T30 YELLOW EDGELINE (6", 90 MIL)
- T33 YELLOW DOUBLE CENTER (6", 90 MIL)
- T34 2 FT.-6FT./SP YELLOW MINISKIP (6", 90 MIL)
- T50 WHITE GORELINE (12", 90 MIL)
- T51 WHITE DIAGONAL (12", 90 MIL)
- T52 YELLOW DIAGONAL (12", 90 MIL)
- T61 WHITE STOPBAR (24", 90 MIL)
- T103 24" YIELD LINE TRIANGLE (90 MIL)


THERMOPLASTIC SYMBOLS

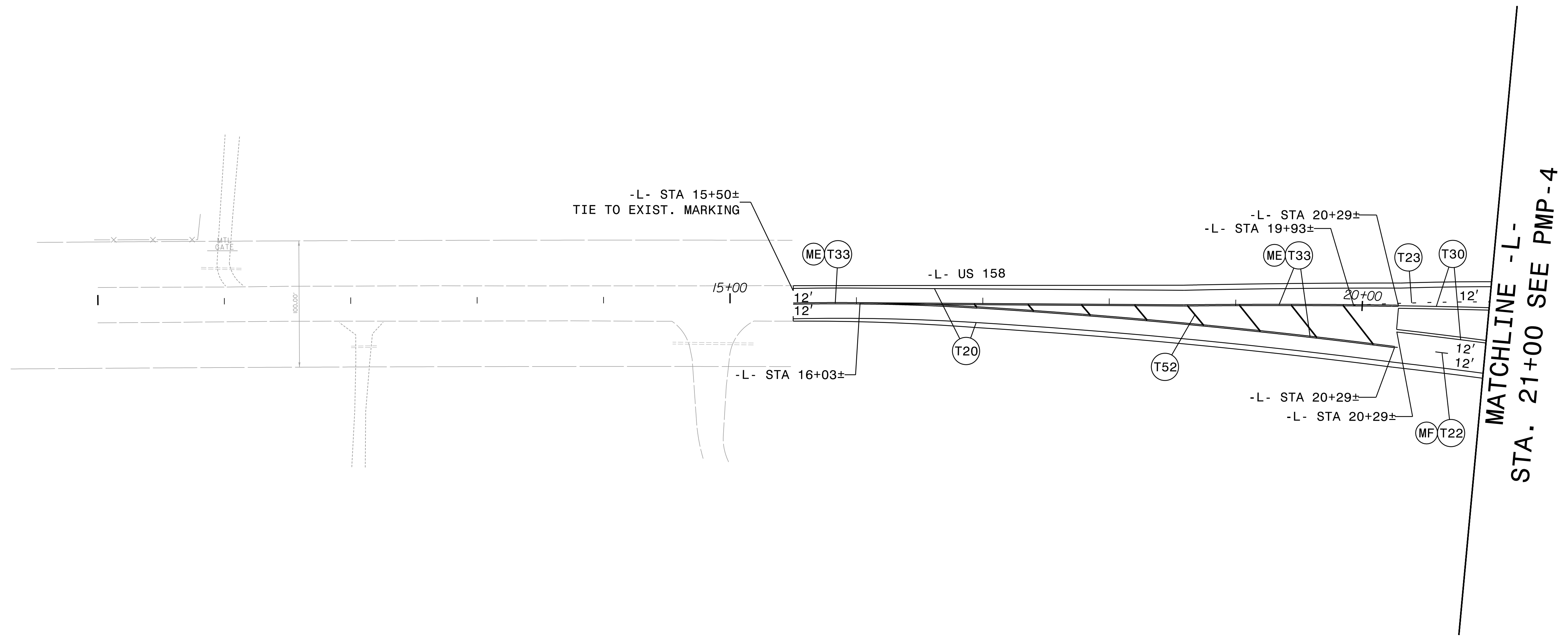
- T70 LEFT TURN ARROW (90 MIL)
- T71 RIGHT TURN ARROW (90 MIL)
- T77 U-TURN ARROW (90 MIL)
- T79 MERGE ARROW (90 MIL)

PAVEMENT MARKERS

- ME SNOWPLOWABLE RAISED (YELLOW & YELLOW)
- MF SNOWPLOWABLE RAISED (CRYSTAL & RED)

NAD 83/NA 2011

TIP NO. W-5701B	SHEET NO. PMP-3
APPROVED: <i>David T. Sears</i> <small>000183F2B8D741E</small>	
DATE: 1/9/2023	
	
DOCUMENT NOT CONSIDERED FINAL UNLESS ALL SIGNATURES COMPLETED	



1/9/2023 W-5701B_PMP_PSH03.dgn cseors



P: (919) 878-9560
 9601 Six Forks Road, Forum 1, Suite 700
 Raleigh, North Carolina 27615-3960
 NC License No. F-0112

Engineers | Construction Managers | Planners | Scientists
www.rkk.com

Responsive People | Creative Solutions

PAVEMENT MARKING DETAIL