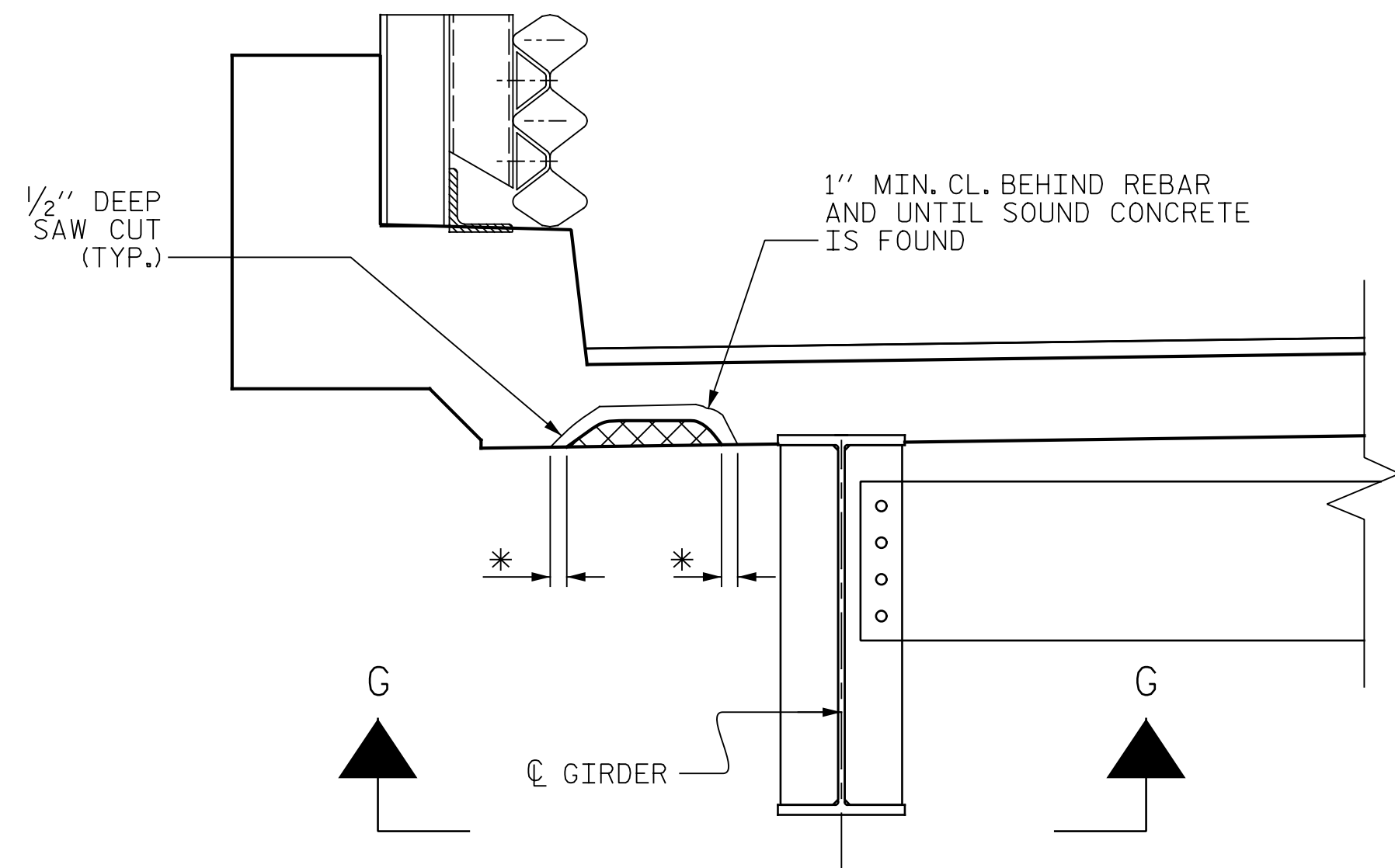


p:\gfn\p-w\benfley.com\gfn\p-w-01\Documents\Projects\67945\5-Work\King\Task 010 - I-5955 Greensboro Rehab\Structures\CAD\2.0 100% Plans\415\_009.I-5955\_SMU\_0U\_005  
 I:\17\2022 11:08:04 AM pdf\_color\_gfctt\_FS.plt I-5955.tbl

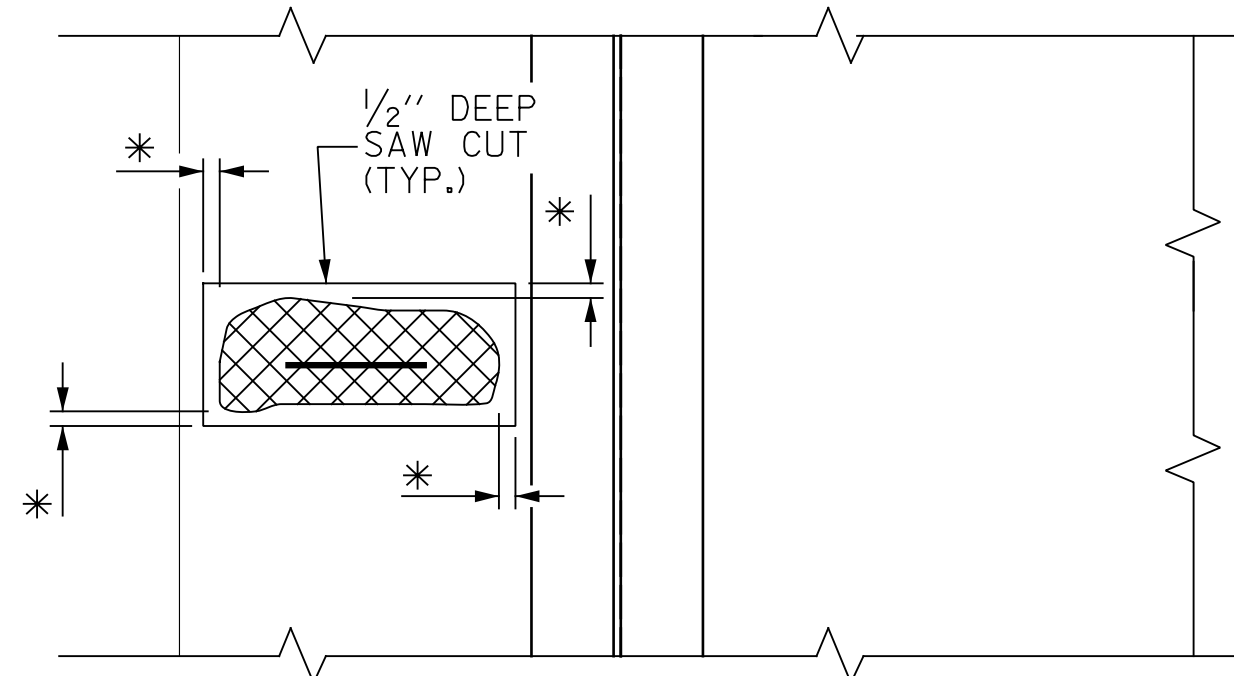
**NOTES**

- CONTRACTOR SHALL REMOVE SURFACE CONCRETE TO VERIFY THAT SAWCUT DEPTH WILL NOT DAMAGE EXISTING REINFORCING STEEL.
- CONTRACTOR SHALL SAW CUT TO A NOMINAL DEPTH OF 1/2" BUT REINFORCING STEEL SHALL NOT BE DAMAGED.
- CONTRACTOR SHALL SAW CUT THE REPAIR AREAS SO THAT THE CORNERS ARE SQUARE AS INDICATED ON THE DETAILS.
- FOR SHOTCRETE REPAIRS, SEE SPECIAL PROVISIONS..



**TYPICAL SECTION**

\* REMOVE CONCRETE UNTIL SOUND CONCRETE IS FOUND (1" MIN. DEPTH)



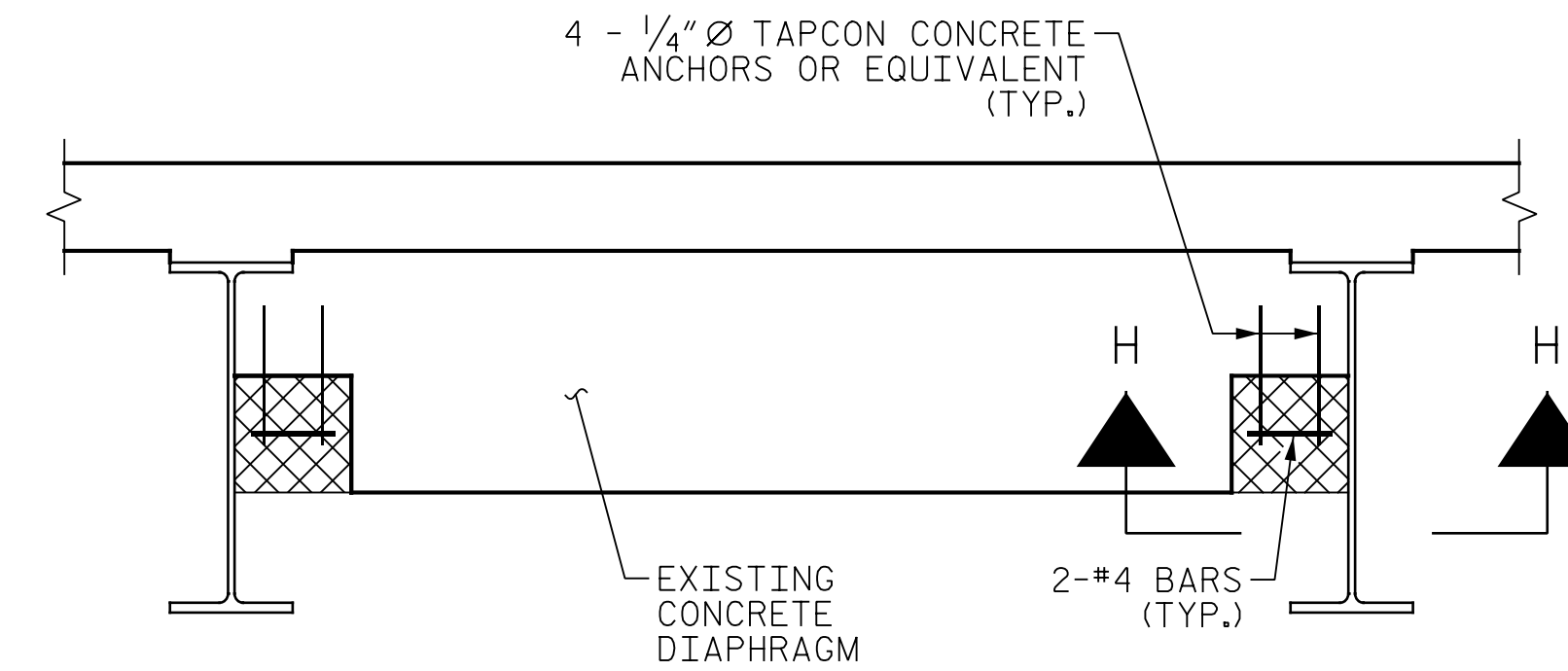
**SECTION G=G**

**OVERHANG DETAILS**

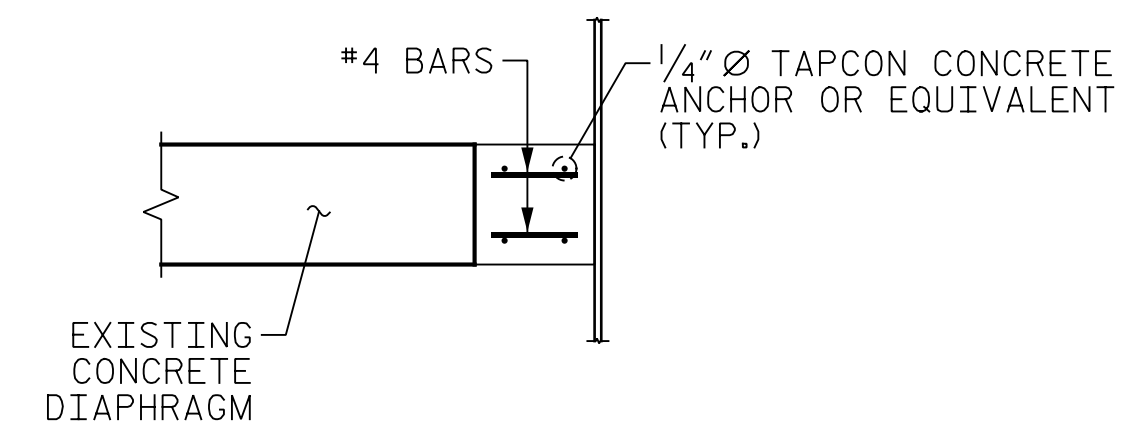
\* REMOVE CONCRETE UNTIL SOUND CONCRETE IS FOUND (1" MIN. DEPTH)



NOTE:  
EXISTING REBAR TO REMAIN IN PLACE.  
CLEAN AND REPAIR AS NECESSARY.



**ELEVATION**

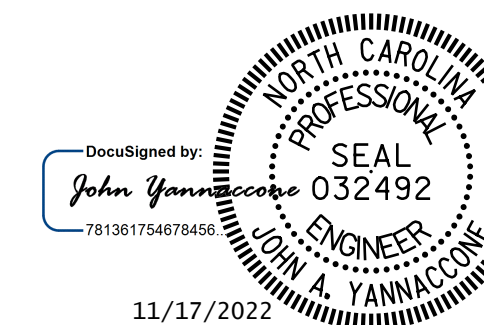


**SECTION H-H**

**INTERMEDIATE DIAPHRAGM REPAIR**

(BRIDGE #400299)

PROJECT NO. I-5955  
GUILFORD COUNTY  
 BRIDGE NO. 400285, 400299,  
400329, 400339 & 400340



11/17/2022

STATE OF NORTH CAROLINA  
 DEPARTMENT OF TRANSPORTATION  
 RALEIGH

**OVERHANG AND  
 UNDERSIDE  
 REPAIR DETAILS**

DRAWN BY : J. MYA DATE : 10/2022  
 CHECKED BY : J. YANNACCONE DATE : 10/2022



DOCUMENT NOT CONSIDERED  
 FINAL UNLESS ALL  
 SIGNATURES COMPLETED

REVISIONS						SHEET NO.
NO.	BY:	DATE:	NO.	BY:	DATE:	SD-5
1			3			TOTAL SHEETS
2			4			127