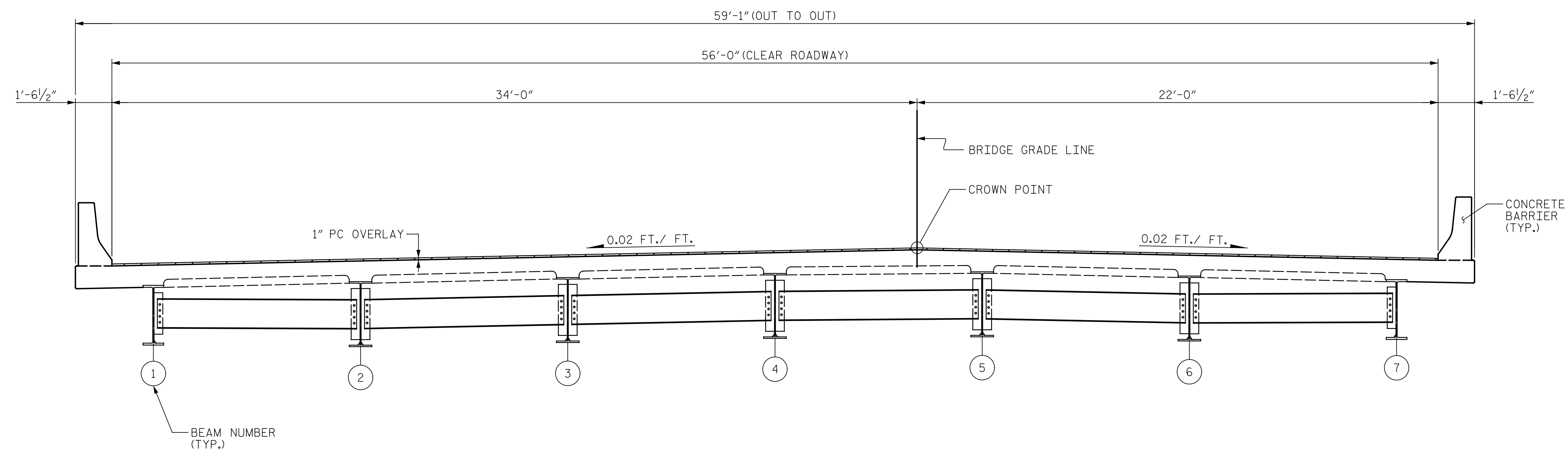
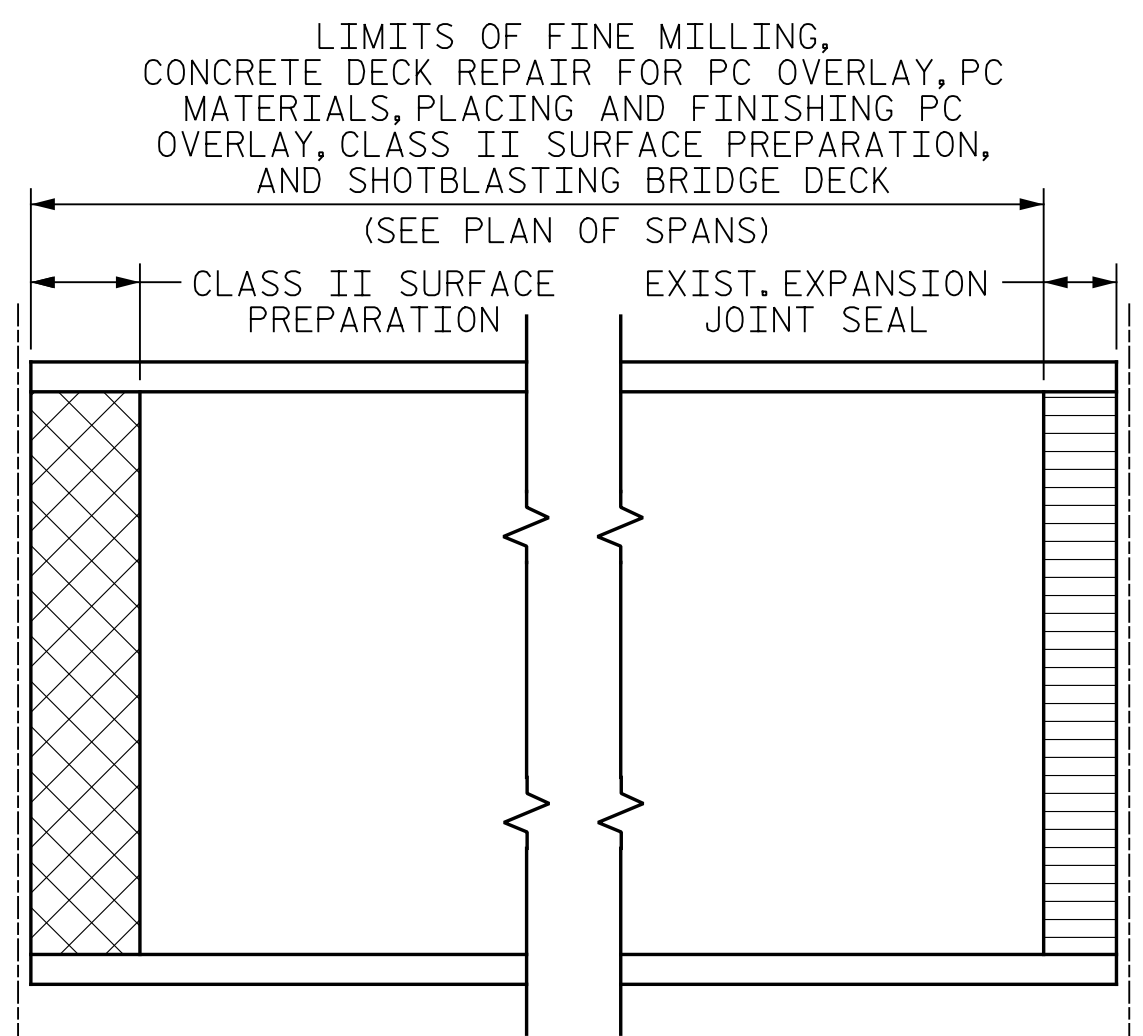


p:\gfnct-pw\benfley.com\gfnct-pw-01\Documents\Projects\67945\5-Work\King\Task 010 - I-5955 Greensboro Rehb\Structures\CAD\2.0 100% Plans\413\_005.I-5955\_SMU\_TS\_003\_400367  
 I:\17\2022 9:59:57 AM pdf\_color\_gfct\_FS.plt I-5955.tbl

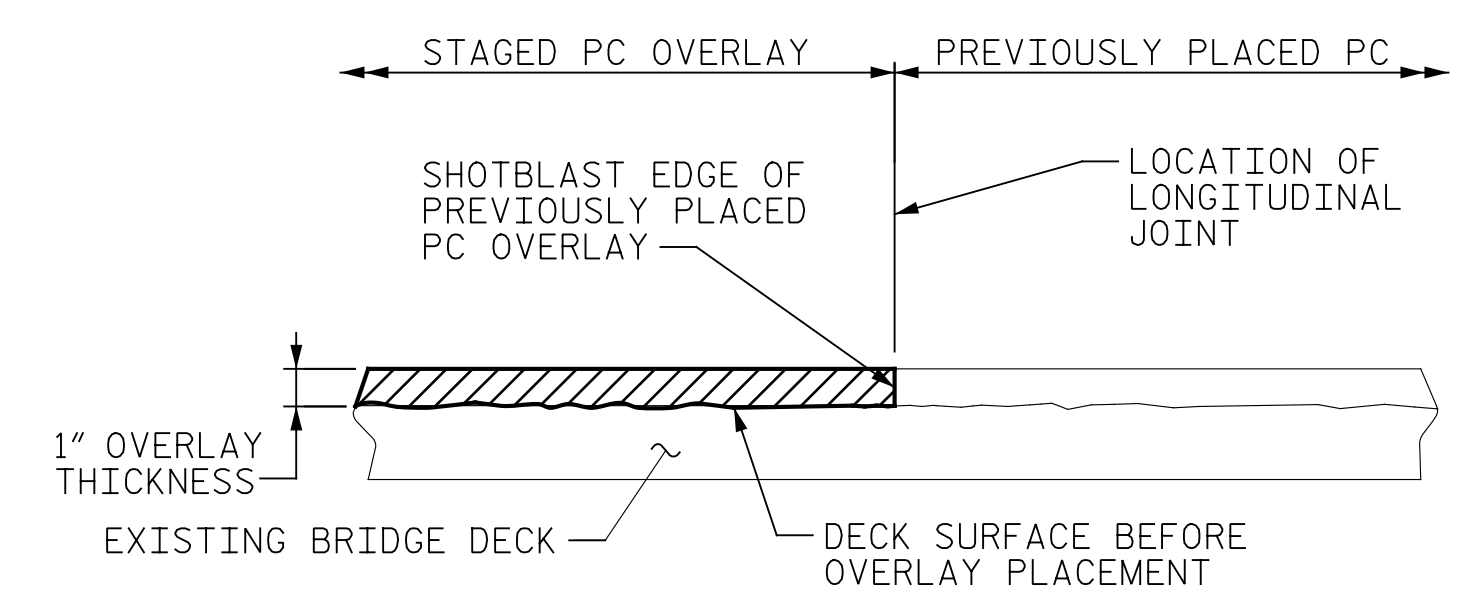
**NOTES:**  
 SEE TRANSPORTATION MANAGEMENT PLANS FOR LANE WIDTHS, SEQUENCING AND OTHER TRAFFIC CONTROL MEASURES FOR STAGING OF OVERLAY SURFACE PREPARATION AND PC PLACEMENT.



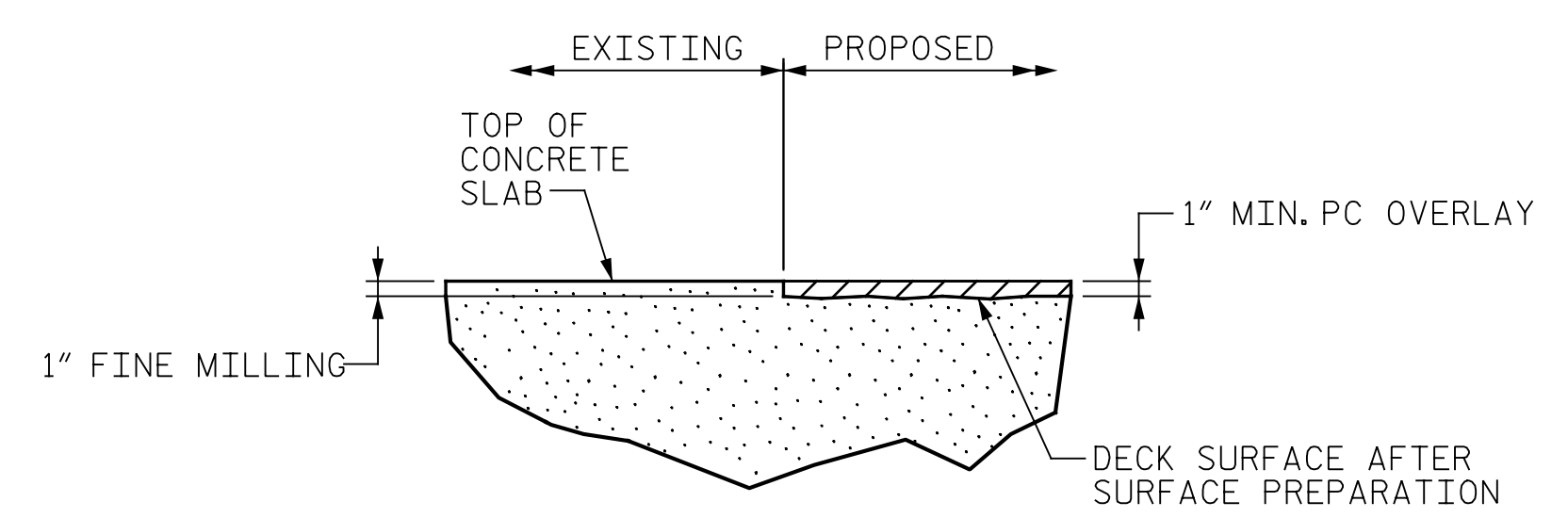
**TYPICAL SECTION**  
(PROPOSED)



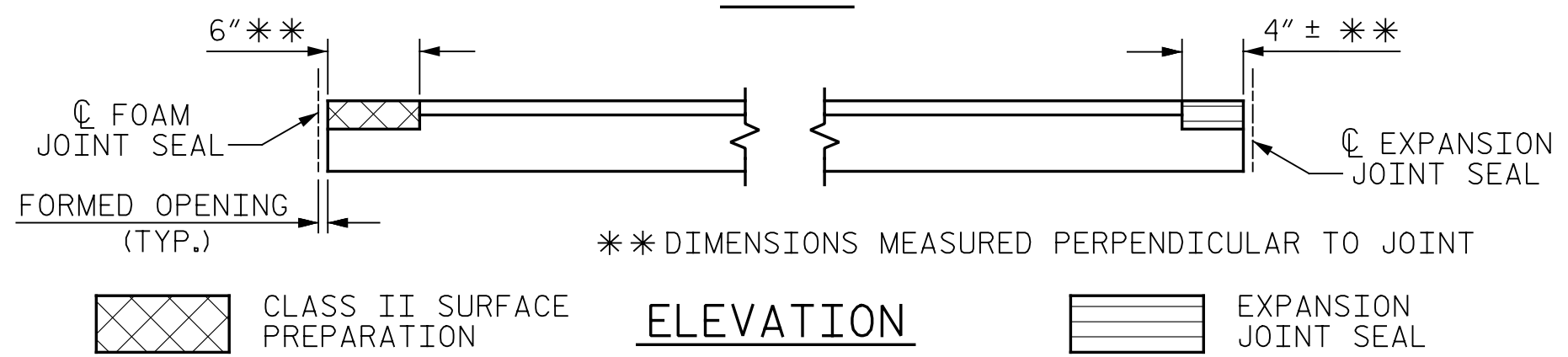
**PLAN**



**STAGED PC OVERLAY CONSTRUCTION JOINT**



**DETAIL OF POLYMER CONCRETE OVERLAY**



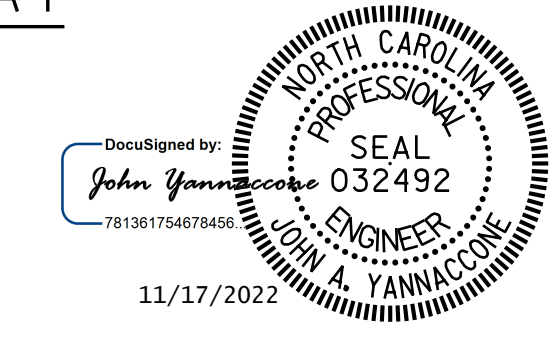
\*\* DIMENSIONS MEASURED PERPENDICULAR TO JOINT

**ELEVATION**

**PAY LIMITS FOR OVERLAY BID ITEMS**

DRAWN BY: J. HARRIS DATE: 10/2022  
 CHECKED BY: J. YANNACCONE DATE: 10/2022

PROJECT NO. I-5955  
 GUILFORD COUNTY  
 BRIDGE NO. 400367



STATE OF NORTH CAROLINA  
 DEPARTMENT OF TRANSPORTATION  
 RALEIGH  
**TYPICAL SECTION AND SURFACE PREPARATION DETAILS**



DOCUMENT NOT CONSIDERED FINAL UNLESS ALL SIGNATURES COMPLETED

REVISIONS						SHEET NO.
NO.	BY:	DATE:	NO.	BY:	DATE:	S13-3
1			3			TOTAL SHEETS
2			4			127