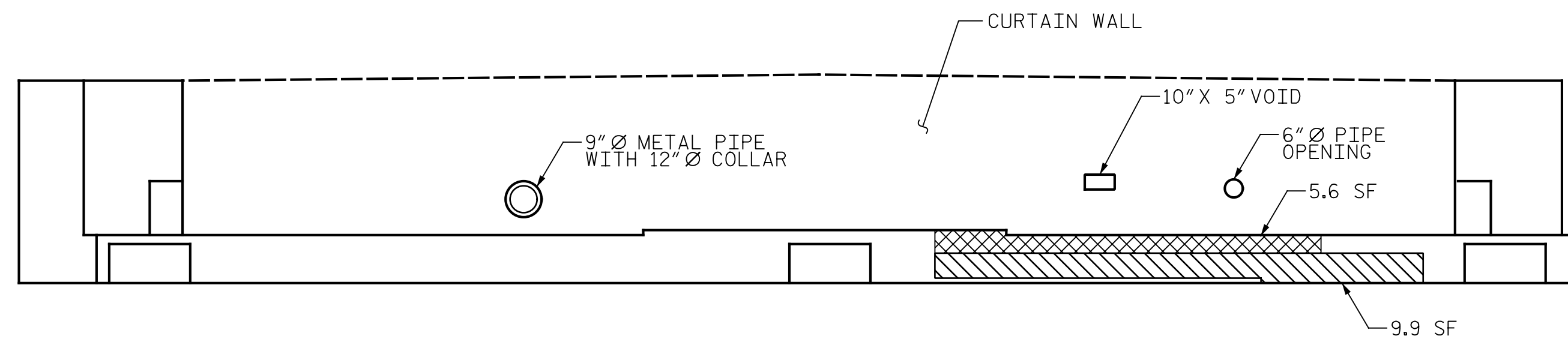
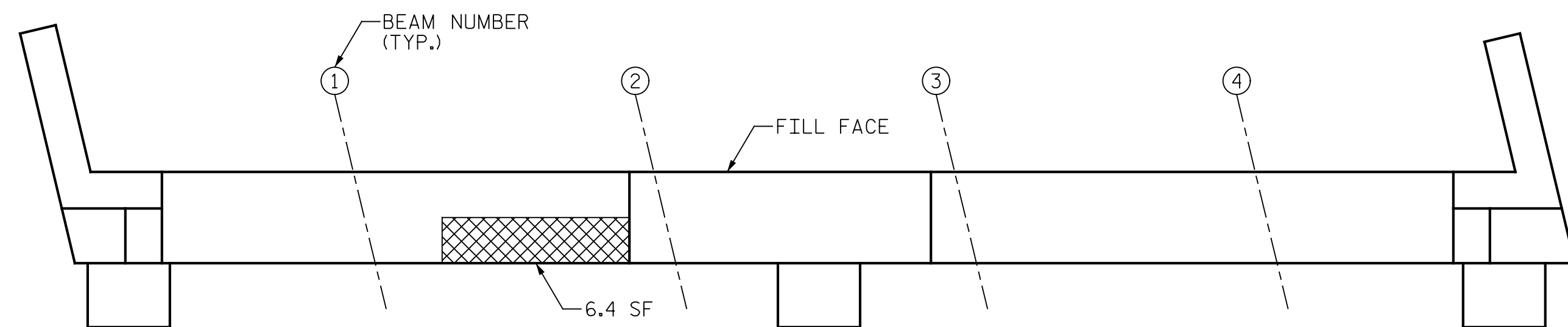


PLAN

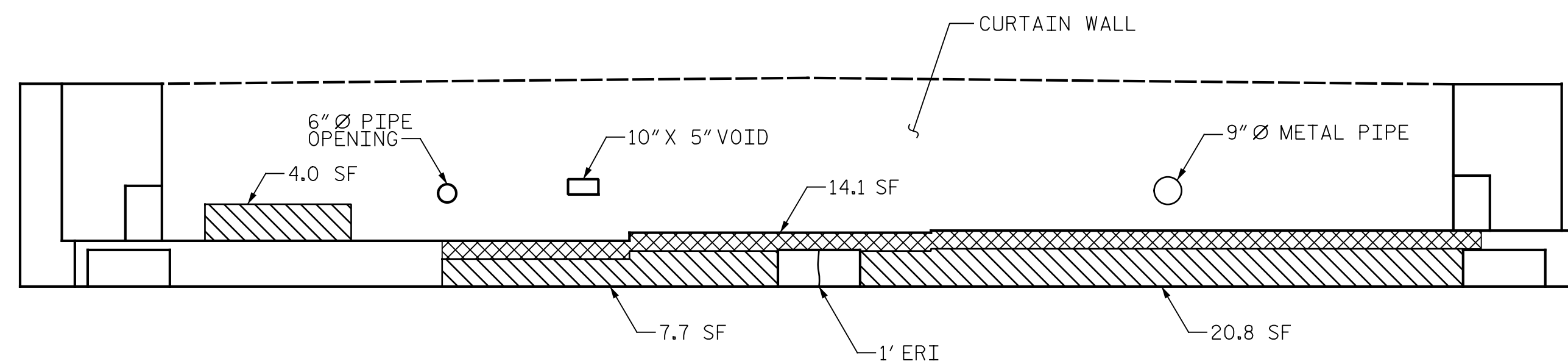


ELEVATION
END BENT 1

- SHOTCRETE REPAIR
- CONCRETE REPAIR (FORM & POUR)
- ERI - EPOXY RESIN INJECTION



PLAN



ELEVATION
END BENT 2

DRAWN BY : J. HARRIS DATE : 10/2022
 CHECKED BY : J. YANACCONE DATE : 10/2022

| AS-BUILT REPAIR QUANTITY TABLE | | | | | |
|--------------------------------|------------|-----------|-----------|----------|-----------|
| END BENT 1 REPAIRS | QUANTITIES | | | | |
| | ESTIMATE | | ACTUAL | | |
| SHOTCRETE REPAIRS | AREA SF | VOLUME CF | AREA SF | DEPTH FT | VOLUME CF |
| CAP | 9.9 | 5.0 | | | |
| CURTAIN WALL | 0.0 | 0.0 | | | |
| CONCRETE REPAIRS | 14.3 | 7.2 | | | |
| EPOXY RESIN INJECTION | | LENGTH LF | LENGTH LF | | |
| CAP | | 0.0 | | | |
| CURTAIN WALL | | 0.0 | | | |
| EPOXY COATING | | SQ. FT | SQ. FT | | |
| TOP OF BENT CAP | | 0 | | | |
| END BENT 2 REPAIRS | QUANTITIES | | | | |
| | ESTIMATE | | ACTUAL | | |
| SHOTCRETE REPAIRS | AREA SF | VOLUME CF | AREA SF | DEPTH FT | VOLUME CF |
| CAP | 28.5 | 14.3 | | | |
| CURTAIN WALL | 4.0 | 2.0 | | | |
| CONCRETE REPAIRS | 20.5 | 10.3 | | | |
| EPOXY RESIN INJECTION | | LENGTH LF | LENGTH LF | | |
| CAP | | 1.0 | | | |
| CURTAIN WALL | | 0.0 | | | |
| EPOXY COATING | | SQ. FT | SQ. FT | | |
| TOP OF BENT CAP | | 0 | | | |

VALUES IN CHART REPRESENT ESTIMATED REPAIR TOTALS AFTER REMOVAL OF UNSOUND CONCRETE, MINIMUM OF 1" BEHIND REBAR AND MINIMUM OF 2" CLEARANCE TO SAWCUT. FOR REPAIR DETAILS, SEE "TYPICAL CAP AND COLUMN REPAIR DETAILS" SHEET.

NOTES:

REPAIR LOCATIONS AND ESTIMATE OF QUANTITIES ARE GIVEN WITH THE BEST INFORMATION AVAILABLE. IF ADDITIONAL REPAIRS NOT SHOWN ON THE DRAWINGS ARE DEEMED NECESSARY BY THE ENGINEER, THE ENGINEER WILL NOTE ON THE DRAWINGS THE APPROXIMATE LOCATION AND DESCRIPTION OF THE REPAIRS AND ADJUST THE ACTUAL QUALITIES ENTERED INTO THE AS-BUILT REPAIR QUANTITY TABLE.

CONTRACTOR SHALL SAW CUT TO A MINIMUM DEPTH OF 1/2" BUT REINFORCING STEEL SHALL NOT BE DAMAGED

CONTRACTOR SHALL REMOVE SURFACE CONCRETE TO VERIFY THAT SAW CUT DEPTH WILL NOT DAMAGE EXISTING REINFORCING STEEL.

CONTRACTOR SHALL SAW CUT THE REPAIR AREAS SO THAT THE CORNERS ARE SQUARE AS INDICATED ON THE DETAILS.

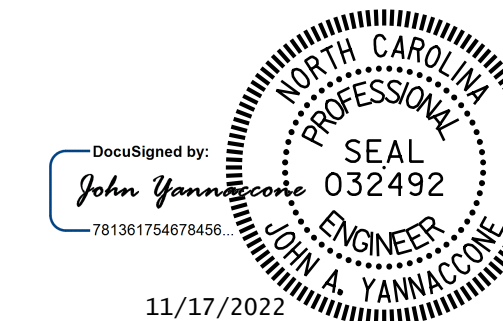
FOR CONCRETE REPAIRS, SEE SPECIAL PROVISIONS.

FOR SHOTCRETE REPAIRS, SEE SPECIAL PROVISIONS.

SHOTCRETE REPAIRS MAY BE REPLACED WITH CONCRETE REPAIRS WITH THE APPROVAL OF THE ENGINEER.

FOR EPOXY RESIN INJECTION, SEE SPECIAL PROVISIONS.

PROJECT NO. I-5955
 _____ GUILFORD COUNTY
 BRIDGE NO. 400329



STATE OF NORTH CAROLINA
 DEPARTMENT OF TRANSPORTATION
 RALEIGH

END BENT 1 & 2



DOCUMENT NOT CONSIDERED FINAL UNLESS ALL SIGNATURES COMPLETED

| NO. | REVISIONS | | | | | | SHEET NO. |
|-----|-----------|-------|-----|-----|-------|--------------|-----------|
| | BY: | DATE: | NO. | BY: | DATE: | TOTAL SHEETS | |
| 1 | | | 3 | | | 127 | |
| 2 | | | 4 | | | | |