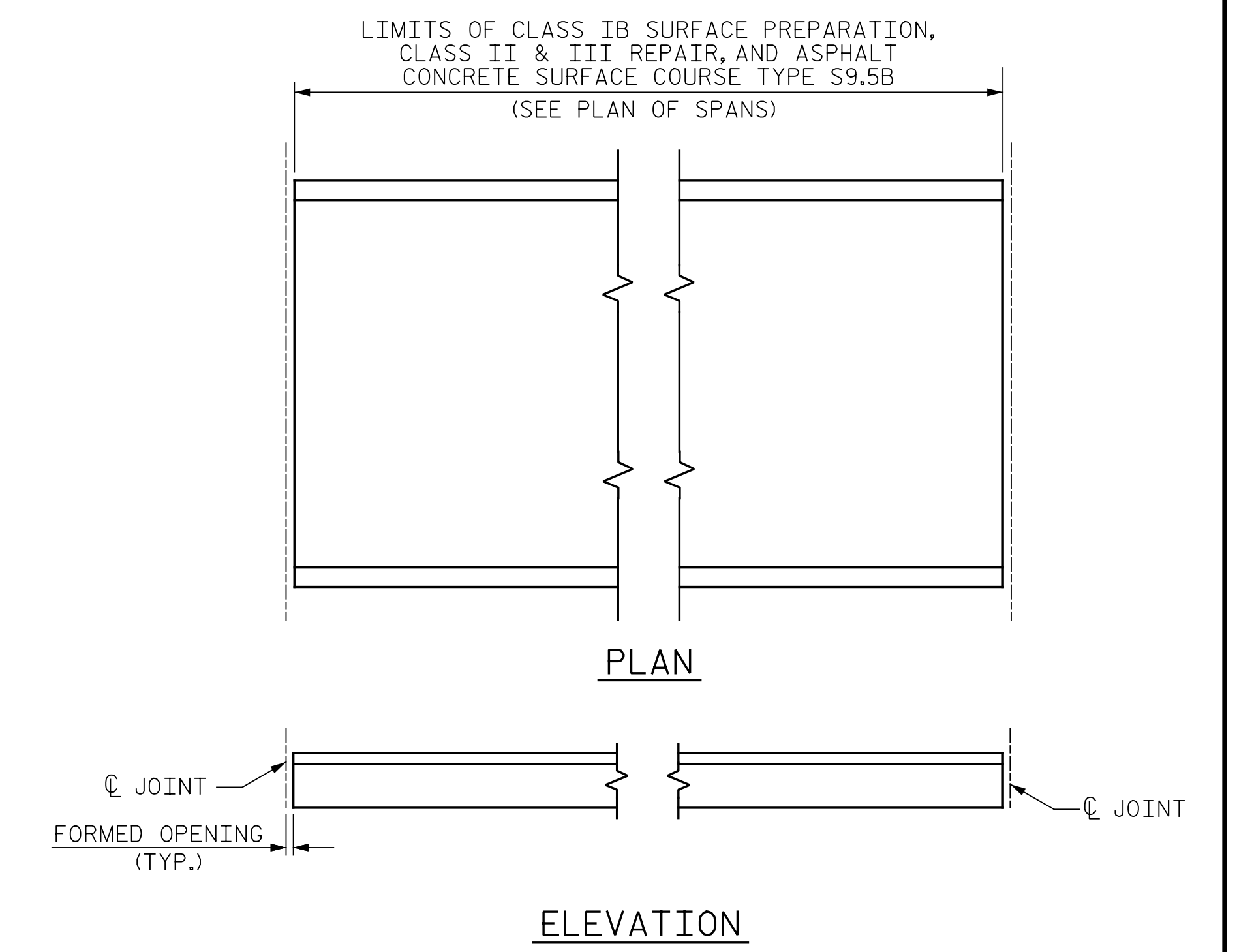
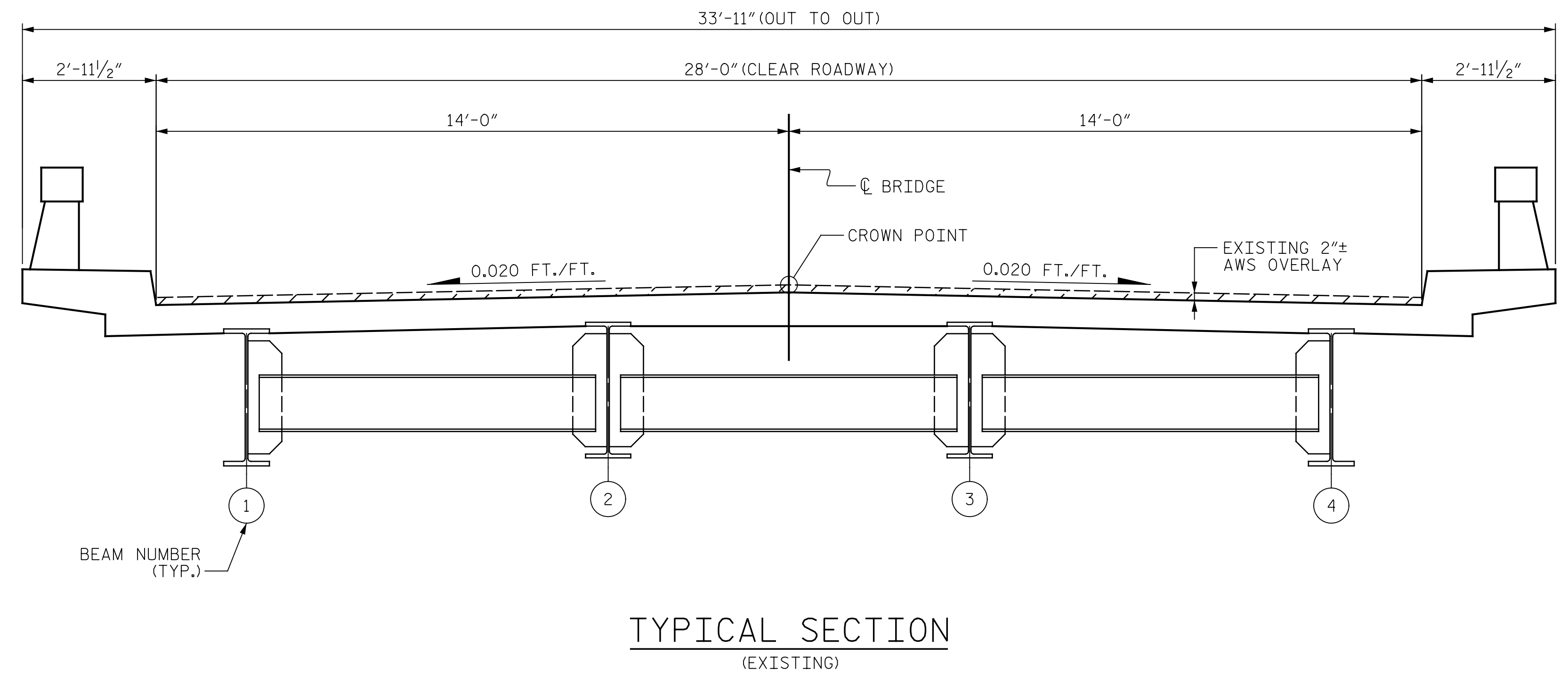
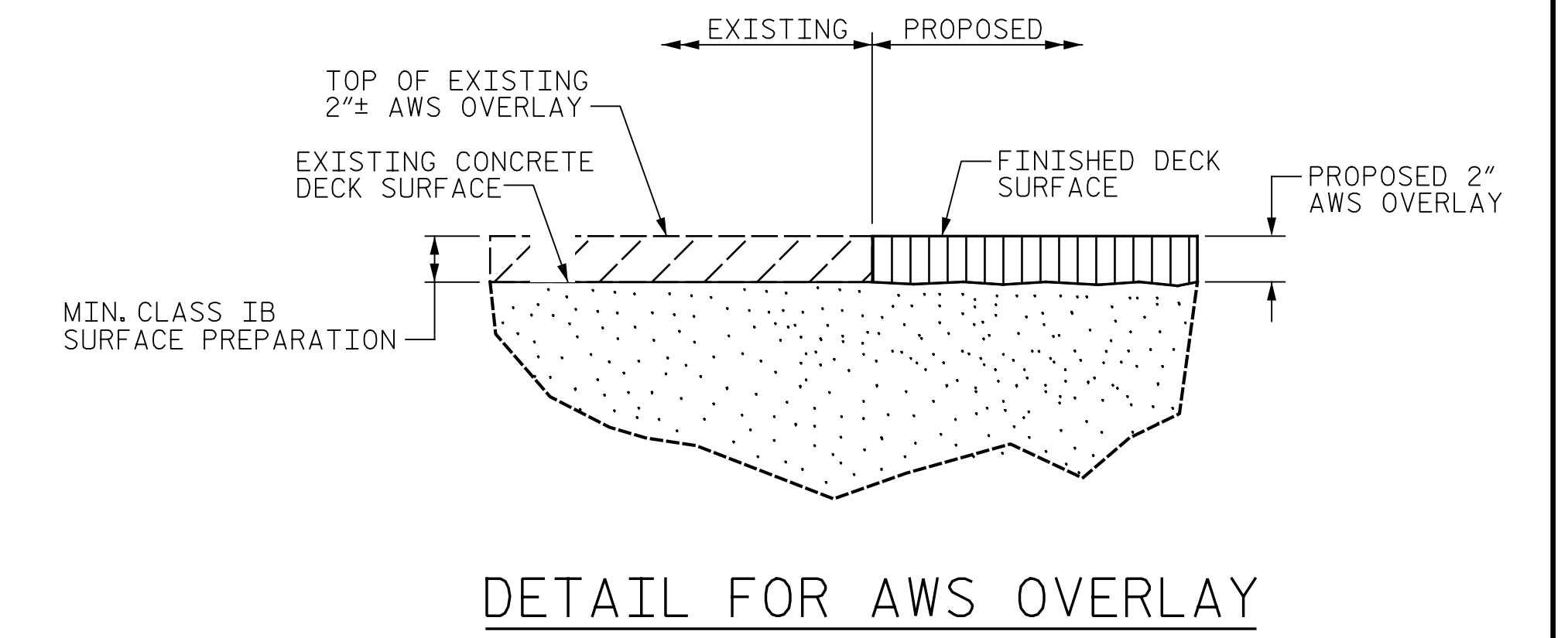
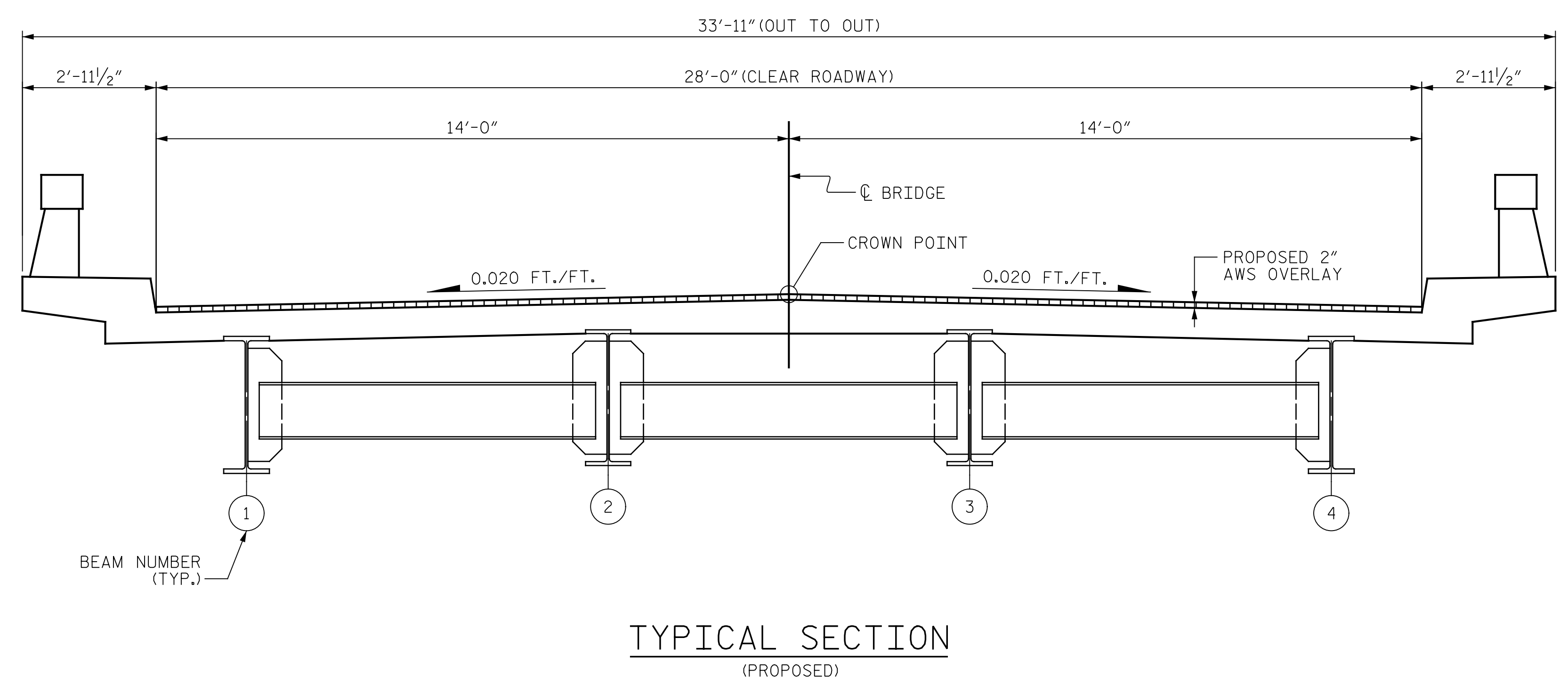


p:\gfn\p-w\ben\p-w-01\Documents\Projects\67945\5-Work\Task 010 - I-5955 Greensboro Rehab\Structures\CAD\2.0 100% Plans\405_005_I-5955_SMU_TS_003_400329
 I:\17\2022 9:53:24 AM pdf_color_gfctt_FS.plt I-5955.tbl

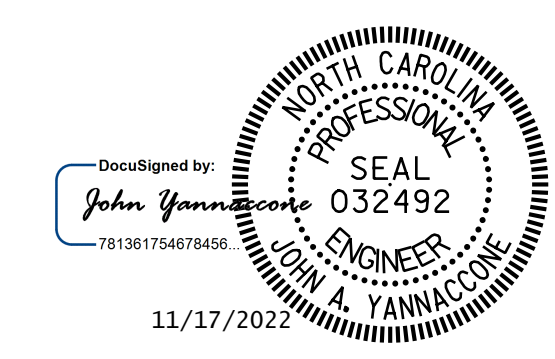
NOTES:
 SEE TRAFFIC MANAGEMENT PLANS FOR LANE WIDTHS, SEQUENCING, AND OTHER TRAFFIC CONTROL MEASURES FOR STAGING OF OVERLAY SURFACE PREPARATION AND ASPHALT WEARING SURFACE (AWS) PLACEMENT.



PAY LIMITS FOR OVERLAY BID ITEMS



PROJECT NO. I-5955
GUILFORD COUNTY
 BRIDGE NO. 400329



STATE OF NORTH CAROLINA
 DEPARTMENT OF TRANSPORTATION
 RALEIGH

TYPICAL SECTION AND SURFACE PREPARATION DETAILS

DRAWN BY : J. HARRIS DATE : 10/2022
 CHECKED BY : J. YANNACCONE DATE : 10/2022



DOCUMENT NOT CONSIDERED FINAL UNLESS ALL SIGNATURES COMPLETED

REVISIONS						SHEET NO.
NO.	BY:	DATE:	NO.	BY:	DATE:	TOTAL SHEETS
1			3			127
2			4			