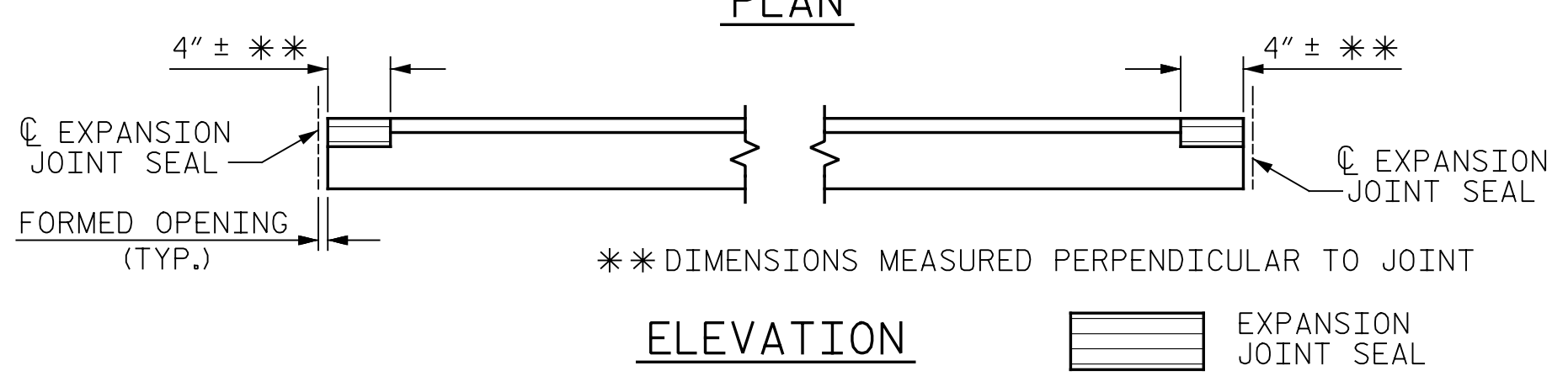
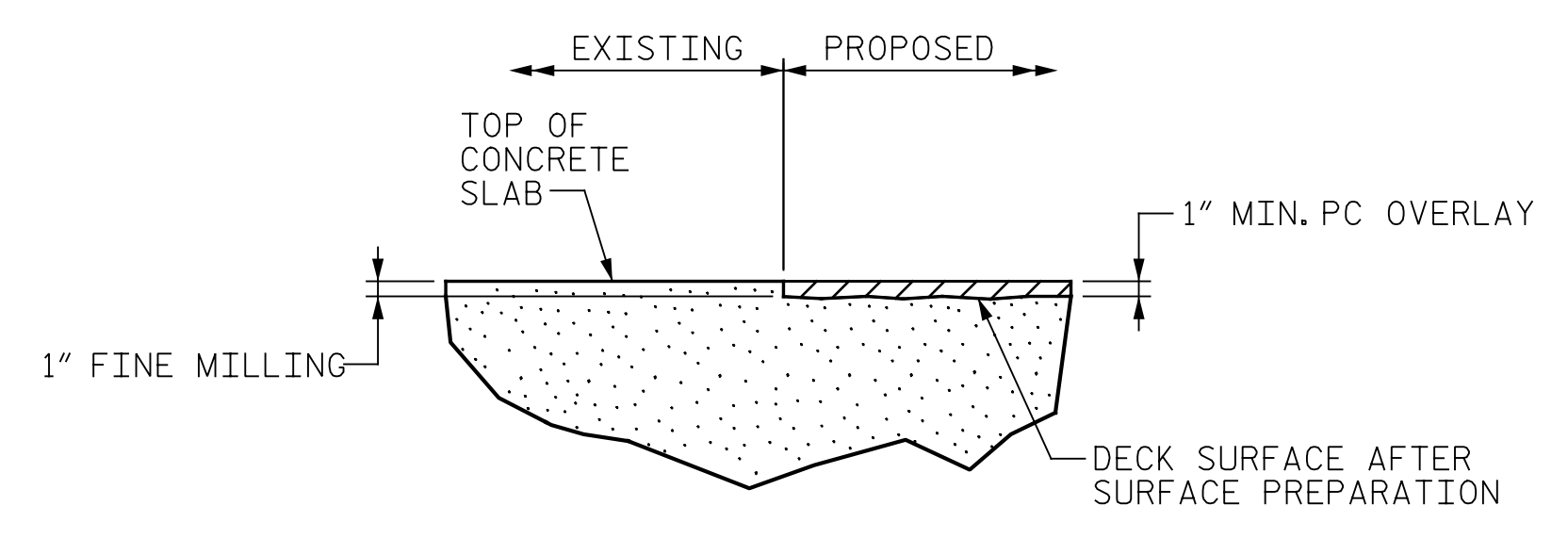
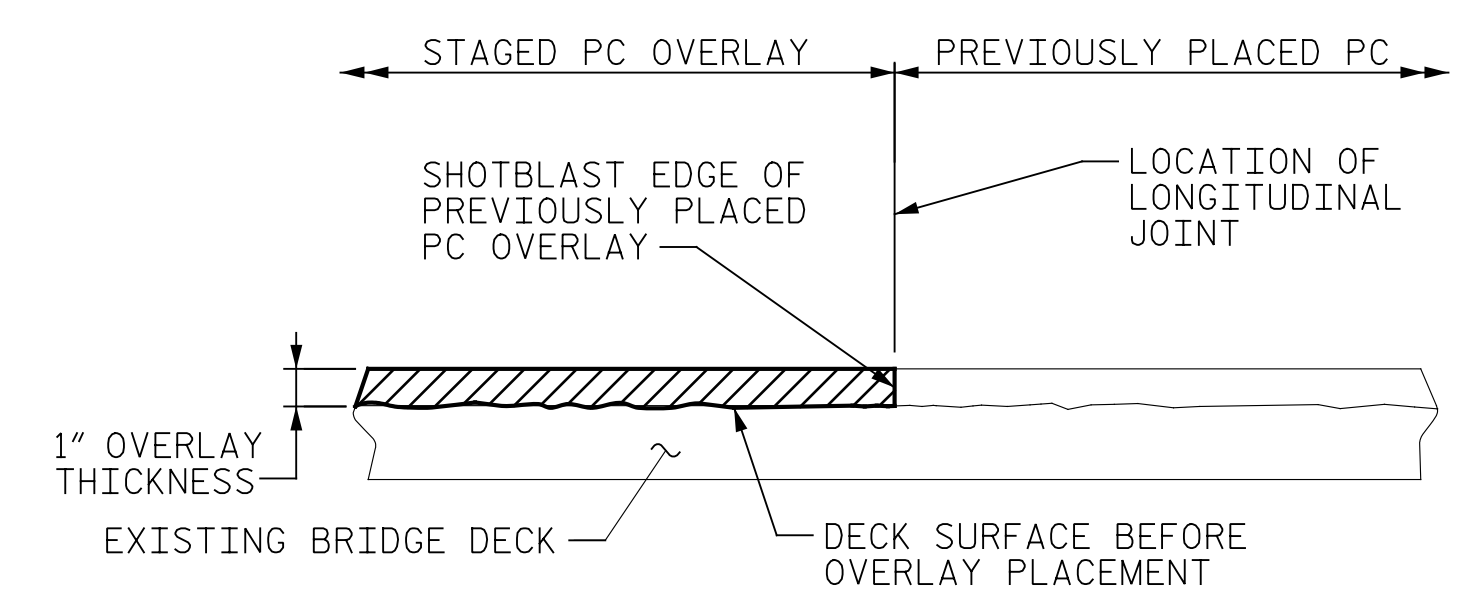
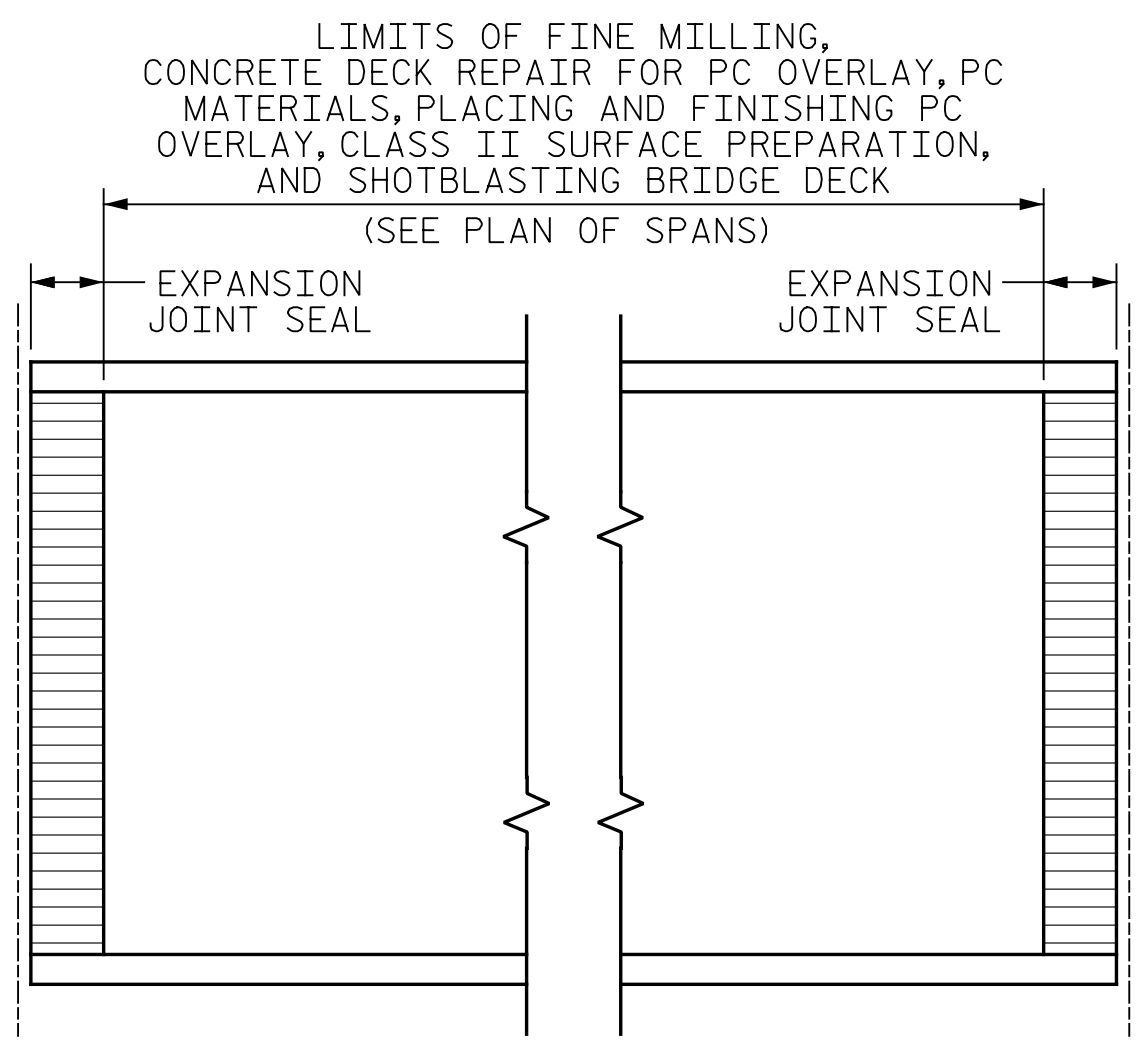
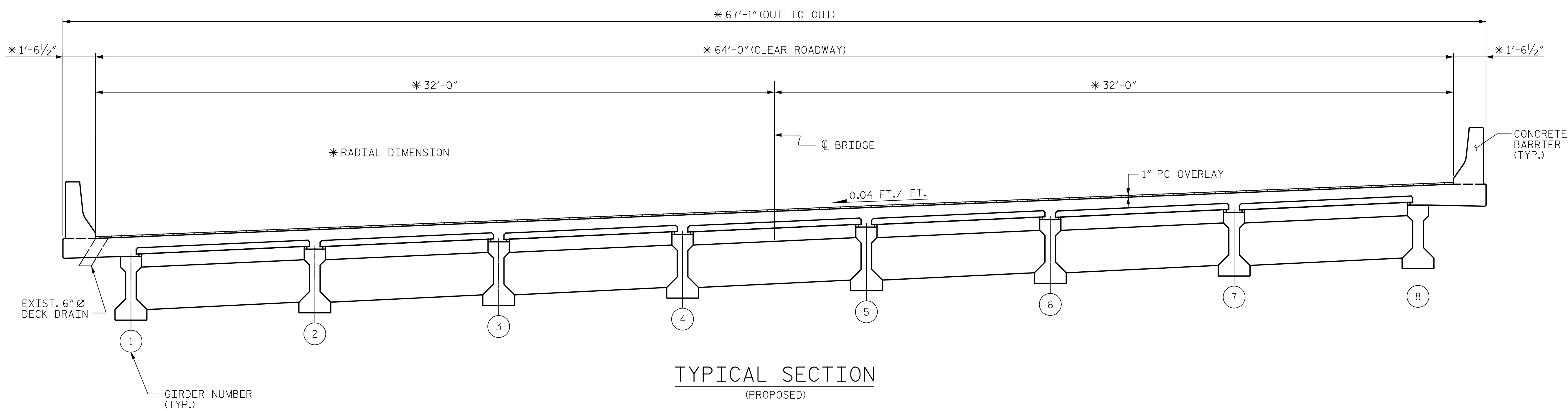


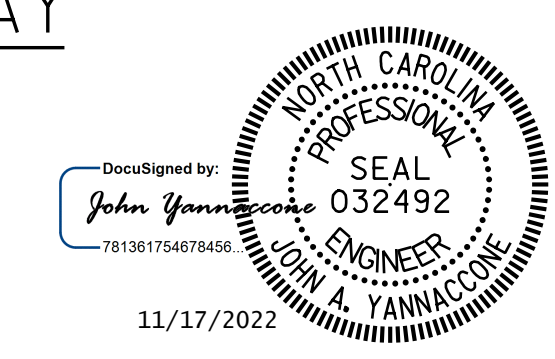
p:\gfnat-pw\benfley.com\gfnat-pw-01\Documents\Projects\67945\5-Work\King\Task 010 - I-5955 Greensboro Rehb\Structures\CAD\2.0 100% Plans\404\_005\_I-5955\_SMU\_TS\_003\_400327  
11/17/2022 9:47:30 AM pdf\_color\_gfctt\_FS.plt I-5955.tbl

**NOTES:**  
SEE TRANSPORTATION MANAGEMENT PLANS FOR LANE WIDTHS, SEQUENCING AND OTHER TRAFFIC CONTROL MEASURES FOR STAGING OF OVERLAY SURFACE PREPARATION AND PC PLACEMENT.



PROJECT NO. I-5955  
GUILFORD COUNTY  
BRIDGE NO. 400327

STATE OF NORTH CAROLINA  
DEPARTMENT OF TRANSPORTATION  
RALEIGH  
**TYPICAL SECTION AND SURFACE PREPARATION DETAILS**



**PAY LIMITS FOR OVERLAY BID ITEMS**

DRAWN BY: J. HARRIS DATE: 10/2022  
CHECKED BY: J. YANNACCONE DATE: 10/2022



DOCUMENT NOT CONSIDERED FINAL UNLESS ALL SIGNATURES COMPLETED

| REVISIONS |     |       |     |     |       | SHEET NO.        |
|-----------|-----|-------|-----|-----|-------|------------------|
| NO.       | BY: | DATE: | NO. | BY: | DATE: |                  |
| 1         |     |       | 3   |     |       | S4-3             |
| 2         |     |       | 4   |     |       | TOTAL SHEETS 127 |