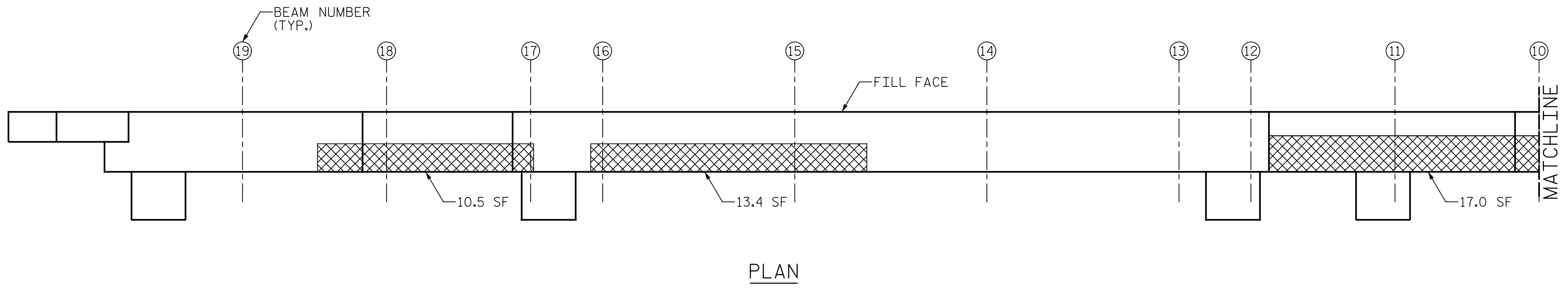
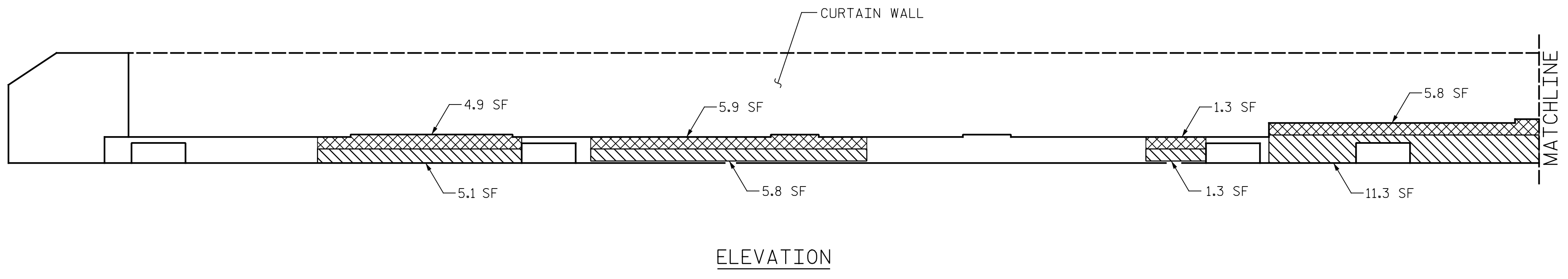


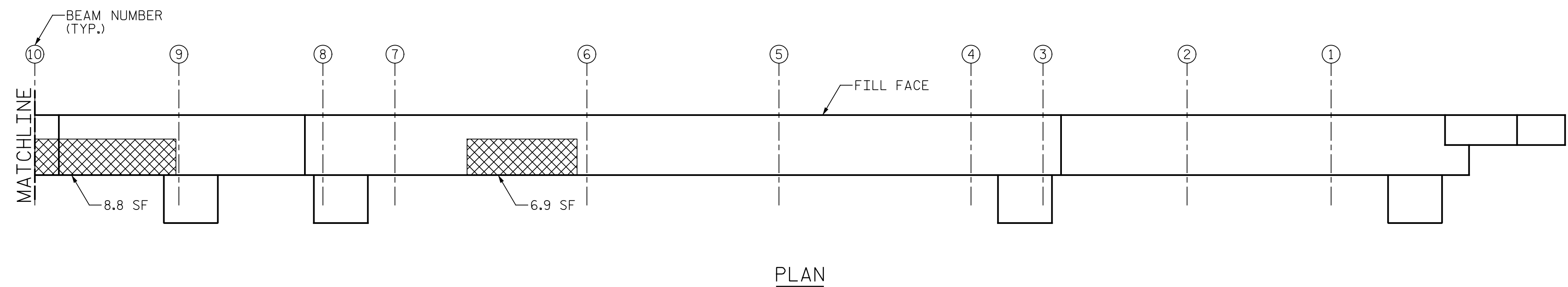
p:\gfn\et-pw\benfley.com\gfn\et-pw-01\Documents\Projects\67945\5-WorKing\Task 010 - I-5955 Greensboro Rehab\Structures\CAD\2.0 100% Plans\403_013_I-5955_SMU_E01_007_400299
 I:\17\2022 9:46:53 AM pdf_color_gfclt_FS.plt I-5955.tbl



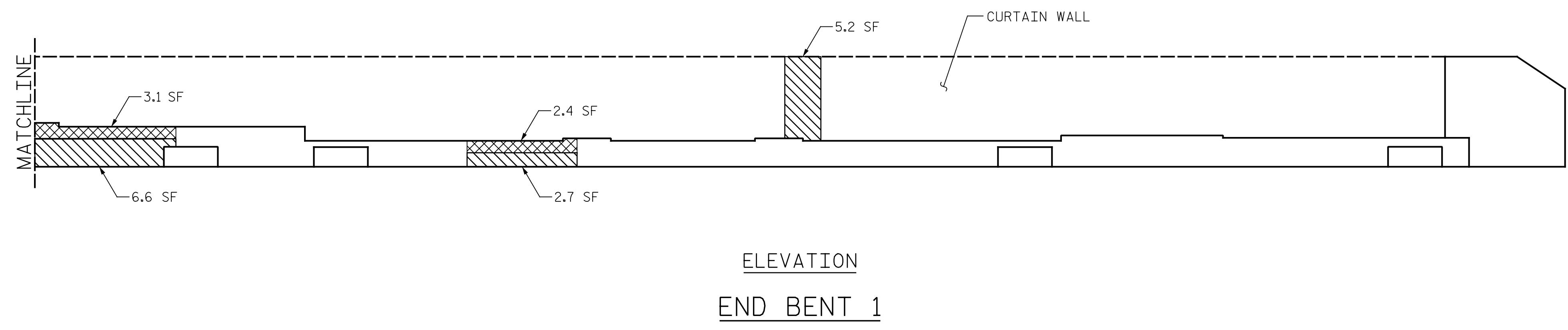
PLAN



ELEVATION
END BENT 1



PLAN



ELEVATION
END BENT 1

AS-BUILT REPAIR QUANTITY TABLE

END BENT 1 REPAIRS	QUANTITIES				
	ESTIMATE		ACTUAL		
SHOTCRETE REPAIRS	AREA SF	VOLUME CF	AREA SF	DEPTH FT	VOLUME CF
CAP	32.8	16.4			
CURTAIN WALL	5.2	2.6			
CONCRETE REPAIRS	80.0	40.0			
EPOXY RESIN INJECTION	LENGTH LF		LENGTH LF		
CAP	0.0				
CURTAIN WALL	0.0				
EPOXY COATING	SQ. FT		SQ. FT		
TOP OF BENT CAP	0				

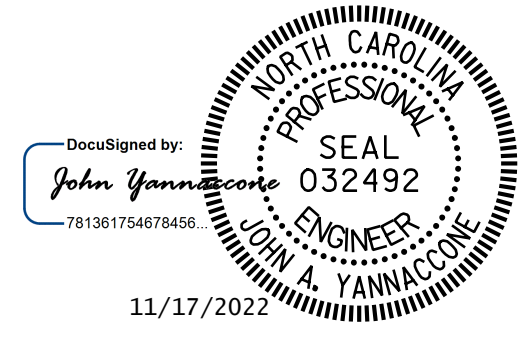
VALUES IN CHART REPRESENT ESTIMATED REPAIR TOTALS AFTER REMOVAL OF UNSOUND CONCRETE, MINIMUM OF 1" BEHIND REBAR AND MINIMUM OF 2" CLEARANCE TO SAWCUT. FOR REPAIR DETAILS, SEE "TYPICAL CAP AND COLUMN REPAIR DETAILS" SHEET.

NOTES:
 REPAIR LOCATIONS AND ESTIMATE OF QUANTITIES ARE GIVEN WITH THE BEST INFORMATION AVAILABLE. IF ADDITIONAL REPAIRS NOT SHOWN ON THE DRAWINGS ARE DEEMED NECESSARY BY THE ENGINEER, THE ENGINEER WILL NOTE ON THE DRAWINGS THE APPROXIMATE LOCATION AND DESCRIPTION OF THE REPAIRS AND ADJUST THE ACTUAL QUANTITIES ENTERED INTO THE AS-BUILT REPAIR QUANTITY TABLE.

CONTRACTOR SHALL SAW CUT TO A MINIMUM DEPTH OF 1/2" BUT REINFORCING STEEL SHALL NOT BE DAMAGED
 CONTRACTOR SHALL REMOVE SURFACE CONCRETE TO VERIFY THAT SAW CUT DEPTH WILL NOT DAMAGE EXISTING REINFORCING STEEL.
 CONTRACTOR SHALL SAW CUT THE REPAIR AREAS SO THAT THE CORNERS ARE SQUARE AS INDICATED ON THE DETAILS.
 FOR CONCRETE REPAIRS, SEE SPECIAL PROVISIONS.
 FOR SHOTCRETE REPAIRS, SEE SPECIAL PROVISIONS.
 SHOTCRETE REPAIRS MAY BE REPLACED WITH CONCRETE REPAIRS WITH THE APPROVAL OF THE ENGINEER.
 FOR EPOXY RESIN INJECTION, SEE SPECIAL PROVISIONS.

- SHOTCRETE REPAIR
- CONCRETE REPAIR (FORM & POUR)
- ERI - EPOXY RESIN INJECTION

PROJECT NO. I-5955
GUILFORD COUNTY
 BRIDGE NO. 400299



STATE OF NORTH CAROLINA
 DEPARTMENT OF TRANSPORTATION
 RALEIGH

END BENT 1

DRAWN BY : J. HARRIS DATE : 10/2022
 CHECKED BY : J. YANNACCONE DATE : 10/2022



DOCUMENT NOT CONSIDERED FINAL UNLESS ALL SIGNATURES COMPLETED

REVISIONS						SHEET NO.
NO.	BY:	DATE:	NO.	BY:	DATE:	
1			3			S3-7
2			4			TOTAL SHEETS 127