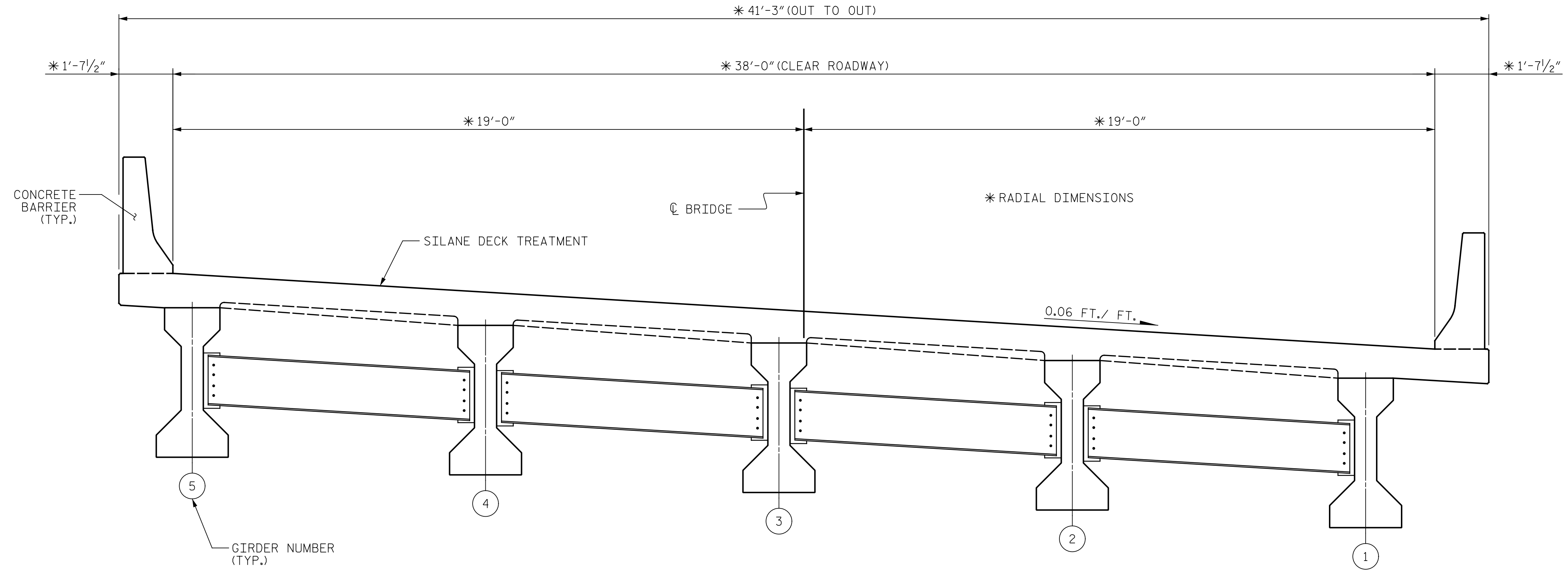
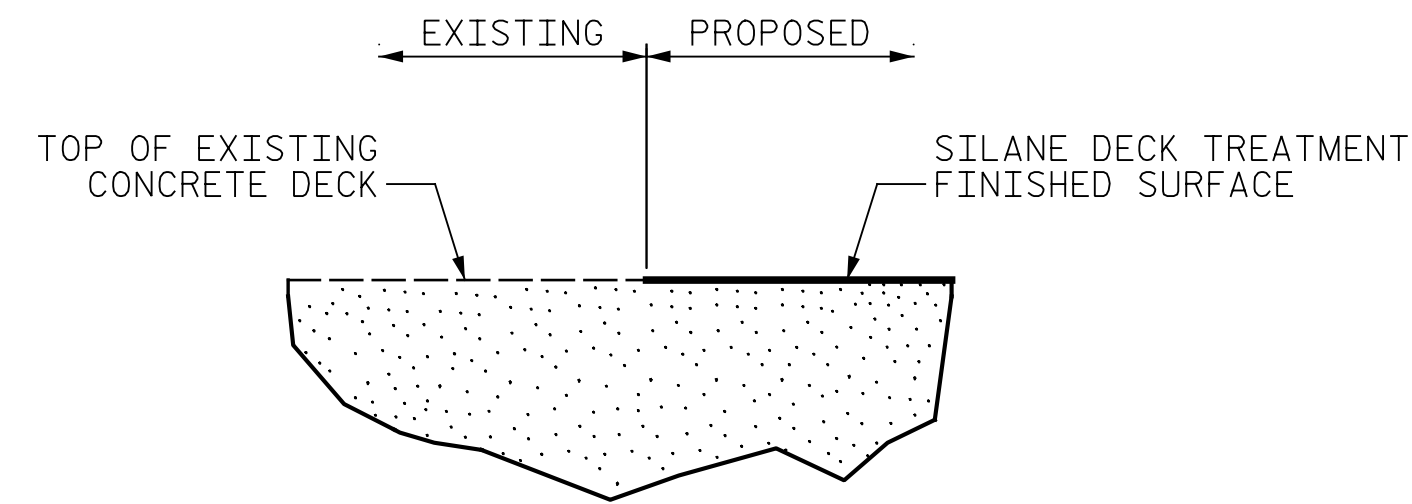


**NOTES:**

SEE TRAFFIC MANAGEMENT PLANS FOR LANE WIDTHS, SEQUENCING, AND OTHER TRAFFIC CONTROL MEASURES FOR STAGING OF OVERLAY SURFACE PREPARATION FOR SILANE DECK TREATMENT.



**TYPICAL SECTION**  
(PROPOSED)

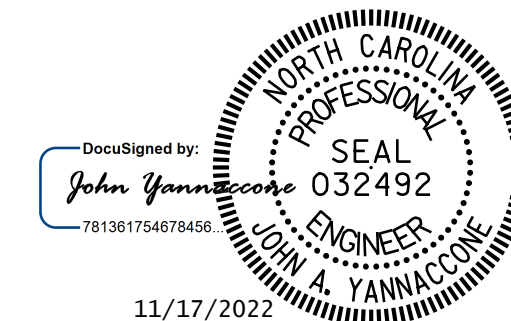


**DETAIL OF SILANE DECK TREATMENT**

PROJECT NO. I-5955  
GUILFORD COUNTY  
 BRIDGE NO. 400291

STATE OF NORTH CAROLINA  
 DEPARTMENT OF TRANSPORTATION  
 RALEIGH

**TYPICAL SECTION AND SURFACE PREPARATION DETAILS**



DOCUMENT NOT CONSIDERED FINAL UNLESS ALL SIGNATURES COMPLETED

REVISIONS						SHEET NO.
NO.	BY:	DATE:	NO.	BY:	DATE:	TOTAL SHEETS
1			3			S2-3
2			4			127

DRAWN BY : J. HARRIS DATE : 10/2022  
 CHECKED BY : J. YANNACCONE DATE : 10/2022

p:\gfn\p-w\benfley.com\gfn\p-w-01\Documents\Projects\67945\5-Working\Task 010 - I-5955 Greensboro Rehab\Structures\CAD\2.0 100% Plans\402\_005\_I-5955\_SMU\_TS\_003\_400291  
 I:\17\2022 9:46:10 AM pdf\_color\_gfclt\_FS.plt I-5995.tbl