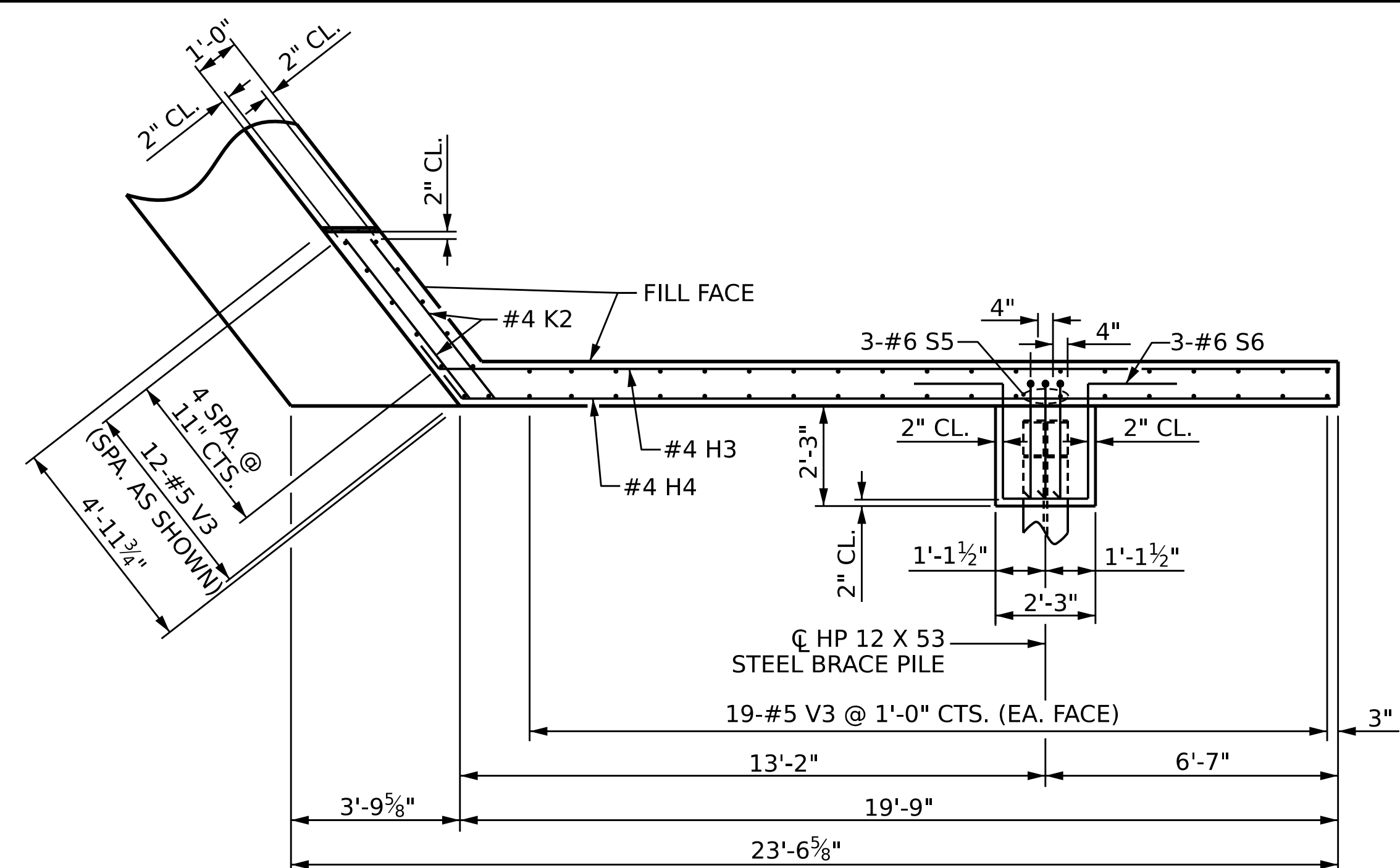
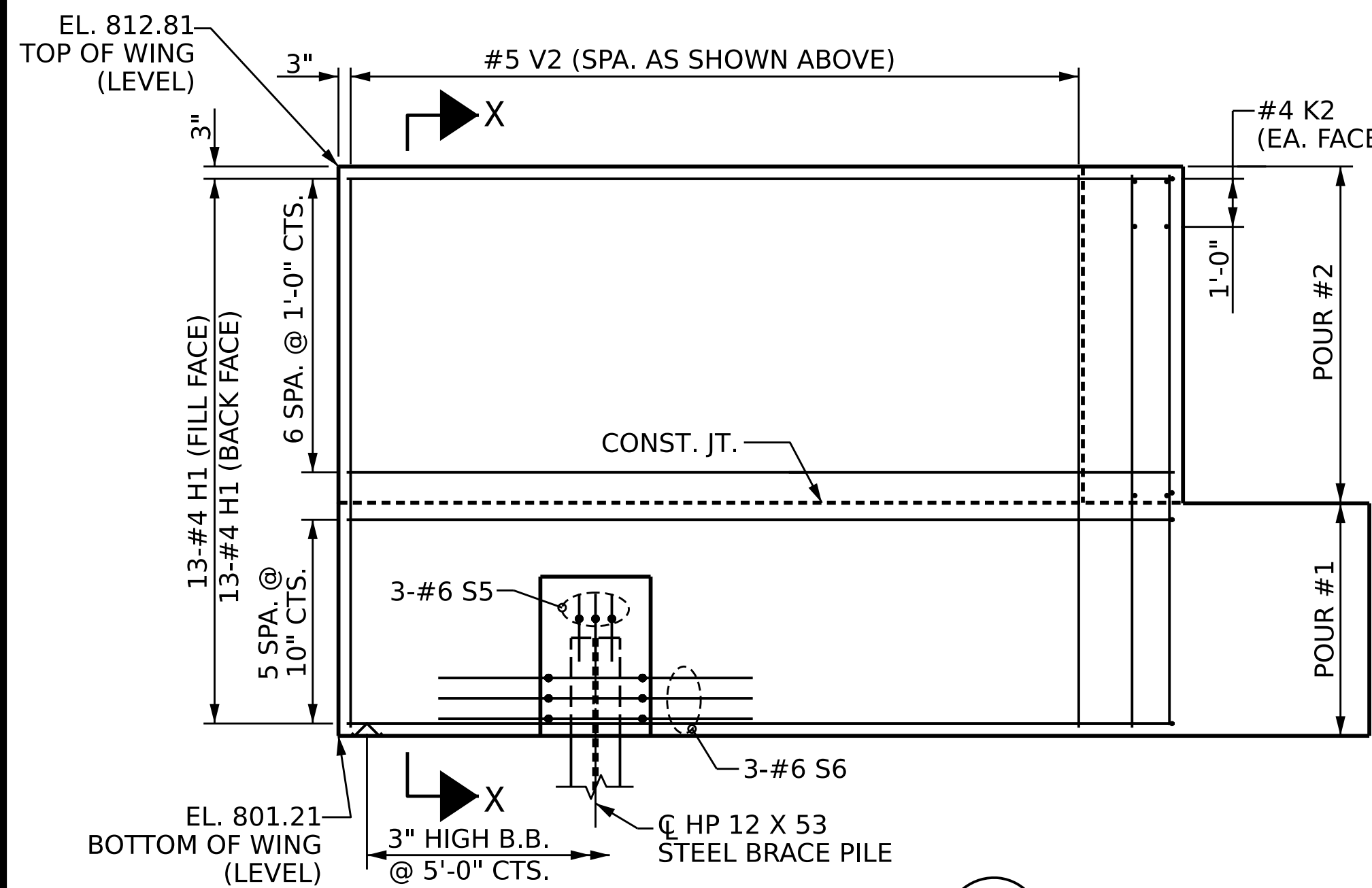


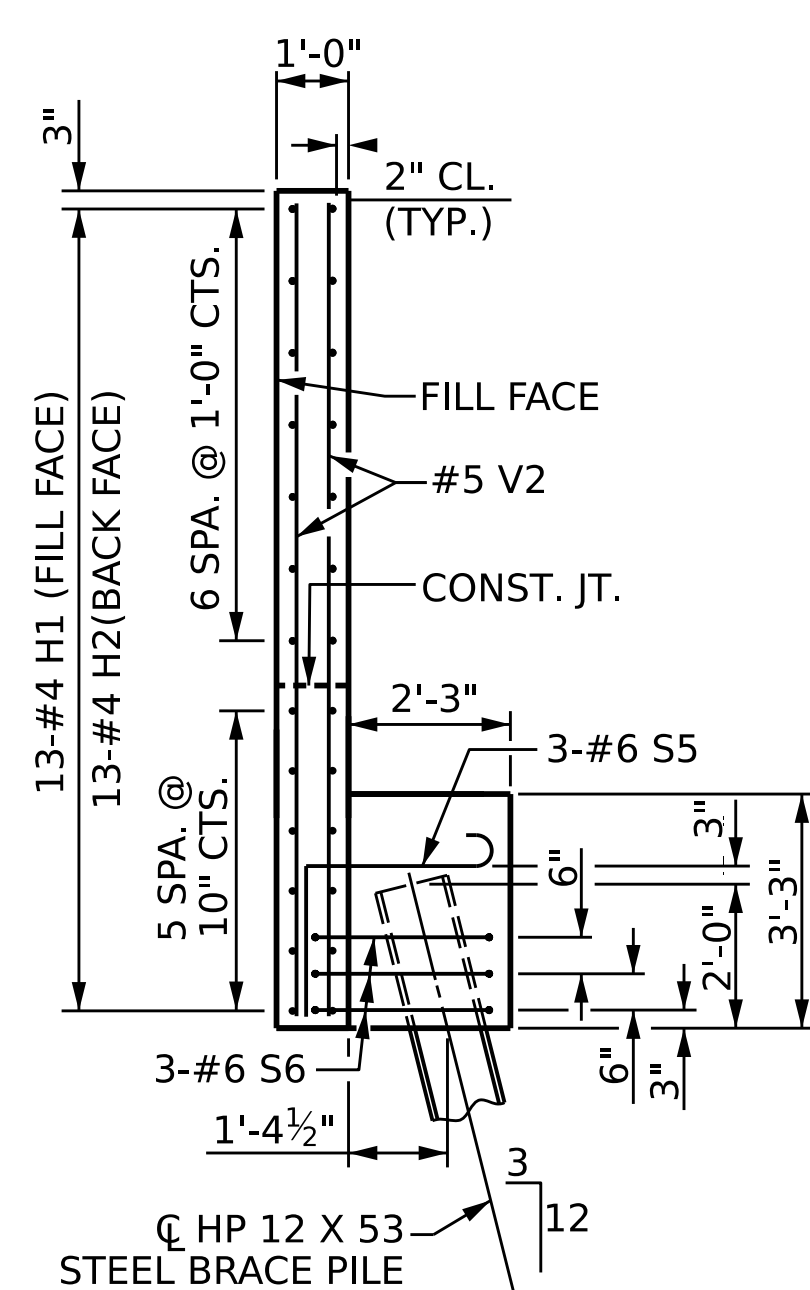
PLAN OF WING (W1)



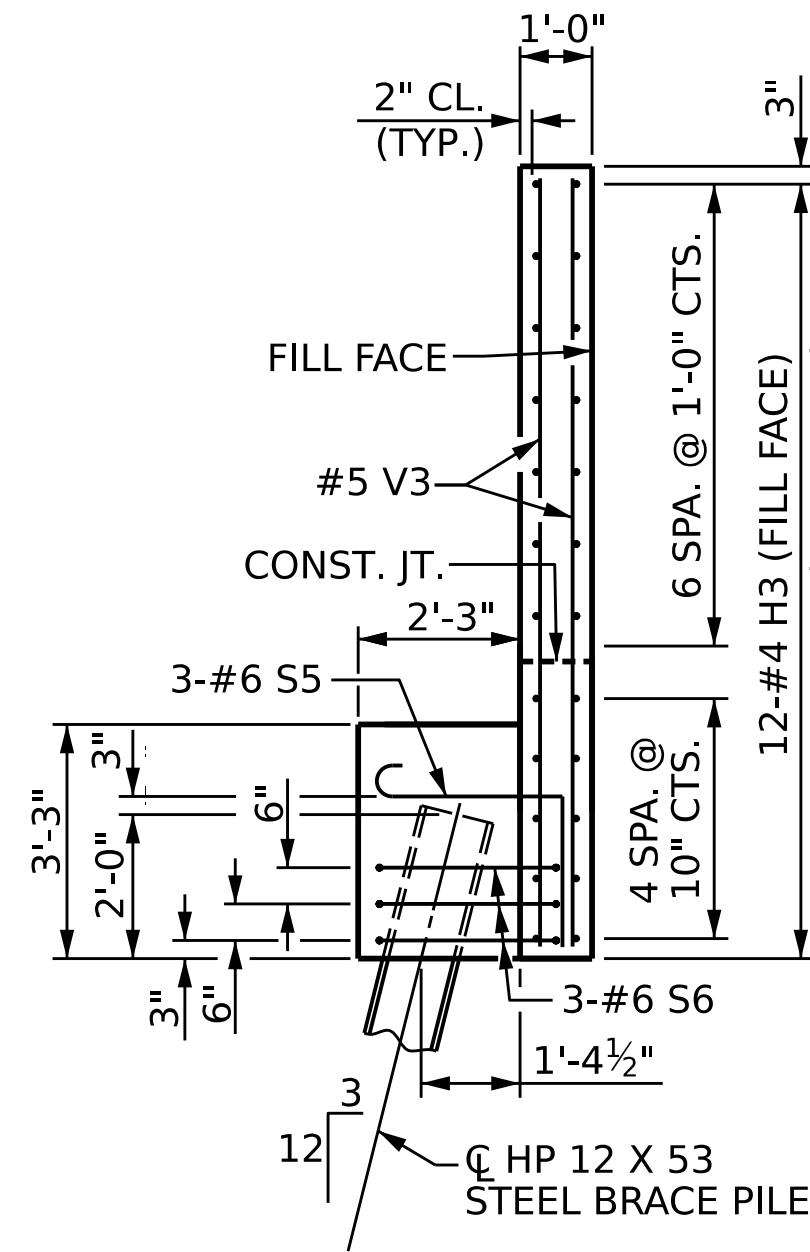
PLAN OF WING (W2)



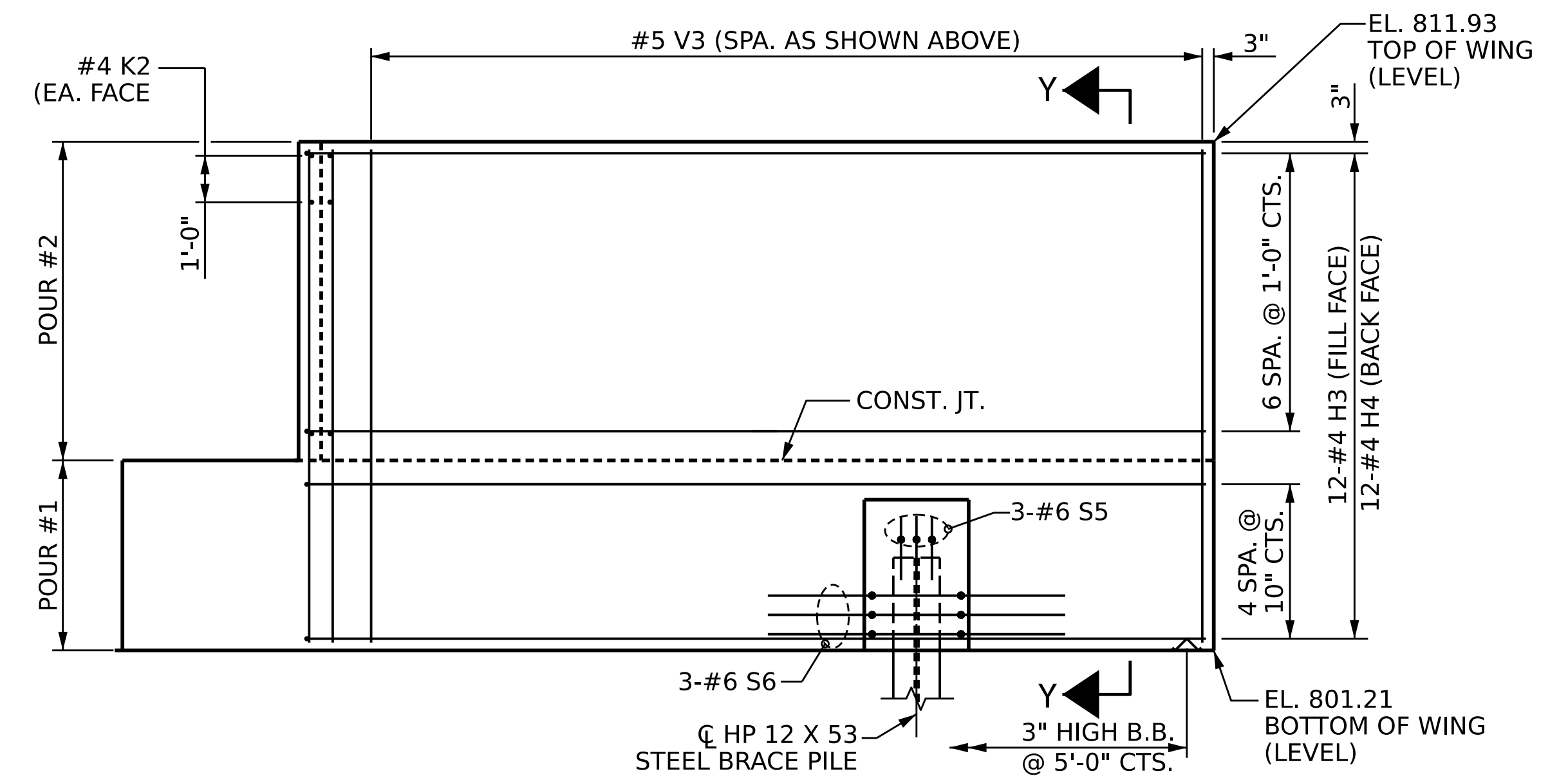
ELEVATION OF WING (W1)



SECTION X-X



SECTION Y-Y



ELEVATION OF WING (W2)

PROJECT NO. BR-0094  
 ROCKINGHAM COUNTY  
 STATION: 20+38.70 -L-

SHEET 2 OF 3



Designed by  
 Francesca Lea  
 11/16/2022

STATE OF NORTH CAROLINA  
 DEPARTMENT OF TRANSPORTATION  
 RALEIGH

SUBSTRUCTURE  
 END BENT 2

DRAWN BY : Q. T. NGUYEN DATE : 08/2022  
 CHECKED BY : F. LEA DATE : 09/2022  
 DESIGN ENGINEER OF RECORD : F. LEA DATE : 09/2022

DOCUMENT NOT CONSIDERED  
 FINAL UNLESS ALL  
 SIGNATURES COMPLETED

REVISIONS		SHEET NO.	
NO.	DATE	NO.	DATE
1		3	
2		4	
		TOTAL SHEETS: 30	